



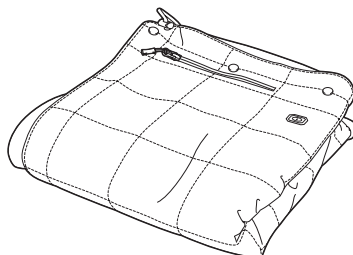
EN

Cordless Heated Blanket

INSTRUCTION MANUAL

IMPORTANT: Read Before Using.

CB100D
DCB200



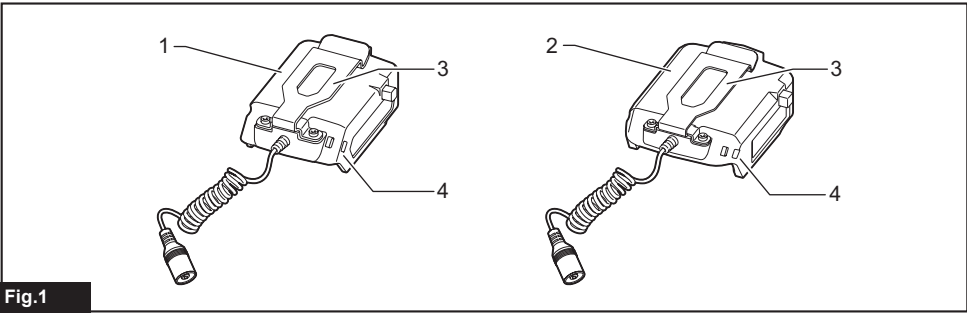


Fig.1

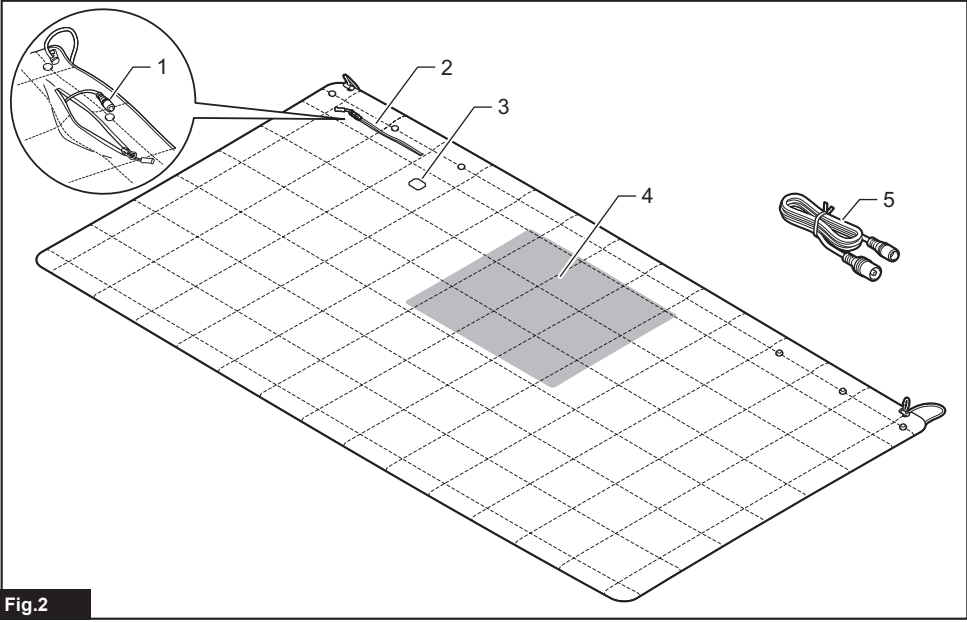


Fig.2

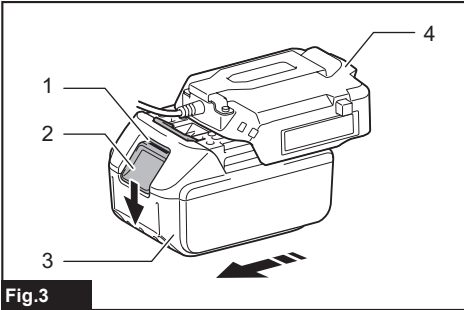


Fig.3

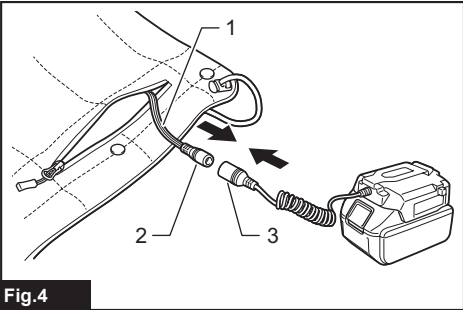


Fig.4

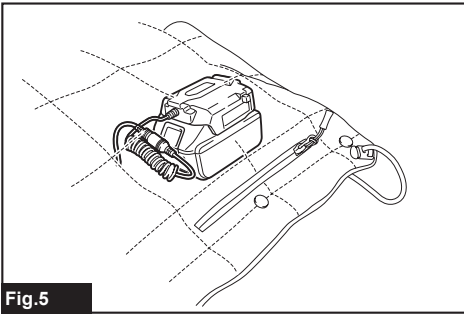


Fig.5

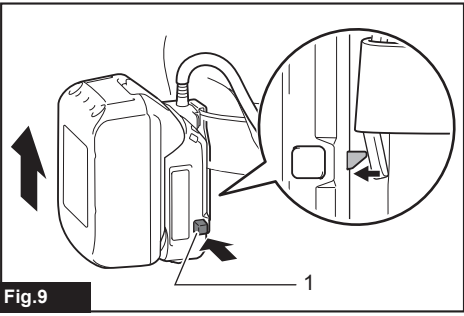


Fig.9

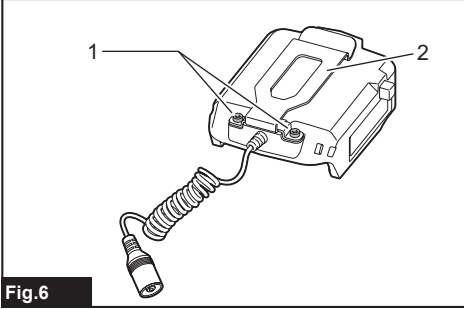


Fig.6

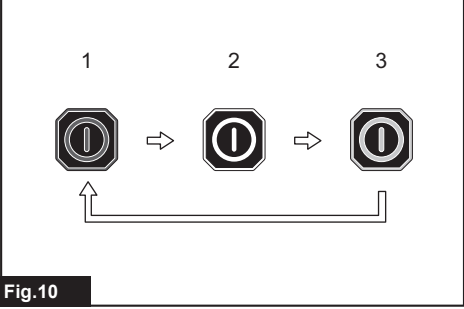


Fig.10

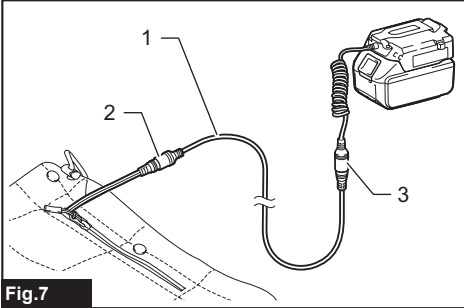


Fig.7

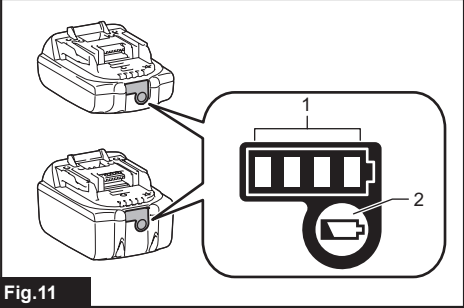


Fig.11

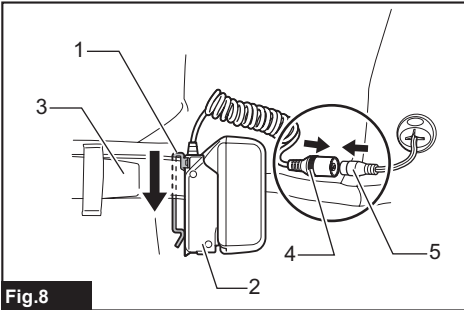


Fig.8

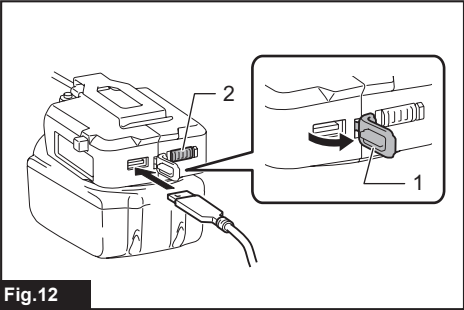


Fig.12

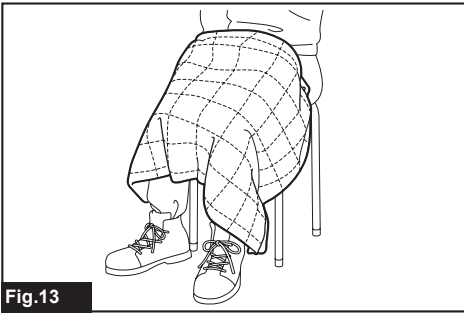


Fig.13

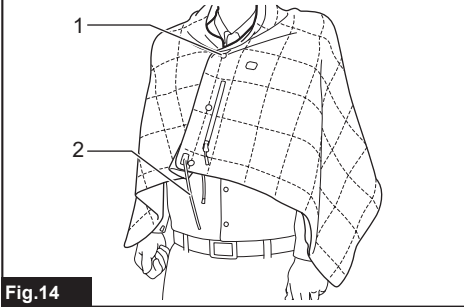


Fig.14

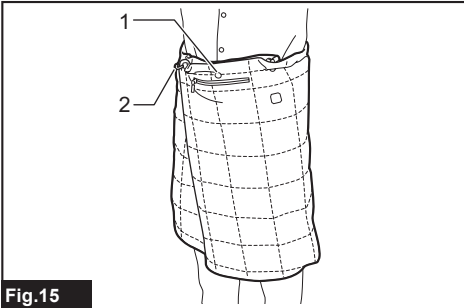


Fig.15

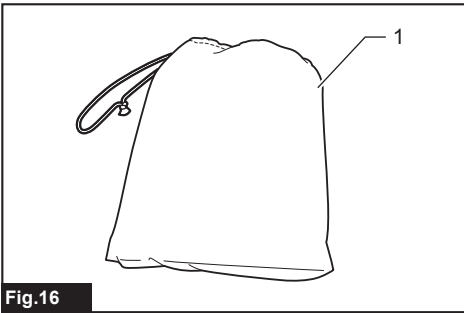


Fig.16

SPECIFICATIONS

Model:	CB100D	DCB200
Material	Outer: 100% Polyester Batting: 100% Polyester Liner: 100% Polyester	
Temperature adjustment steps	3	
Size (L x W)	700 mm x 1,400 mm (27-9/16" x 55-1/8")	
Net weight *	0.58 kg (1.28 lb)	

* Approximate weight without battery holder, battery cartridge, extension cord, and storage bag.

Specifications for battery holder and battery cartridge

USB power supply port	D.C. 5 V, 2.4 A, Type A	
Rated voltage	D.C. 10.8 V - 12 V max D.C. 14.4 V D.C. 18 V	
Battery cartridge	10.8 V - 12V max	BL1015 / BL1016 / BL1020B / BL1021B / BL1040B / BL1041B
	14.4 V	BL1415 / BL1415N / BL1430 / BL1430B / BL1440 / BL1450 / BL1460B
	18 V	BL1815 / BL1815N / BL1820 / BL1820B / BL1830 / BL1830B / BL1840 / BL1840B / BL1850 / BL1850B / BL1860B

- Due to our continuing program of research and development, the specifications herein are subject to change without notice.
- Specifications and battery cartridge may differ from country to country.

⚠ WARNING: Only use the battery cartridges listed above. Use of any other battery cartridges may cause injury and/or fire.

Combination of battery holder and blanket

For the combination of battery holder and blanket, refer to the table below.

- For the battery of 10.8 V - 12 V max, use battery holder "YL00000003" or "YL00000023".
- For the battery of 14.4 V or 18V, use battery holder "YL00000004" or "YL00000024".

Model	Battery	Part number of battery holder
CB100D	10.8 V - 12 V max	YL00000003 or YL00000023
DCB200	14.4 V or 18V	YL00000004 or YL00000024

NOTE: The available battery holder varies depending on the country.

Operating time

CB100D

Temperature setting	Battery cartridge	
	BL1040B / BL1041B	
HIGH	4 hours	
MEDIUM	7.5 hours	
LOW	14 hours	












DCB200

Temperature setting	Battery cartridge	
	BL1460B	BL1860B
HIGH	6 hours	10 hours
MEDIUM	12 hours	20 hours
LOW	23 hours	35 hours

- The operating times in the above table are a rough guideline. They may differ from actual operating times.
- Operating times may differ depending on battery type, charging status, and usage condition.
- Battery cartridge may differ from country to country.

Symbols

Some of the following symbols are used for the product. Be sure to understand their meaning before use.

	Read the instruction manual.
	Machine wash at below 30°C on the gentle cycle.
	Do not bleach.
	Do not wring.
	Do not iron.
	Do not dry clean.
	Not to be used by very young children (0-3 years).
	Do not insert pins.
	Tumble dry with low heat.
	Line drying.
	Class III appliance.



Only for EU countries
Correct Disposal of this product
 This marking indicates that this product should not be disposed with other household wastes throughout the EU. To prevent possible harm to the environment or human health from uncontrolled waste disposal, recycle it responsibly to promote the sustainable reuse of material resources. To return your used device, please use the return and collection systems or contact the retailer where the product was purchased. They can take this product for environmental safe recycling.

V

volts



direct current

FCC caution

For United States

This device complies with Part 15 of the FCC Rules. Operation is subject to the following two conditions:
 (1) this device may not cause harmful interference, and
 (2) this device must accept any interference received, including interference that may cause undesired operation.
 Changes or modifications not expressly approved by the party responsible for compliance could void the user's authority to operate the equipment.

Note: This equipment has been tested and found to comply with the limits for a Class B digital device, pursuant to part 15 of the FCC Rules. These limits are designed to provide reasonable protection against harmful interference in a residential installation. This equipment generates, uses and can radiate radio frequency energy and, if not installed and used in accordance with the instructions, may cause harmful interference to radio communications. However, there is no guarantee that interference will not occur in a particular installation. If this equipment does cause harmful interference to radio or television reception, which can be determined by turning the equipment off and on, the user is encouraged to try to correct the interference by one or more of the following measures:

- Reorient or relocate the receiving antenna.
- Increase the separation between the equipment and receiver.
- Connect the equipment into an outlet on a circuit different from that to which the receiver is connected.
- Consult the dealer or an experienced radio/TV technician for help.

ICES-003 standard

CAN ICES-3(B)/NMB-3(B)

SAFETY WARNINGS

⚠ WARNING: Read all safety warnings and all instructions. Failure to follow the warnings and instructions may result in electric shock, fire and/or serious injury.

Save all warnings and instructions for future reference.

The term "appliance" in the warnings and precautions refers to the blanket and battery holder with battery cartridge.

Important safety instruction

- **When not in use, store as follows:**
 - Allow it to cool down before folding.
 - Do not crease the appliance by placing items on top of it during storage.
- **Examine the appliance frequently for signs of wear or damage.** If there are such signs or if the appliance has been misused, return it to the supplier to any further use.
- **This appliance is not intended for medical use in hospitals.**
- **This appliance must not be used by persons insensitive to heat and other very vulnerable persons who are unable to react to overheating.**
- **Children under the age of three are not allowed to use this appliance due to their inability to react to overheating.**
- **The appliance is not to be used by young children over the age of three unless the controls have been pre-set by a parent or guardian, or unless the child has been adequately instructed on how to operate the controls safely.**
- **The switch or control unit must not be allowed to get wet during washing and that during drying the cord must be positioned to ensure that water does not flow into the switch or control.**
- **For users in Europe: This appliance can be used by children aged from 8 years and above and persons with reduced physical, sensory or mental capabilities or lack of experience and knowledge if they have been given supervision or instruction concerning use of the appliance in a safe way and understand the hazards involved. Children shall not play with the appliance. Cleaning and user maintenance shall not be made by children without supervision.**
- **For users in areas other than Europe: This appliance is not intended for use by persons (including children) with reduced physical, sensory or mental capabilities, or lack of experience and knowledge, unless they have been given supervision or instruction concerning use of the appliance by a person responsible for their safety. Children should be supervised to ensure that they do not play with the appliance.**

General safety warnings

- **Children, handicapped persons, or anyone who are insensitive to heat, for example a person with poor blood circulation, shall refrain from using this appliance.**
- **Do not use the appliance other than its intended use.**
- **Never use the appliance when it is wet.**
- **Do not wear the appliance with bare skin.**
- **If you sense anything unusual, switch off the appliance and remove the battery holder immediately.**
- **Do not let the power cable and extension cord be pinched. Damaged cable may cause electric shock or a fire.**
- **If any abnormality is found, contact your local service center for repair.**
- **Do not use pins or like. The electric wiring inside may be damaged.**
- **Keep maintenance labels and nameplate. If they become unreadable or missing, contact our authorized service center for repair.**
- **Choose appropriate temperature settings in accordance with the usage environment for continuous use.**
- **The battery cartridge, battery holder and connectors must not be allowed to get wet during washing and drying.**
- **The appliance is not to be used by young children unless the controls have been pre-set by a parent or guardian, or unless the child has been adequately instructed on how to operate the controls safely.**

- **Be careful not to touch the same part of the skin with the heating section for a long time.** If the heating section touches the same part of the skin for a long time, there is a possibility of low temperature burns even at a relatively low temperature (40 to 60 °C).
- **Stop using the appliance when you feel it is hot.**
- **Never use the appliance while you are sleeping.**
- **In order to avoid the possibility of heatstroke, disconnect the clothing when moving to an environment having significantly higher temperature.**
- **Do not insert pins onto the blanket.**
- **Remove the batteries from the appliance before charging.**
- **Remove exhausted batteries from the appliance and dispose of them safely.**
- **When not in use, detach battery holder from the blanket.**
- **Before storing the appliance, remove the batteries from battery holder.**
- **Do not short-circuit the supply terminals.**
- **Do not use the appliance near a fire or in an explosive atmospheres, such as in the presence of flammable liquids, gases or dust.**
- **Do not use this appliance for a pet. Keep this appliance away from pet.**
- **Do not throw or twirl this appliance.**
- **Do not put a heavy object onto this appliance.**
- **Do not use this appliance with the blanket folded.**
- **Be careful not to allow the cord and blanket caught by a movable appliances such as a reclining chair or bed.**
- **Do not use this appliance with other heating appliances at the same time.**

Washing

- **When washing the blanket, follow the instructions in the caution tag on the blanket.**
- **Before cleaning the blanket, remove the battery holder, extension cord, and the battery cartridge. Put the power cable in the battery pocket and close the zip fastener.**

Work area safety

- **Keep work area clean and well lit.** Cluttered or dark areas increase accident risk.

Electrical safety

- **Do not expose the appliance to rain or wet conditions.** Water entering the appliance may increase the risk of electric shock.
- **Do not abuse the cord. Never use the cord for carrying, pulling or unplugging the blanket. Keep cord away from heat, oil, sharp edges.**
- **Do not connect power source to USB port.** Otherwise there is risk of fire. The USB port is only intended for charging lower voltage device.
- **Always place the cover onto the USB port when not charging the lower voltage device.**

- **Do not insert a nail, wire, etc. into USB power supply port.** Otherwise a circuit short may cause smoke and fire.
- **Do not handle the cord and battery with wet or greasy hand.**
- **Never use the appliance when the cord or plug is damaged.**
- **Always use the battery cartridge and the battery holder specified by Makita.**
- **Do not leave any cord disconnected while the battery power is supplied.** Young children may put the live plug in their mouth and cause injury.
- **Do not connect the plug of the battery holder to appliances other than the products specified by Makita.**

Personal safety

- **Stay alert, watch what you are doing and use common sense when using the appliance. Do not use the appliance while you are tired or under the influence of drugs, alcohol or medication.** A moment of inattention while using the appliance may result in serious personal injury.

Appliance use and care

- **Do not use the appliance if the switch does not turn it on and off.** Any appliance that cannot be controlled with the switch is dangerous and must be repaired.
- **Maintain the appliance. Check for breakage of parts and any other condition that may affect the appliance's operation. If damaged, have the appliance repaired before use.**
- **Use the appliance in accordance with these instructions, taking into account the working conditions and the work to be performed.** Use of the appliance for operations different from those intended could result in a hazardous situation.
- **If the fuse link has ruptured, return the appliance to our authorized service center for repair.**

Battery tool use and care

- **Prevent unintentional starting. Ensure the switch is in the off-position before connecting to battery pack, picking up or carrying the machine.** Carrying the appliance with your finger on the switch or energizing appliance that have the switch on invites accidents.
- **Disconnect the battery pack from the appliance before making any adjustments, changing accessories, or storing machine.** Such preventive safety measures reduce the risk of starting the appliance accidentally.
- **Recharge only with the charger specified by the manufacturer.** A charger that is suitable for one type of battery pack may create a risk of fire when used with another battery pack.
- **Use appliance only with specifically designated battery packs.** Use of any other battery packs may create a risk of injury and fire.
- **When battery pack is not in use, keep it away from other metal objects, like paper clips, coins, keys, nails, screws or other small metal objects, that can make a connection from one terminal to another.** Shorting the battery terminals together may cause burns or a fire.

- **Under abusive conditions, liquid may be ejected from the battery; avoid contact. If contact accidentally occurs, flush with water. If liquid contacts eyes, seek medical help.** Liquid ejected from the battery may cause irritation or burns.
 - **Do not use a battery pack or appliance that is damaged or modified. Damaged or modified batteries may exhibit unpredictable behaviour resulting in fire, explosion or risk of injury.**
 - **Do not expose a battery pack or appliance to fire or excessive temperature. Exposure to fire or temperature above 130°C (265°F) may cause explosion.**
 - **Follow all charging instructions and do not charge the battery pack or appliance outside of the temperature range specified in the instructions.** Charging improperly or at temperatures outside of the specified range may damage the battery and increase the risk of fire.
 - **Have servicing performed by a qualified repair person using only identical replacement parts.** This will ensure that the safety of the product is maintained.
 - **Do not modify or attempt to repair the appliance or the battery pack except as indicated in the instructions for use and care.**
10. **The contained lithium-ion batteries are subject to the Dangerous Goods Legislation requirements.**
For commercial transports e.g. by third parties, forwarding agents, special requirement on packaging and labeling must be observed.
For preparation of the item being shipped, consulting an expert for hazardous material is required. Please also observe possibly more detailed national regulations.
Tape or mask off open contacts and pack up the battery in such a manner that it cannot move around in the packaging.
 11. **When disposing the battery cartridge, remove it from the tool and dispose of it in a safe place. Follow your local regulations relating to disposal of battery.**
 12. **Use the batteries only with the products specified by Makita.** Installing the batteries to non-compliant products may result in a fire, excessive heat, explosion, or leak of electrolyte.
 13. **If the tool is not used for a long period of time, the battery must be removed from the tool.**

SAVE THESE INSTRUCTIONS.

⚠ CAUTION: Only use genuine Makita batteries. Use of non-genuine Makita batteries, or batteries that have been altered, may result in the battery bursting causing fires, personal injury and damage. It will also void the Makita warranty for the Makita tool and charger.

Important safety instructions for battery cartridge

1. **Before using battery cartridge, read all instructions and cautionary markings on (1) battery charger, (2) battery, and (3) product using battery.**
2. **Do not disassemble battery cartridge.**
3. **If operating time has become excessively shorter, stop operating immediately. It may result in a risk of overheating, possible burns and even an explosion.**
4. **If electrolyte gets into your eyes, rinse them out with clear water and seek medical attention right away. It may result in loss of your eyesight.**
5. **Do not short the battery cartridge:**
 - (1) **Do not touch the terminals with any conductive material.**
 - (2) **Avoid storing battery cartridge in a container with other metal objects such as nails, coins, etc.**
 - (3) **Do not expose battery cartridge to water or rain.**

A battery short can cause a large current flow, overheating, possible burns and even a breakdown.
6. **Do not store the tool and battery cartridge in locations where the temperature may reach or exceed 50 °C (122 °F).**
7. **Do not incinerate the battery cartridge even if it is severely damaged or is completely worn out. The battery cartridge can explode in a fire.**
8. **Be careful not to drop or strike battery.**
9. **Do not use a damaged battery.**

Tips for maintaining maximum battery life

1. **Charge the battery cartridge before completely discharged. Always stop tool operation and charge the battery cartridge when you notice less tool power.**
2. **Never recharge a fully charged battery cartridge. Overcharging shortens the battery service life.**
3. **Charge the battery cartridge with room temperature at 10 °C - 40 °C (50 °F - 104 °F). Let a hot battery cartridge cool down before charging it.**
4. **Charge the battery cartridge if you do not use it for a long period (more than six months).**

PARTS DESCRIPTION

Battery holder (optional accessory)

► Fig.1

1	Battery holder (10.8 V - 12 V max)	2	Battery holder (14.4 V / 18 V)	3	Belt hook	4	Strap hole
---	------------------------------------	---	--------------------------------	---	-----------	---	------------

► Fig.2

1	Power cable	2	Battery pocket	3	Power button	4	Heating element (inside)
5	Extension cord	-	-	-	-	-	-

INSTALLATION

Installing or removing the battery cartridge

CAUTION: Always switch off the device before installing or removing the battery cartridge.

CAUTION: Hold the battery holder and the battery cartridge firmly when installing or removing the battery cartridge. Failure to hold the battery holder and the battery cartridge firmly may cause them to slip out of your hands and result in damage to the battery holder and battery cartridge and/or a personal injury.

► Fig.3: 1. Red indicator 2. Button 3. Battery cartridge 4. Battery holder (optional accessory)

To install the battery cartridge, align the tongue on the battery cartridge with the groove in the housing and slip it into place. Insert the battery cartridge all the way until it locks in place with a small click. If you can see the red indicator on the upper side of the button, it is not locked completely.

To remove the battery cartridge, slide it from the battery holder while pressing the button on the front of the cartridge.

CAUTION: Always install the battery cartridge fully until the red indicator cannot be seen. Otherwise the battery cartridge may accidentally fall out of the battery holder, causing injury to you or someone around you.

CAUTION: Do not forcibly install the battery cartridge. If the battery cartridge does not slide in easily, it is not being inserted correctly.

Attaching the battery holder

Take the power cable out of the battery pocket and connect the jack to the plug of the battery holder.

► Fig.4: 1. Power cable 2. Jack 3. Plug

Using the battery pocket

The battery holder (with battery cartridge) can be stored in the battery pocket. Take the power cable out of the battery pocket and connect the jack to the plug of the battery holder. After that, put the battery holder (with battery cartridge) into the battery pocket and fasten the zip fastener.

► Fig.5

CAUTION: After storing the battery holder (with battery cartridge) into the pocket, be sure to fasten the fastener.

The belt hook on the battery holder can be detached by removing the screws.

► Fig.6: 1. Screw 2. Belt hook

Using the extension cord

If you put the battery holder out of the battery pocket, connect the extension cord between the jack of the power cord and the plug of the battery holder.

► Fig.7: 1. Extension cord 2. Jack 3. Plug

NOTICE: When using the extension cord, be careful in handling the battery holder because the battery holder may be dropped by accident.

Using the belt hook on the battery holder

If you hang the battery holder on your waist belt, attach the belt hook of the battery holder to your waist belt, and then connect the jack to the plug of the battery holder.

► Fig.8: 1. Belt hook 2. Battery holder 3. Waist belt 4. Plug 5. Jack

NOTICE: To prevent the battery holder from dropping accidentally, attach a strap using the strap hole and secure it.

The battery holder has an anti-drop function. When removing the battery holder from the belt, pull up the battery holder while pressing the unlock button.

► Fig.9: 1. Unlock button

FUNCTIONAL DESCRIPTION

Power button

To turn on the blanket, press and hold the power button for a few seconds. To turn off, press and hold the power button again.

Temperature adjustment

CAUTION: For continuous operation, set the temperature setting to "low" (blue). If the heating section touches the same part of the skin for a long time, there is a possibility of low temperature burns.

There are three temperature settings (high, medium, low). When you switch on the blanket, the temperature is set to "high". Each time you press the power button, the temperature setting changes as shown in the figure. The color of the power button shows the current setting.

► **Fig.10:** 1. Red: "high" 2. White: "medium" 3. Blue: "low"

Indicating the remaining battery capacity

Only for battery cartridges with the indicator

► **Fig.11:** 1. Indicator lamps 2. Check button

Press the check button on the battery cartridge to indicate the remaining battery capacity. The indicator lamps light up for a few seconds.

Indicator lamps			Remaining capacity
Lighted	Off	Blinking	
			75% to 100%
			50% to 75%
			25% to 50%
			0% to 25%
			Charge the battery. (For 14.4 V and 18 V batteries only)
			The battery may have malfunctioned. (For 14.4 V and 18 V batteries only)

NOTE: Depending on the conditions of use and the ambient temperature, the indication may differ slightly from the actual capacity.

Battery protection system

The device is equipped with a battery protection system. This system automatically cuts off power to the heating parts to extend battery life. If the remaining battery capacity is too low, the device will not operate. When you turn the device on, the power is supplied to the heating parts again, but stops soon. In this situation, remove and recharge the battery cartridge.

Connecting USB devices

CAUTION: Connect only devices that are compatible with the USB power supply port. Not doing so may cause a malfunction of the battery holder.

NOTICE: Before connecting a USB device to the battery holder (with the battery), always back up the data on the USB device. Not doing so may cause a loss of your data.

The battery holder (with the battery cartridge) can work as an external power supply for USB devices.

Open the cover and connect a USB cable (not included) to the power supply port of the battery holder. Then connect the other end of the cable to the device and turn on the switch next to the USB port.

The battery holder (with the battery cartridge) supplies DC 5 V, 2.4 A (maximum).

► **Fig.12:** 1. Cover 2. Switch

NOTE: The battery holder may not supply power to some USB devices.

NOTE: When not in use or after charging, remove the USB cable and close the cover.

NOTE: Battery power is consumed while the switch is turned on. Always turn off the switch when not in use.

NOTE: When charging multiple USB devices in succession, wait about 10 seconds after charging of the previous device has completed before beginning to charge the next device.

Usage examples

By fastening the snap buttons and strap on the blanket, you can use the blanket for warming up your shoulders and waist.

► **Fig.13**

► **Fig.14:** 1. Snap button 2. Strap

► **Fig.15:** 1. Snap button 2. Strap

NOTICE: To prevent the damage to the heating element inside the blanket, do not use the blanket as a cushion or a rug.

NOTICE: When you wear the blanket on your shoulders or waist, be sure to fasten the snap button or tighten the strap.

MAINTENANCE

⚠ CAUTION: Always be sure that the blanket is switched off and the battery cartridge is removed before attempting to perform inspections or maintenance.

⚠ CAUTION: If the blanket does not switch on or any fault is found with a fully charged battery cartridge, clean the terminals of the battery holder and the battery cartridge. If the blanket still does not work properly, stop using the blanket and contact our authorized service center.

NOTICE: Never use gasoline, benzine, thinner, alcohol or the like. Discoloration, deformation or cracks may result.

To maintain product SAFETY and RELIABILITY, repairs, any other maintenance or adjustment should be performed by Makita Authorized or Factory Service Centers, always using Makita replacement parts.

Cleaning the blanket

- Detach the battery holder (or extension cord) from the blanket before washing.
- Be sure to store the power cable inside the battery pocket and close the zip fastener before washing.
- Follow the instructions on the tag.
- Do not wash the blanket with other clothes. Doing so may cause color fading or color transfer.
- Do not use the fabric softener.
- Use only neutral detergent.
- After washing, take out the blanket from washing machine at once.

Storage

When not in use, detach the battery holder from the blanket. Store the blanket into the storage bag.

► **Fig.16:** 1. Storage bag

NOTICE: Do not store the blanket with an object with sharp edges. Doing so may damage the blanket.

NOTICE: Do not store the battery holder and blanket with a repellent which contains naphthalene or camphor. Doing so may corrode the plastic part and cable insulation.

OPTIONAL ACCESSORIES

⚠ CAUTION: These accessories or attachments are recommended for use with your Makita tool specified in this manual. The use of any other accessories or attachments might present a risk of injury to persons. Only use accessory or attachment for its stated purpose.

If you need any assistance for more details regarding these accessories, ask your local Makita Service Center.

- Battery holder
- Makita genuine battery and charger

NOTE: Some items in the list may be included in the tool package as standard accessories. They may differ from country to country.

MAKITA LIMITED WARRANTY

Please refer to the annexed warranty sheet for the most current warranty terms applicable to this product. If annexed warranty sheet is not available, refer to the warranty details set forth at below website for your respective country.

United States of America: www.makitatools.com

Canada: www.makita.ca

Other countries: www.makita.com

Makita Corporation
3-11-8, Sumiyoshi-cho,
Anjo, Aichi 446-8502 Japan
www.makita.com

CB100D-NA3-BZ-
ASIA-1905
CB100D-1
EN, FRCA, ESMX,
PTBR, ID, VI, TH,
ZHCN, ZHTW, KO
20190418