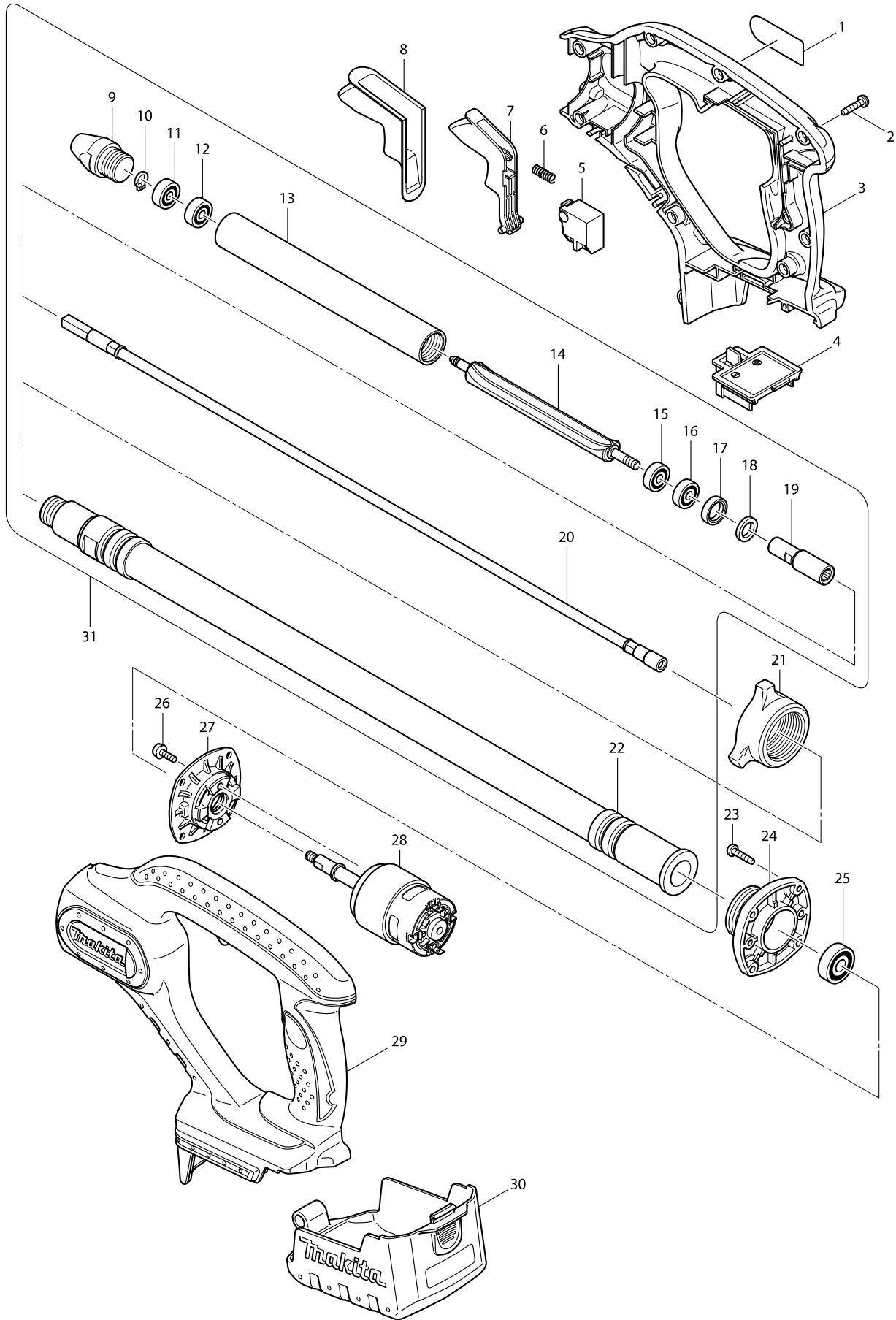


# Model No. BVR350 CORDLESS CONCRETE VIBRATOR



# Model No. BVR350 CORDLESS CONCRETE VIBRATOR

| Item  | Parts No. | Description          | I/C | Qty | N/O | Opt. 1 | Opt. 2 | Note |
|-------|-----------|----------------------|-----|-----|-----|--------|--------|------|
| 001-1 | 862641-8  | BVR350 NAME PLATE    |     | 1   |     |        |        |      |
| 002   | 266045-0  | TAPPING SCREW 4X20   |     | 9   |     |        |        |      |
| 003   | 188121-9  | HOUSING SET          |     | 1   | *   |        |        |      |
| D10   |           | INC. 29              |     |     | *   |        |        |      |
| 003-1 | 187351-9  | HOUSING SET          | S   | 1   | *   |        |        |      |
| D10   |           | INC. 29              |     |     | *   |        |        |      |
| 003-2 | 187867-4  | HOUSING SET          | X   | 1   |     |        |        |      |
| D10   |           | INC. 29              |     |     |     |        |        |      |
| 004   | 643812-4  | TERMINAL             |     | 1   | *   |        |        |      |
| 004-1 | 643843-3  | TERMINAL             | X   | 1   |     |        |        |      |
| 005   | 650580-2  | SWITCH SGE120C-4     |     | 1   |     |        |        |      |
| 006   | 231298-0  | COMPRESSION SPRING 6 |     | 1   |     |        |        |      |
| 007   | 419511-8  | SWITCH LEVER         |     | 1   |     |        |        |      |
| 008   | 421961-5  | WATERPROOF COVER     |     | 1   |     |        |        |      |
| 009   | 322935-8  | CAP                  |     | 1   |     |        |        |      |
| 010   | 961002-0  | RETAINING RING S-6   |     | 1   |     |        |        |      |
| 011   | 210018-5  | BALL BEARING 626     |     | 1   |     |        |        |      |
| 012   | 210018-5  | BALL BEARING 626     |     | 1   |     |        |        |      |
| 013   | 331503-6  | PIPE 25              |     | 1   |     |        |        |      |
| 014   | 322934-0  | UNBALANCER           |     | 1   |     |        |        |      |
| 015   | 211016-2  | BALL BEARING 626LLB  |     | 1   |     |        |        |      |
| 016   | 211016-2  | BALL BEARING 626LLB  |     | 1   |     |        |        |      |
| 017   | 421578-4  | RUBBER RING          |     | 1   |     |        |        |      |
| 018   | 443101-5  | FELT RING            |     | 1   |     |        |        |      |
| 019   | 322969-1  | JOINT                |     | 1   | *   |        |        |      |
| 019-1 | 326203-1  | JOINT                | S   | 1   |     |        |        |      |
| 020   | 163387-2  | FLEXIBLE WIRE        |     | 1   | *   |        |        |      |
| 020-1 | 163533-7  | FLEXIBLE WIRE        | S   | 1   |     |        |        |      |
| 021   | 416244-6  | NUT 36               |     | 1   |     |        |        |      |
| 022   | 163386-4  | FLEXIBLE HOSE        |     | 1   | *   |        |        |      |
| 022-1 | 163536-1  | FLEXIBLE HOSE        | S   | 1   |     |        |        |      |
| 023   | 266045-0  | TAPPING SCREW 4X20   |     | 4   |     |        |        |      |
| 024   | 316893-8  | BEARING BOX          |     | 1   |     |        |        |      |
| 025-1 | 211056-0  | BALL BEARING 629LLB  |     | 1   |     |        |        |      |
| 026   | 911118-1  | PAN HEAD SCREW M4X12 |     | 2   |     |        |        |      |
| 027   | 318038-4  | SUPPORTER            |     | 1   | *   |        |        |      |
| 027-1 | 318867-5  | SUPPORTER            | S   | 1   |     |        |        |      |
| 028   | 629836-4  | DC MOTOR             |     | 1   | *   |        |        |      |
| 028-1 | 629947-5  | DC MOTOR             | S   | 1   |     |        |        |      |
| 029   | 188121-9  | HOUSING SET          |     | 1   | *   |        |        |      |
| D10   |           | INC. 3               |     |     | *   |        |        |      |
| 029-1 | 187351-9  | HOUSING SET          | S   | 1   | *   |        |        |      |
| D10   |           | INC. 3               |     |     | *   |        |        |      |
| 029-2 | 187867-4  | HOUSING SET          | X   | 1   |     |        |        |      |
| D10   |           | INC. 3               |     |     |     |        |        |      |
| 030   | 158051-8  | COVER COMPLETE       |     | 1   |     |        |        |      |
| C10   | 810196-7  | CAUTION LABEL        |     | 1   |     |        |        |      |
| 031   | 135072-7  | FLEXIBLE HOSE ASS'Y  |     | 1   | *   |        |        |      |

