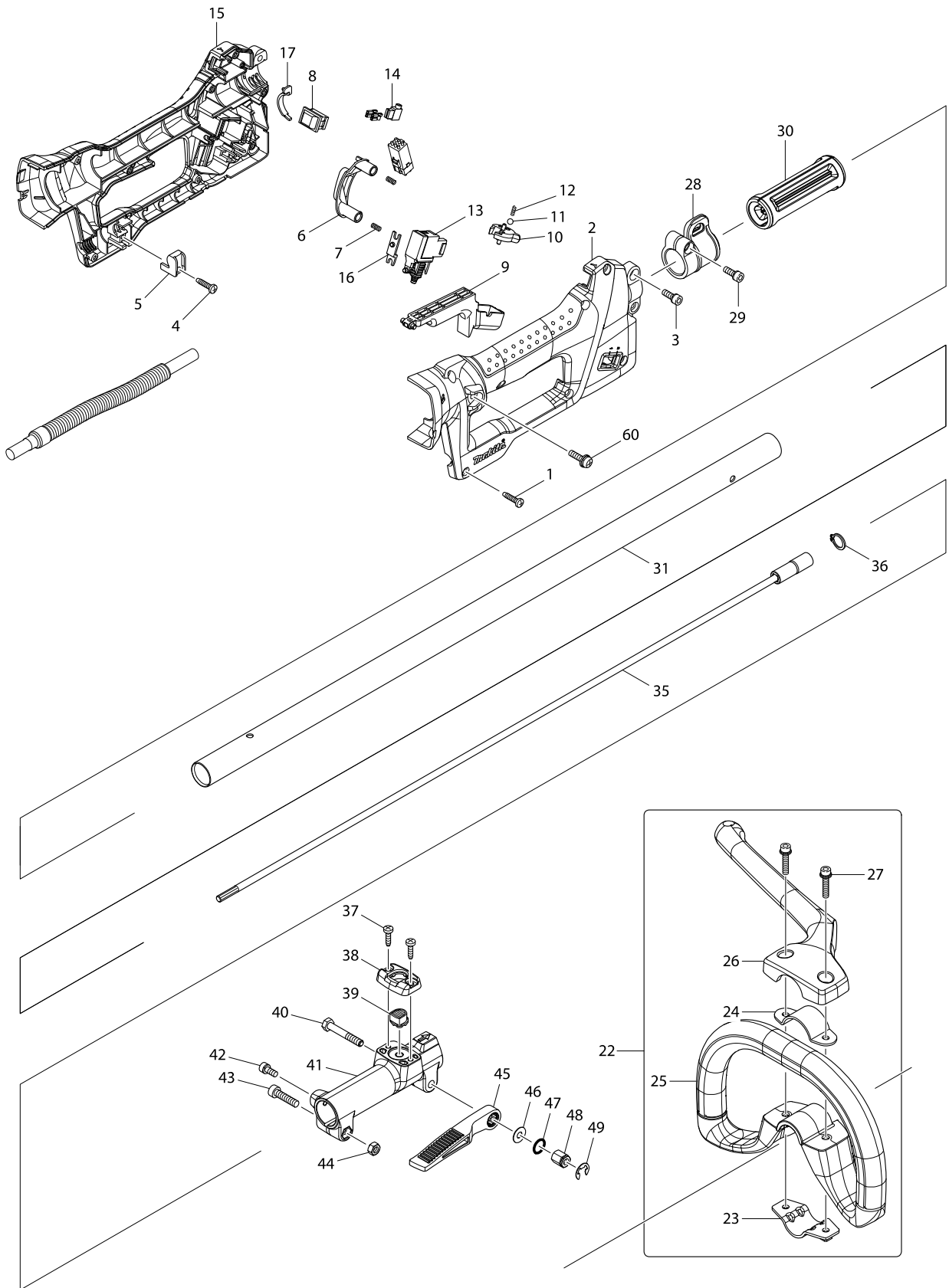
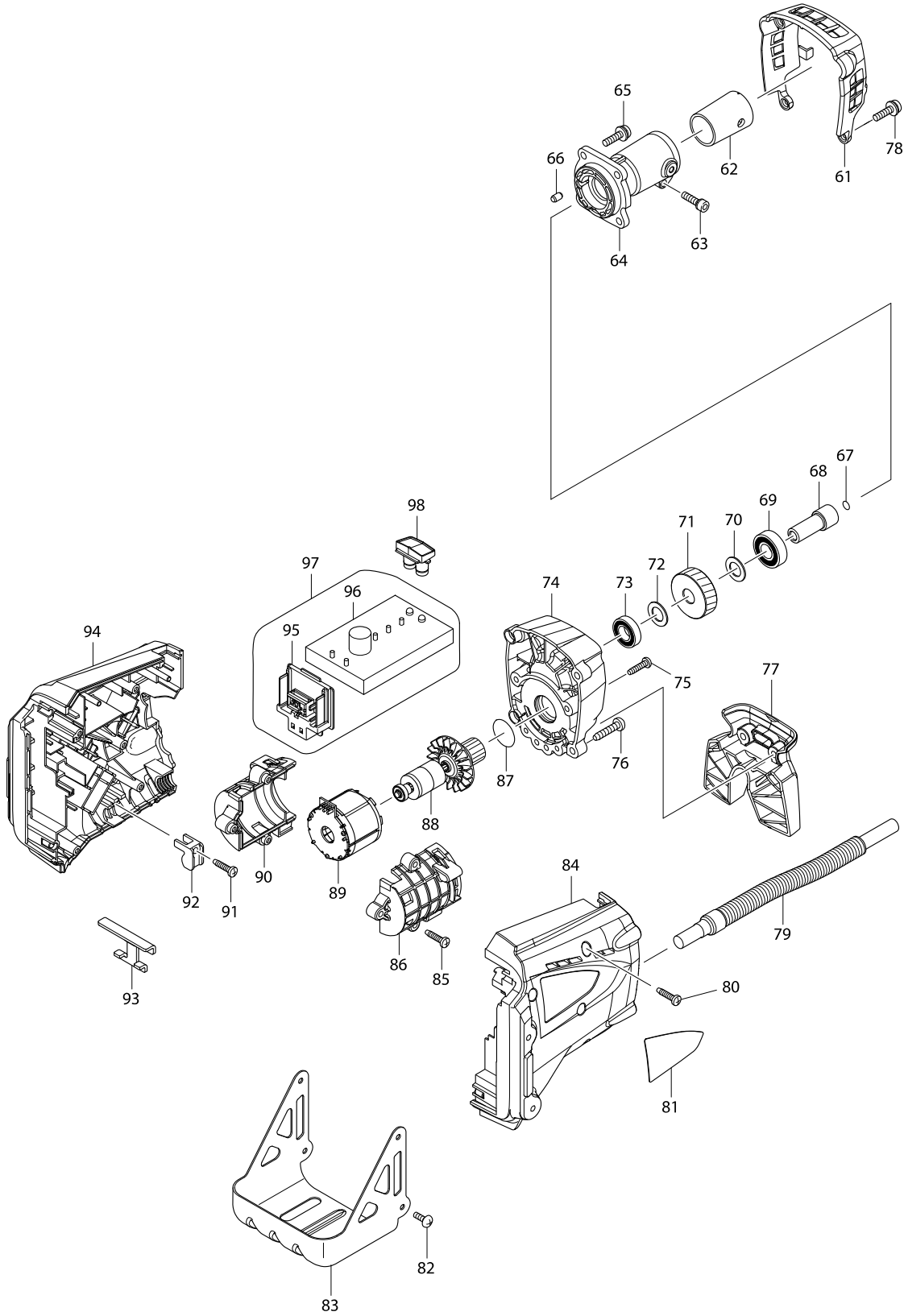


Model No. BUX361 CRDLSS MULTI FNCTN POWER HEAD



Model No. BUX361 CRDLSS MULTI FNCTN POWER HEAD



Model No. BUX361 CRDLSS MULTI FNCTN POWER HEAD

Item	Parts No.	Description	I/C	Qty	N/O	Opt. 1	Opt. 2	Note
001	265995-6	TAPPING SCREW 4X18		8				
002	188841-5	GRIP SET		1				
D10		INC. 15						
003	922228-9	H.S.H.BOLT M5X18 WITH WR		1				
004	265995-6	TAPPING SCREW 4X18		1				
005	687261-5	STRAIN RELIEF		1				
006	451983-1	LOCK OFF BUTTON		1				
007	233054-4	COMPRESSION SPRING 4		2				
008	651533-4	SWITCH SLE6A2-33		1				
009	451984-9	SWITCH LEVER		1				
010	451986-5	INDICATOR		1				
011	216018-3	STEEL BALL 5.0		1				
012	233211-4	COMPRESSION SPRING 2		1				
013	650630-3	SWITCH TGR3-3		1				
014	686015-7	RECEPTACLE SLEEVE		1				
015	188841-5	GRIP SET		1				
D10		INC. 2						
016	451982-3	LINK PLATE		1				
017	451985-7	LEAD COVER		1				
022	195515-1	LOOP HANDLE SET		1				
D10		INC. 23-27						
023	346467-1	CLAMP 24		1				
024	346468-9	CLAMP 33		1				
025	452841-4	LOOP HANDLE		1				
026	452842-2	CLAMP COVER A		1				
027	922244-1	H.S.H.BOLT M5X25 WITH WG		2				
028	168478-4	HANGER		1				
029	922228-9	H.S.H.BOLT M5X18 WITH WR		1				
030	451601-1	SPACER 24		1				
031	141499-1	SHAFT PIPE B COMPLETE		1				
C10	898125-0	CAUTION LABEL		1				
035	141238-9	SHAFT B COMPLETE		1				
036	961052-5	RETAINING RING S-12		1				
037	266034-5	TAPPING SCREW CT 4X16		2				
038	452840-6	RELEASE BUTTON COVER		1				
039	452839-1	RELEASE BUTTON		1				
040	265596-0	HEX.BOLT M6X40		1				
041	318750-6	JOINT 24		1				
042	922211-6	HEX. SOCKET HEAD BOLT M5X12		1				
043	922342-1	HEX. SOCKET HEAD BOLT M6X25		1				
044	931302-2	HEX. NUT M6		1				
045	272268-0	LEVER 94		1				
046	253332-6	THIN WASHER 6		1				
047	213105-9	O RING 11		1				
048	252159-1	HEX. NUT M6		1				
049	961014-3	STOP RING E-8		1				
060	911233-1	PAN HEAD SCREW M5X20		1				
061	451981-5	GEAR BOX COVER		1				

Model No. BUX361 CRDLSS MULTI FNCTN POWER HEAD

Item	Parts No.	Description	I/C	Qty	N/O	Opt. 1	Opt. 2	Note
062	424307-4	PIPE RUBBER		1				
063	922231-0	HEX. SOCKET HEAD BOLT M5X20		1				
064	318560-1	PIPE BRACKET		1				
065	911233-1	PAN HEAD SCREW M5X20		4				
066	263002-9	RUBBER PIN 4		1				
067	213045-1	O-RING 6		1				
068	325811-5	SPINDLE HUB		1				
069	211148-5	BALL BEARING 6001ZZ		1				
070	253744-3	FLAT WASHER 12		1				
071	227720-3	HELICAL GEAR 33		1				
072	253744-3	FLAT WASHER 12		1				
073	211150-8	BALL BEARING 6901ZZ		1				
074	318559-6	GEAR BOX		1				
075	265995-6	TAPPING SCREW 4X18		4				
076	266041-8	TAPPING SCREW 5X25		4				
077	451572-2	STAND		1				
078	911233-1	PAN HEAD SCREW M5X20		2				
079	699047-5	POWER SUPPLY CORD UNIT		1				
080	265995-6	TAPPING SCREW 4X18		5				
081	897196-4	BUX361 NAME PLATE		1				
082	251314-2	+ SCREW M4X12		4				
083	346194-0	BATTERY GUARD		1				
084	188836-8	HOUSING SET		1				
D10		INC. 94						
085	265995-6	TAPPING SCREW 4X18		3				
086	188838-4	MOTOR HOUSING SET		1				
D10		INC. 90						
087	213961-7	O RING 22		1				
088	619254-4	ROTOR		1				
089	629880-1	STATOR		1				
090	188838-4	MOTOR HOUSING SET		1				
D10		INC. 86						
091	265995-6	TAPPING SCREW 4X18		1				
092	687261-5	STRAIN RELIEF		1				
093	346039-2	SUPPORT PLATE		1				
094	188836-8	HOUSING SET		1				
D10		INC. 84						
095	643849-1	TERMINAL		1				
096	631942-3	CONTROLLER		1				
097	631941-5	CONTROLLER COMPLETE		1				
D10		INC. 95,96						
098	140285-7	INDICATION PLATE COMPLETE		1				
A01	195149-0	CUTTER ASSEMBLY SET		1				
C10	141181-2	HOUSING COMPLETE		1				
C20	318815-4	NUT M10		1				
C30	453227-5	COVER		1				
C40	234229-8	COMPRESSION SPRING 13		1				
C50	453228-3	BOBBIN		1				

