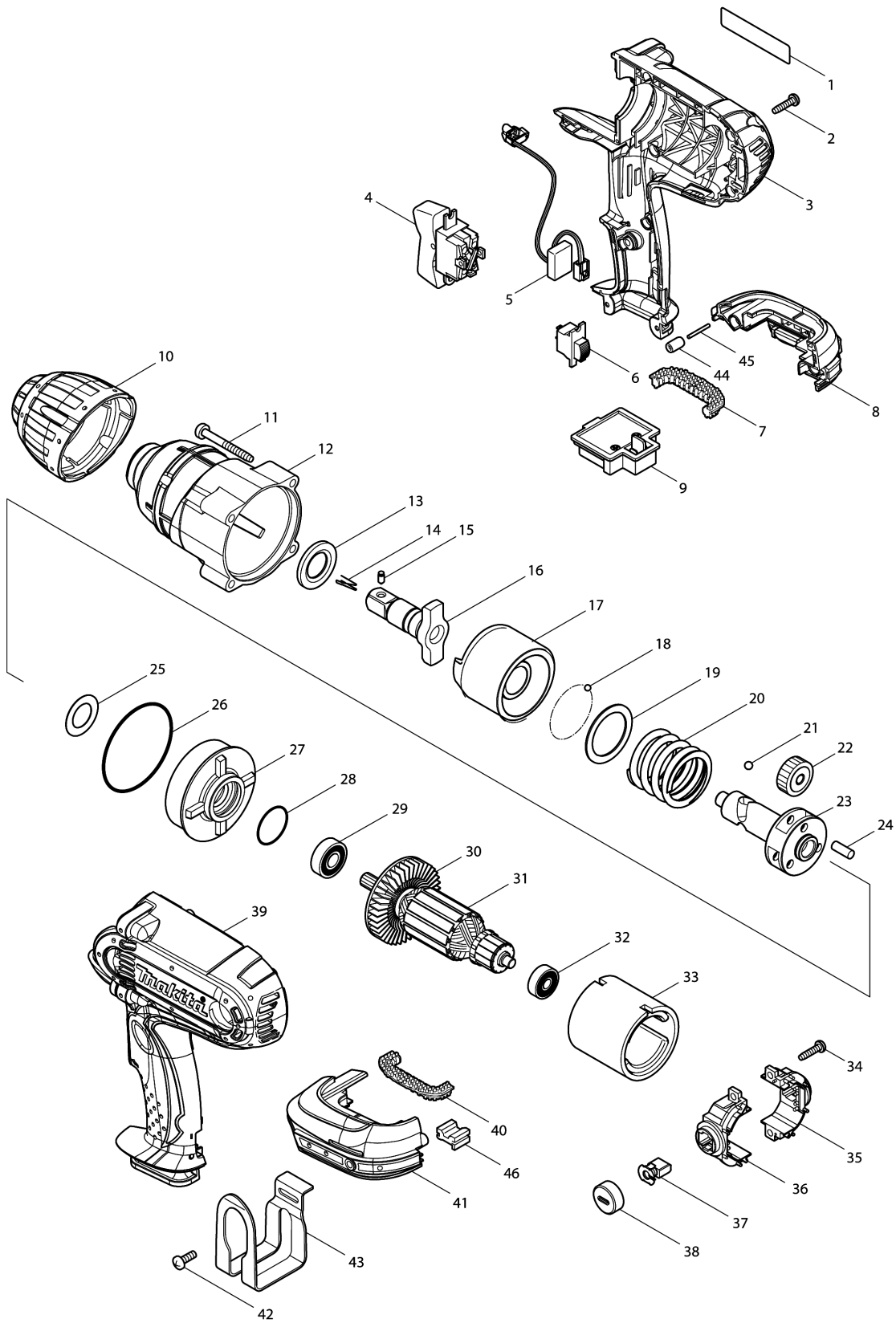


### Model No.BTW450 CORDLESS IMPACT WRENCH





## Model No.BTW450 CORDLESS IMPACT WRENCH

Item	Parts No.	Description	I/C	Qty	New/Old	Opt. 1	Opt. 2	Note
001	862955-5	BTW450 NAME PLATE		1				
002	265995-6	TAPPING SCREW 4X18		9				
003	188434-8	HOUSING SET		1				
C10	263025-7	RUBBER PIN 4		4				
D10		INC. 39						
004	651572-4	SWITCH SL220SD-19		1				
005	631738-2	LIGHT CIRCUIT		1				
006	638503-0	SWITCH UNIT		1				
007	424042-4	CUSHION RUBBER		1				
008	188453-4	BATTERY HOUSING SET		1	*			
C10	263005-3	RUBBER PIN 6		2	*			
D10		INC. 41			*			
008-1	187873-9	BATTERY HOUSING SET	S	1				
C10	263005-3	RUBBER PIN 6		2				
D10		INC. 41						
009	643812-4	TERMINAL		1	*			
009-1	643843-3	TERMINAL	S	1				
010	421971-2	BUMPER		1				
011	266056-5	TAPPING SCREW 5X45		4				
012	158076-2	HAMMER CASE COMPLETE		1				
013	267268-3	FLAT WASHER 19		1				
014	231907-1	RING SPRING 10		1				
016	324406-1	ANVIL		1	*			
016-1	326983-9	ANVIL	<	1				
017	324697-4	HAMMER		1				
018	216008-6	STEEL BALL 4		29				
019	267340-1	FLAT WASHER 32		2				
020	233477-6	COMPRESSION SPRING 33		1	*			
020-1	234338-3	COMPRESSION SPRING 33	<	1				
021	216007-8	STEEL BALL 6.4		2				
022	227171-0	SPUR GEAR 23		3				
023	310185-7	SPINDLE		1				
024	256033-5	PIN 6		3				
025	253794-8	FLAT WASHER 18		1				
026	213722-5	O RING 63		1				
027	227172-8	INTERNAL GEAR 53		1				
028	213407-3	O RING 26		1				
029	210059-1	BALL BEARING 6000DDW		1				
030	241850-6	FAN 60		1				
031	519199-5	ARMATURE ASS'Y 18V		1				
D10		INC. 29,30,32						
032	210025-8	BALL BEARING 627LLB		1				

Please order the parts with part number.

Print Date 25/6/2019

## Model No.BTW450 CORDLESS IMPACT WRENCH

Item	Parts No.	Description	I/C	Qty	New/Old	Opt. 1	Opt. 2	Note
033	638107-8	YOKE UNIT		1				
034	265995-6	TAPPING SCREW 4X18		2				
035A	643818-2	BRUSH HOLDER		1	*			
035B	643818-2	BRUSH HOLDER		1	*			
035-1A	638870-3	BRUSH HOLDER COMPLETE	S	1				
C10	688161-2	LINE FILTER		1				
C20	654037-5	INSULATED TERM. FT1.25-M3		2	*			
C21	654037-5	INSULATED TERM. FT1.25-M3	O	2				
035-1B	638870-3	BRUSH HOLDER COMPLETE	S	1				
C10	688161-2	LINE FILTER		1				
C20	654037-5	INSULATED TERM. FT1.25-M3		2	*			
C21	654037-5	INSULATED TERM. FT1.25-M3	O	2				
035-1C	638870-3	BRUSH HOLDER COMPLETE		1				
C10	688161-2	LINE FILTER		1				
C21	654037-5	INSULATED TERM. FT1.25-M3		2				
035-1D	638870-3	BRUSH HOLDER COMPLETE		1				
C10	688161-2	LINE FILTER		1				
C21	654037-5	INSULATED TERM. FT1.25-M3		2				
036A	643823-9	BRUSH HOLDER		1	*			
036B	643823-9	BRUSH HOLDER		1	*			
037	194435-6	CARBON BRUSH CB-441		1				
038	643941-3	BRUSH HOLDER CAP		2				
039	188434-8	HOUSING SET		1				
C10	263025-7	RUBBER PIN 4		4				
D10		INC. 3						
040	424042-4	CUSHION RUBBER		1				
041	188453-4	BATTERY HOUSING SET		1	*			
C10	263005-3	RUBBER PIN 6		2	*			
D10		INC. 8			*			
041-1	187873-9	BATTERY HOUSING SET	S	1				
C10	263005-3	RUBBER PIN 6		2				
D10		INC. 8						
042	251314-2	+ SCREW M4X12		1				
043	345736-7	HOOK		1				
044	263036-2	RUBBER PIN 5		1				
045	268184-2	PIN 1.5		1				
046	424026-2	CUSHION		1				
A01A	***DC18RA	DC18RA FAST CHARGER		1	*			
A01-1A	***DC18RC	DC18RC FAST CHARGER	<	1				
A01-1C	***DC18RC	DC18RC FAST CHARGER		1				
A02A	194204-5	BATTERY BL1830 SET		2	*			
A02-1A	194204-5	BATTERY BL1830 SET	O	2	*			

Please order the parts with part number.

Print Date 25/6/2019

## Model No.BTW450 CORDLESS IMPACT WRENCH

Item	Parts No.	Description	I/C	Qty	New/Old	Opt. 1	Opt. 2	Note
A02-2A	194204-5	BATTERY BL1830 SET	O	2	*			
A02-2C	194204-5	BATTERY BL1830 SET		2	*			
A02-3A	194204-5	BATTERY BL1830 SET	O	2	*			
A02-3C	194204-5	BATTERY BL1830 SET	O	2	*			
A02-4A	197600-6	BATTERY BL1830B SET	<	2	*			
A02-4C	197600-6	BATTERY BL1830B SET	<	2	*			
A02-5A	197600-6	BATTERY BL1830B SET	O	2				
A02-5C	197600-6	BATTERY BL1830B SET	O	2				
A03A	450128-8	BATTERY COVER		1				
A03C	450128-8	BATTERY COVER		1				
A04A	824777-1	PLASTIC CARRYING CASE		1	*			
C10	163467-4	LATCH		2	*			
A04C	821551-8	CONNECTOR PLASTIC CASE (TYPE3)		1	*			
C10	453974-8	LATCH		4	*			
A04D	821551-8	CONNECTOR PLASTIC CASE (TYPE3)		1	*			
C10	453974-8	LATCH		4	*			
A04-1A	141644-8	PLASTIC CASE COMPLETE	<	1				
C10	163467-4	LATCH		2				
A04-1C	821551-8	CONNECTOR PLASTIC CASE (TYPE3)	<	1				
C10	453974-8	LATCH		4				
A04-1D	821551-8	CONNECTOR PLASTIC CASE (TYPE3)	<	1				
C10	453974-8	LATCH		4				
A05A	804886-2	BTW450RFE MODEL NO. LABEL		1				
A05C	837645-9	INNER TRAY		1				
A05D	837645-9	INNER TRAY		1				
A06C	800S18-3	BTW450RFJ INDICATION LABEL		1				
A06D	800S20-6	BTW450ZJ INDICATION LABEL		1				
A07C	800S19-1	BTW450RFJ PLASTIC CASE LABEL		2				
A07D	800S21-4	BTW450ZJ PLASTIC CASE LABEL		2				

Please order the parts with part number.

Print Date 25/6/2019