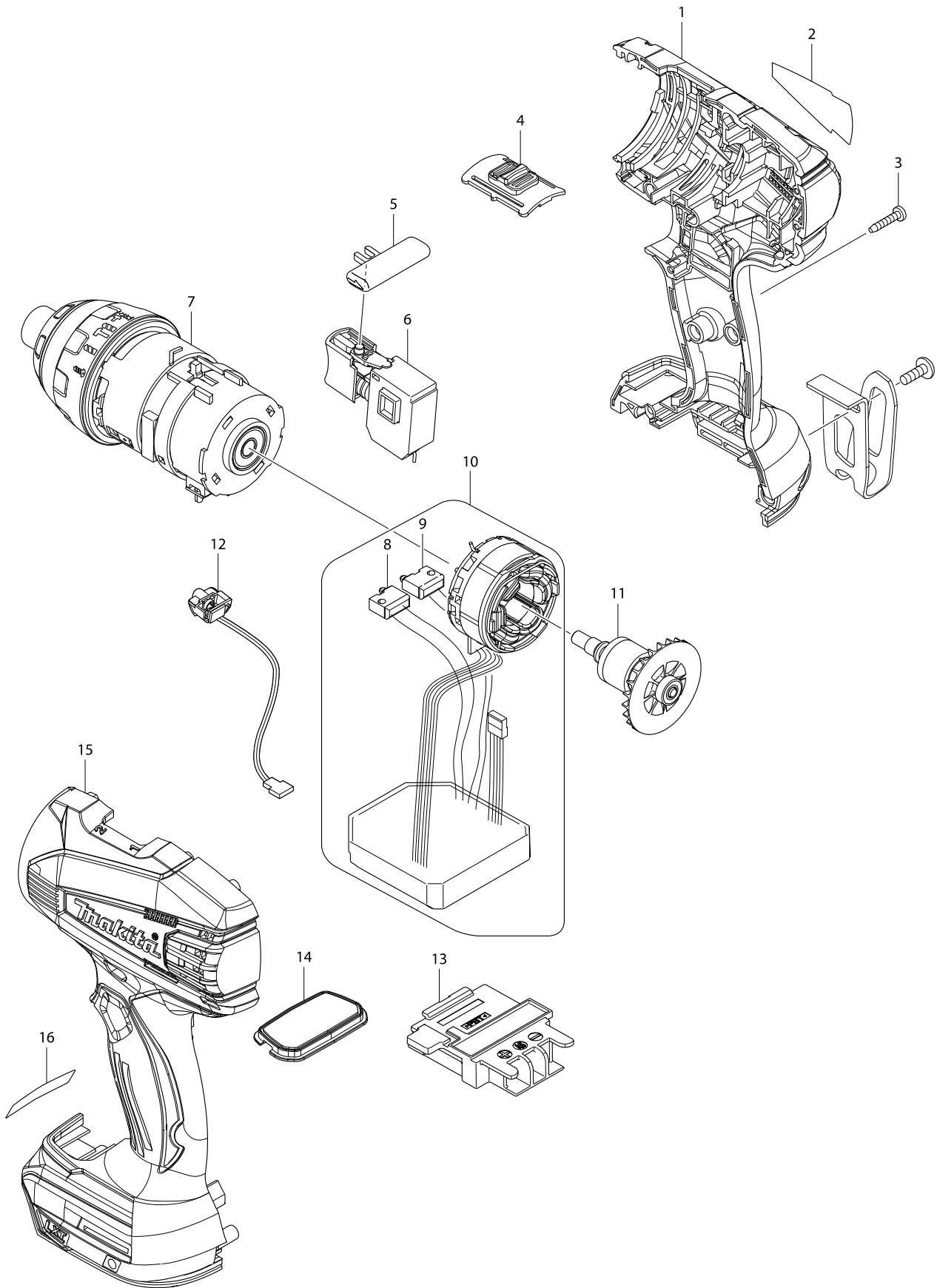
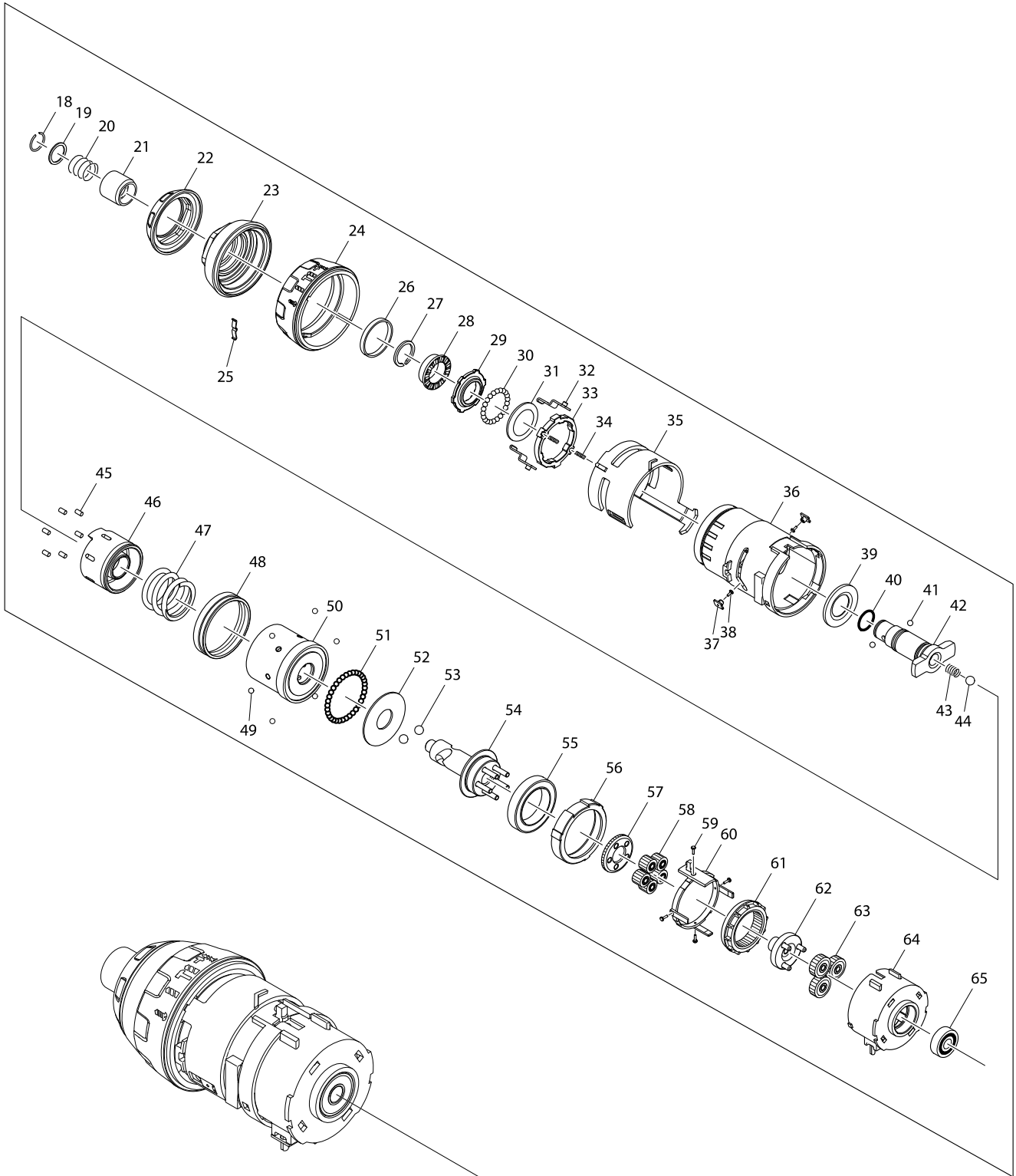


# Model No. BTP131 CORDLESS 4 MODE IMPACT DRIVER



# Model No. BTP131 CORDLESS 4 MODE IMPACT DRIVER



# Model No. BTP131 CORDLESS 4 MODE IMPACT DRIVER

Item	Parts No.	Description	I/C	Qty	N/O	Opt. 1	Opt. 2	Note
001	187266-0	HOUSING SET		1				
C10	263005-3	RUBBER PIN 6		2				
D10		INC. 15						
002	896495-1	BTP131 NAME PLATE		1				
003	266130-9	TAPPING SCREW BIND PT 3X16		9				
004	126105-9	SPEED CHANGE LEVER ASSEMBLY		1				
C10	234232-9	COMPRESSION SPRING 3		2				
005	419041-9	F/R CHANGE LEVER		1				
006	650673-5	SWITCH C3JW-1A		1				
007	126107-5	IMPACT ASSEMBLY M		1	*			
D10		INC. 18-65			*			
007-1	126341-7	IMPACT ASSEMBLY M	<	1				
D10		INC. 18-65						
008	638958-9	SWITCH UNIT		1				
009	638959-7	SWITCH UNIT		1				
010	638898-1	STATOR COMPLETE		1				
D10		INC. 8,9						
011	619292-6	ROTOR		1				
012	620092-9	LED CIRCUIT		1				
013	643850-6	TERMINAL		1				
014	141268-0	SWITCH PLATE COMPLETE		1				
015	187266-0	HOUSING SET		1				
C10	263005-3	RUBBER PIN 6		2				
D10		INC. 1						
018	231951-8	RING SPRING 11		1				
019	267085-1	FLAT WASHER 12		1				
020	233005-7	COMPRESSION SPRING 13		1				
021	324420-7	SLEEVE		1				
022	424485-0	BAMPER		1				
023	135505-2	HAMMER CASE ASS'Y		1				
024	453321-3	CHANGE RING		1				
025	232272-1	LEAF SPRING		1				
026	257809-3	SLEEVE 24		1				
027	961085-0	RETAINING RING WR-15		1				
028	223175-0	CAM A		1				
029	223176-8	CAM B		1				
030	216019-1	STEEL BALL 3		22				
031	267839-6	CUP WASHER		1				
032	346560-1	HAMMER CHANGE PLATE		2				
033	313227-6	HAMMER CHANGE RING		1				
034	234231-1	COMPRESSION SPRING 2		2				
035	453320-5	CHANGE CASE		1				
036	135504-4	GEAR CASE ASS'Y		1				
037	453324-7	PIN GUIDE		2				
038	256537-7	FLAT FILLISTER HD. PIN 1.2-3.5		2				
039	261130-4	NYLON WASHER 15		1				
040	213166-9	O RING 12.5		1				
041	216001-0	STEEL BALL 3.5		2				

# Model No. BTP131 CORDLESS 4 MODE IMPACT DRIVER

Item	Parts No.	Description	I/C	Qty	N/O	Opt. 1	Opt. 2	Note
042	326126-3	ANVIL M		1				
043	234233-7	COMPRESSION SPRING 5		1				
044	216011-7	STEEL BALL 5.6		1				
045	256272-7	PIN 2.5		6				
046	326123-9	HAMMER		1				
047	234234-5	COMPRESSION SPRING 22		1				
048	331977-1	CHANGE SLEEVE		1				
049	216019-1	STEEL BALL 3		6				
050	326124-7	OUTER HAMMER		1				
051	216019-1	STEEL BALL 3		34				
052	267453-8	FLAT WASHER 14		1				
053	216011-7	STEEL BALL 5.6		2				
054	141250-9	SPINDLE COMPLETE		1	*			
054-1	142037-2	SPINDLE COMPLETE	S	1				
055	211379-6	BALL BEARING 6805LLB		1				
056	453325-5	BEARING CASE		1				
057	227288-9	SPUR GEAR 41		1	*			
057-1	227319-4	SPUR GEAR 41	S	1				
058	227286-3	SPUR GEAR 14B		5	*			
058-1	227320-9	SPUR GEAR 14B	S	5				
059	268266-0	FLAT FILLISTER HD. PIN 1.2		4				
060	453323-9	CHANGE LEVER		1				
061	227287-1	INTERNAL GEAR 41		1				
062	141251-7	SPUR GEAR 14A COMPLETE		1				
063	227284-7	SPUR GEAR 21		3				
064	135506-0	MOTOR BRACKET ASS'Y		1				
065	211022-7	BALL BEARING 607ZZ		1				
A01	251314-2	+ SCREW M4X12		1				
A02	346317-0	HOOK		1				
A03B	***DC18RC	DC18RC FAST CHARGER		1				
A04B	194065-3	BATTERY BL1430 SET		2	*			
A04-1B	194065-3	BATTERY BL1430 SET	O	2				
A05B	450128-8	BATTERY COVER		1				
A06B	821550-0	CONNECTOR PLASTIC CASE (TYPE2)		1	*			
C10	453974-8	LATCH		4	*			
A06C	821550-0	CONNECTOR PLASTIC CASE (TYPE2)		1	*			
C10	453974-8	LATCH		4	*			
A06-1B	821550-0	CONNECTOR PLASTIC CASE (TYPE2)	<	1				
C10	453974-8	LATCH		4				
A06-1C	821550-0	CONNECTOR PLASTIC CASE (TYPE2)	<	1				
C10	453974-8	LATCH		4				
A07B	837670-0	INNER TRAY		1				
A07C	837670-0	INNER TRAY		1				
A08B	800S79-3	BTP131RFJ INDICATION LABEL		1				
A08C	800S81-6	BTP131ZJ INDICATION LABEL		1				
A09B	800S80-8	BTP131RFJ PLASTIC CASE LABEL		2				
A09C	800S82-4	BTP131ZJ PLASTIC CASE LABEL		2				