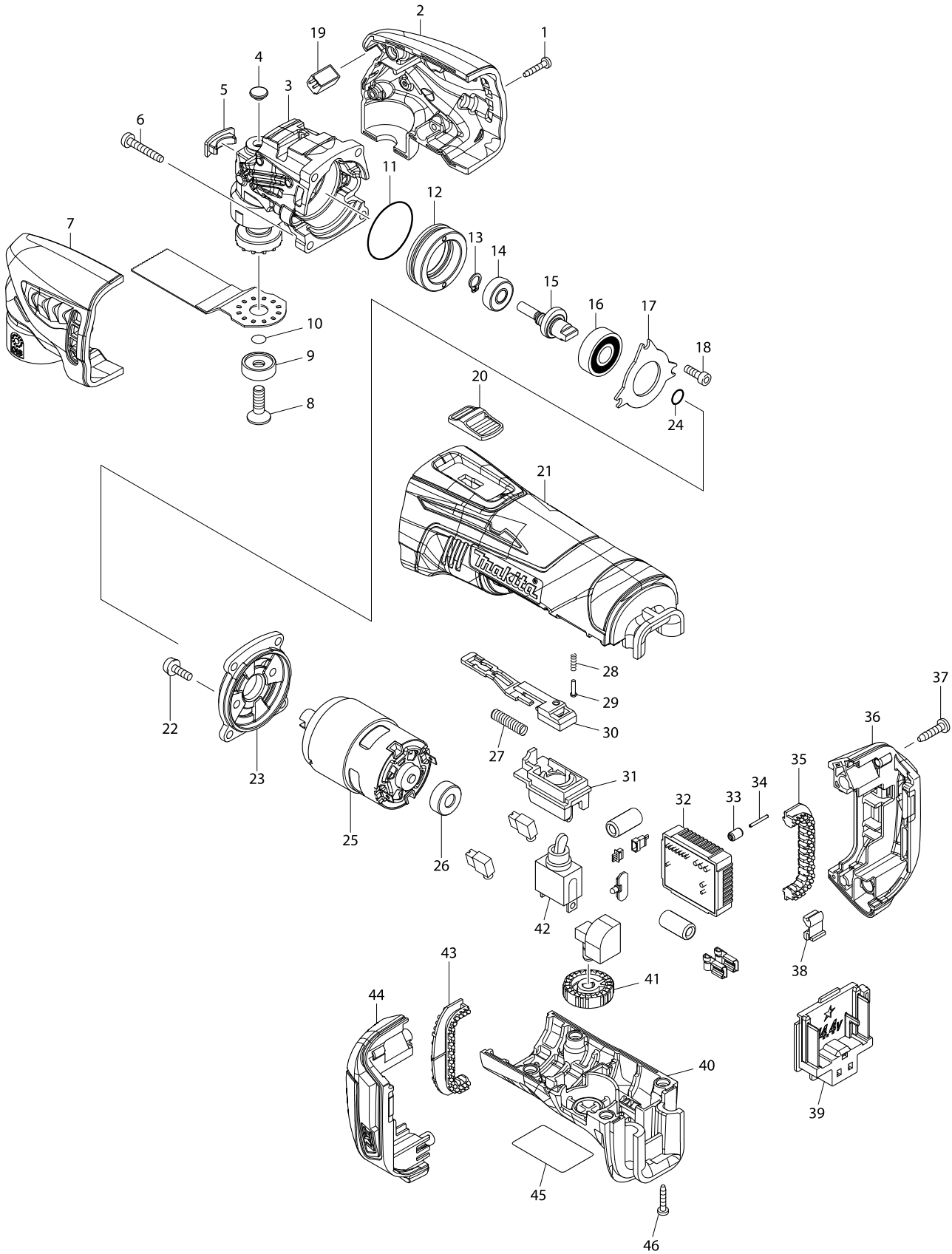


# Model No. BTM40 CORDLESS MULTI TOOL



# Model No. BTM40 CORDLESS MULTI TOOL

Item	Parts No.	Description	I/C	Qty	N/O	Opt. 1	Opt. 2	Note
001	266429-2	TAPPING SCREW 3X16		4				
002	187346-2	HEAD COVER SET		1				
D10		INC. 7						
003A	141581-6	CRANK HOUSING COMPLETE		1	*			
003B	141581-6	CRANK HOUSING COMPLETE		1	*			
003C	141581-6	CRANK HOUSING COMPLETE		1	*			
003D	141581-6	CRANK HOUSING COMPLETE		1	*			
003-1A	142076-2	CRANK HOUSING COMPLETE	<	1	*			
003-1B	142076-2	CRANK HOUSING COMPLETE	<	1	*			
003-1C	142076-2	CRANK HOUSING COMPLETE	<	1	*			
003-1D	142076-2	CRANK HOUSING COMPLETE	<	1	*			
003-1E	142076-2	CRANK HOUSING COMPLETE		1	*			
003-1F	142076-2	CRANK HOUSING COMPLETE		1	*			
003-2	142400-9	CRANK HOUSING COMPLETE	<	1				
004	424511-5	CRANK HOUSING CAP B		1				
005	424510-7	CRANK HOUSING CAP A		1				
006	266374-1	TAPPING SCREW 4X25		4				
007	187346-2	HEAD COVER SET		1				
D10		INC. 2						
008	266783-4	HEX.SOCKET C.S.H.SCREW M6X20		1				
009	224455-7	OUTER FLANGE 22		1				
010	213021-5	O RING 5		1				
011	213479-8	O RING 33		1				
012	326187-3	BEARING BOX		1				
013	961003-8	RETAINING RING S-7		1				
014	211392-4	SPHERE BEARING 706		1				
015	326186-5	CRANK SHAFT		1				
016	210059-1	BALL BEARING 6000DDW		1				
017	285856-4	BEARING RETAINER		1				
018	922117-8	HEX. SOCKET HEAD BOLT M4X12		3				
019	620146-2	LED CIRCUIT		1				
020	453761-5	SWITCH KNOB		1				
021	453755-0	MOTOR HOUSING		1				
022	911516-9	PAN HEAD SCREW M4X12		2				
023	453762-3	HOUSING COVER		1				
024	213030-4	O RING 8		1				
025	629954-8	DC MOTOR		1				
026	424520-4	CAP		1				
027	234263-8	COMPRESSION SPRING 5		1				
028	233002-3	COMPRESSION SPRING 3		1				
029	255058-6	RIVET 2		1				
030	453757-6	SWITCH LEVER		1				
031	453760-7	SWITCH CASE		1				
032	632A00-4	CONTROLLER UNIT		1				
C10	688161-2	LINE FILTER		2				
033	263036-2	RUBBER PIN 5		1				
034	268184-2	PIN 1.5		1				
035	424473-7	CUSHION RUBBER		1				

# Model No. BTM40 CORDLESS MULTI TOOL

Item	Parts No.	Description	I/C	Qty	N/O	Opt. 1	Opt. 2	Note
036A	187448-4	BATTERY HOUSING SET		1	*			
C10	263005-3	RUBBER PIN 6		2	*			
D10		INC. 44			*			
036B	187448-4	BATTERY HOUSING SET		1	*			
C10	263005-3	RUBBER PIN 6		2	*			
D10		INC. 44			*			
036C	187448-4	BATTERY HOUSING SET		1	*			
C10	263005-3	RUBBER PIN 6		2	*			
D10		INC. 44			*			
036D	187448-4	BATTERY HOUSING SET		1	*			
C10	263005-3	RUBBER PIN 6		2	*			
D10		INC. 44			*			
036-1A	187525-2	BATTERY HOUSING SET	S	1	*			
C10	263005-3	RUBBER PIN 6		2	*			
D10		INC. 44			*			
036-1B	187525-2	BATTERY HOUSING SET	S	1	*			
C10	263005-3	RUBBER PIN 6		2	*			
D10		INC. 44			*			
036-1C	187525-2	BATTERY HOUSING SET	S	1	*			
C10	263005-3	RUBBER PIN 6		2	*			
D10		INC. 44			*			
036-1D	187525-2	BATTERY HOUSING SET	S	1	*			
C10	263005-3	RUBBER PIN 6		2	*			
D10		INC. 44			*			
036-2A	187609-6	BATTERY HOUSING SET	<	1				
C10	263005-3	RUBBER PIN 6		2				
D10		INC. 44						
036-2B	187609-6	BATTERY HOUSING SET	<	1				
C10	263005-3	RUBBER PIN 6		2				
D10		INC. 44						
036-2C	187609-6	BATTERY HOUSING SET	<	1				
C10	263005-3	RUBBER PIN 6		2				
D10		INC. 44						
036-2D	187609-6	BATTERY HOUSING SET	<	1				
C10	263005-3	RUBBER PIN 6		2				
D10		INC. 44						
036-2E	187609-6	BATTERY HOUSING SET		1				
C10	263005-3	RUBBER PIN 6		2				
D10		INC. 44						
036-2F	187609-6	BATTERY HOUSING SET		1				
C10	263005-3	RUBBER PIN 6		2				
D10		INC. 44						
037	266326-2	TAPPING SCREW 4X18		2				
038	424026-2	CUSHION		1	*			
038-1	424476-1	CUSHION	<	1				
039A	643866-1	TERMINAL		1	*			
039B	643866-1	TERMINAL		1	*			
039C	643866-1	TERMINAL		1	*			

Item	Parts No.	Description	I/C	Qty	N/O	Opt. 1	Opt. 2	Note
039D	643866-1	TERMINAL		1	*			
039-1A	643854-8	TERMINAL	S	1				
039-1B	643854-8	TERMINAL	S	1				
039-1C	643854-8	TERMINAL	S	1				
039-1D	643854-8	TERMINAL	S	1				
039-1E	643854-8	TERMINAL		1				
039-1F	643854-8	TERMINAL		1				
040	453756-8	HANDLE COVER		1				
041	271617-8	DIAL 28		1				
042	651423-1	SWITCH		1				
043	424473-7	CUSHION RUBBER		1				
044A	187448-4	BATTERY HOUSING SET		1	*			
C10	263005-3	RUBBER PIN 6		2	*			
D10		INC. 36			*			
044B	187448-4	BATTERY HOUSING SET		1	*			
C10	263005-3	RUBBER PIN 6		2	*			
D10		INC. 36			*			
044C	187448-4	BATTERY HOUSING SET		1	*			
C10	263005-3	RUBBER PIN 6		2	*			
D10		INC. 36			*			
044D	187448-4	BATTERY HOUSING SET		1	*			
C10	263005-3	RUBBER PIN 6		2	*			
D10		INC. 36			*			
044-1A	187525-2	BATTERY HOUSING SET	S	1	*			
C10	263005-3	RUBBER PIN 6		2	*			
D10		INC. 36			*			
044-1B	187525-2	BATTERY HOUSING SET	S	1	*			
C10	263005-3	RUBBER PIN 6		2	*			
D10		INC. 36			*			
044-1C	187525-2	BATTERY HOUSING SET	S	1	*			
C10	263005-3	RUBBER PIN 6		2	*			
D10		INC. 36			*			
044-1D	187525-2	BATTERY HOUSING SET	S	1	*			
C10	263005-3	RUBBER PIN 6		2	*			
D10		INC. 36			*			
044-2A	187609-6	BATTERY HOUSING SET	<	1				
C10	263005-3	RUBBER PIN 6		2				
D10		INC. 36						
044-2B	187609-6	BATTERY HOUSING SET	<	1				
C10	263005-3	RUBBER PIN 6		2				
D10		INC. 36						
044-2C	187609-6	BATTERY HOUSING SET	<	1				
C10	263005-3	RUBBER PIN 6		2				
D10		INC. 36						
044-2D	187609-6	BATTERY HOUSING SET	<	1				
C10	263005-3	RUBBER PIN 6		2				
D10		INC. 36						
044-2E	187609-6	BATTERY HOUSING SET		1				

# Model No. BTM40 CORDLESS MULTI TOOL

Item	Parts No.	Description	I/C	Qty	N/O	Opt. 1	Opt. 2	Note
C10	263005-3	RUBBER PIN 6		2				
D10		INC. 36						
044-2F	187609-6	BATTERY HOUSING SET		1				
C10	263005-3	RUBBER PIN 6		2				
D10		INC. 36						
045	897375-4	BTM40 NAME PLATE		1				
046	266429-2	TAPPING SCREW 3X16		4				
A01	783233-9	HEX. WRENCH 5		1				
A02B	***DC18RC	DC18RC FAST CHARGER		1				
A02C	***DC18SD	DC18SD BATTERY CHARGER		1				
A02D	***DC18SD	DC18SD BATTERY CHARGER		1				
A02E	***DC18RC	DC18RC FAST CHARGER		1				
A03B	194065-3	BATTERY BL1430 SET		2	*			
A03C	194065-3	BATTERY BL1430 SET		2	*			
A03D	194065-3	BATTERY BL1430 SET		2	*			
A03E	194065-3	BATTERY BL1430 SET		2	*			
A03-1B	194065-3	BATTERY BL1430 SET	O	2				
A03-1C	194065-3	BATTERY BL1430 SET	O	2				
A03-1D	194065-3	BATTERY BL1430 SET	O	2				
A03-1E	194065-3	BATTERY BL1430 SET	O	2				
A04B	450128-8	BATTERY COVER		1				
A04C	450128-8	BATTERY COVER		1				
A04D	450128-8	BATTERY COVER		1				
A04E	450128-8	BATTERY COVER		1				
A05B	141562-0	PLASTIC CASE COMPLETE		1				
C10	162302-3	LATCH		2				
C20	324319-6	SHAFT		1				
C30	451749-9	HANDLE		1				
A05C	141562-0	PLASTIC CASE COMPLETE		1				
C10	162302-3	LATCH		2				
C20	324319-6	SHAFT		1				
C30	451749-9	HANDLE		1				
A05D	141562-0	PLASTIC CASE COMPLETE		1				
C10	162302-3	LATCH		2				
C20	324319-6	SHAFT		1				
C30	451749-9	HANDLE		1				
A05E	821551-8	CONNECTOR PLASTIC CASE (TYPE3)		1	*			
C10	453974-8	LATCH		4	*			
A05F	821551-8	CONNECTOR PLASTIC CASE (TYPE3)		1	*			
C10	453974-8	LATCH		4	*			
A05-1E	821551-8	CONNECTOR PLASTIC CASE (TYPE3)	<	1				
C10	453974-8	LATCH		4				
A05-1F	821551-8	CONNECTOR PLASTIC CASE (TYPE3)	<	1				
C10	453974-8	LATCH		4				
A06B	800B81-4	BTM40RFE PLASTIC CASE LABEL		2				
A06C	800B86-4	BTM40SFEX1 PLASTIC CASE LABEL		2				
A06D	800H45-4	BTM40SFE PLASTIC CASE LABEL		2				
A06E	837671-8	INNER TRAY		1				

