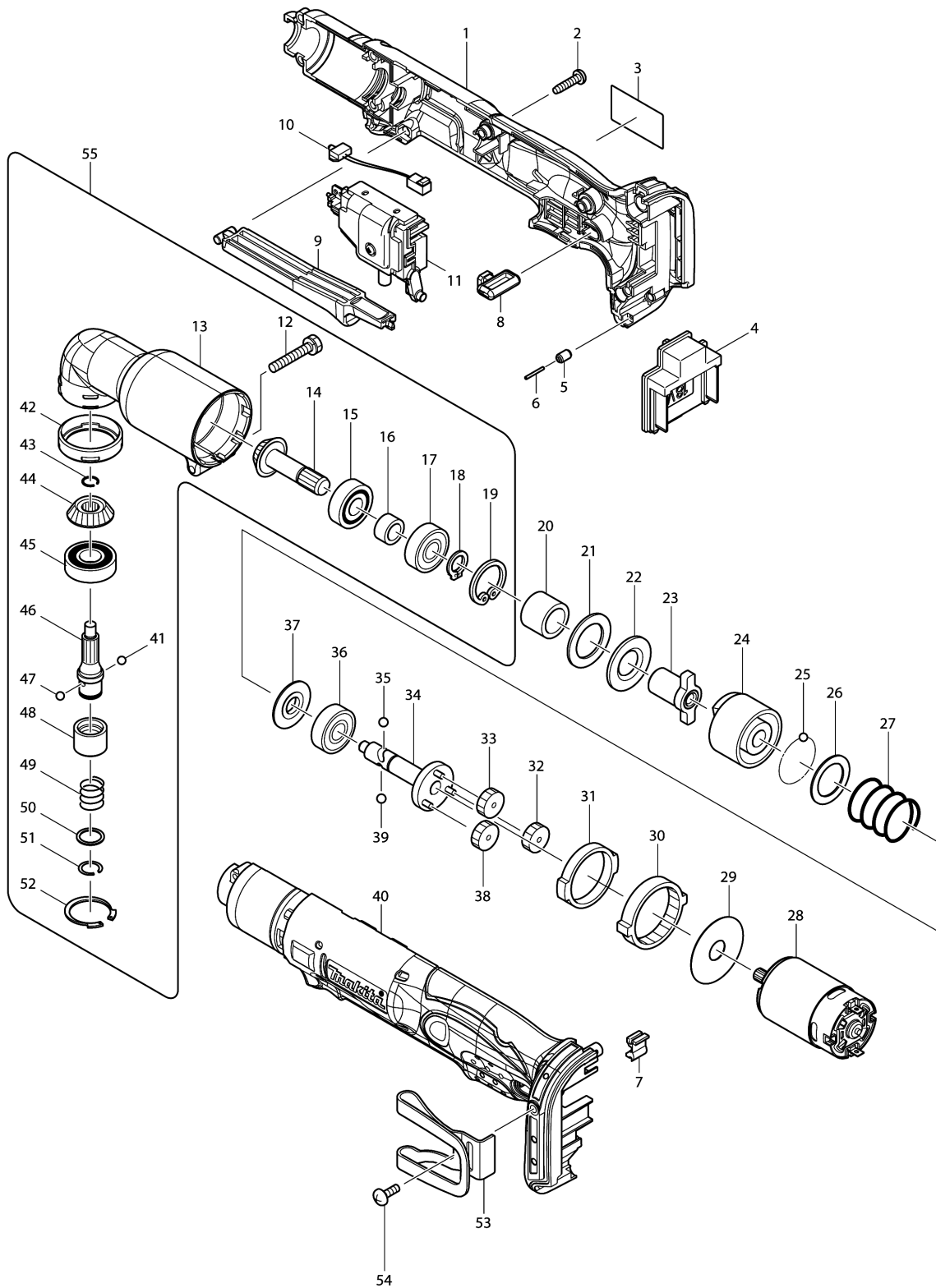


# Model No.BTL061 CORDLESS ANGLE IMPACT DRIVER





## Model No.BTL061 CORDLESS ANGLE IMPACT DRIVER

Item	Parts No.	Description	I/C	Qty	New/Old	Opt. 1	Opt. 2	Note
001A	188397-8	HOUSING SET		1	*			
C10	263005-3	RUBBER PIN 6		2	*			
D10		INC. 40			*			
001B	188397-8	HOUSING SET		1	*			
C10	263005-3	RUBBER PIN 6		2	*			
D10		INC. 40			*			
001-1A	187502-4	HOUSING SET	X	1				
C10	263005-3	RUBBER PIN 6		2				
D10		INC. 40						
001-1B	187502-4	HOUSING SET	X	1				
C10	263005-3	RUBBER PIN 6		2				
D10		INC. 40						
001-1C	187502-4	HOUSING SET		1				
C10	263005-3	RUBBER PIN 6		2				
D10		INC. 40						
001-1D	187502-4	HOUSING SET		1				
C10	263005-3	RUBBER PIN 6		2				
D10		INC. 40						
002	265995-6	TAPPING SCREW 4X18		8				
003	864078-5	BTL061 NAME PLATE		1				
004A	643812-4	TERMINAL		1	*			
004B	643812-4	TERMINAL		1	*			
004-1A	643843-3	TERMINAL	<	1	*			
004-1B	643843-3	TERMINAL	<	1	*			
004-2A	643852-2	TERMINAL	X	1				
004-2B	643852-2	TERMINAL	X	1				
004-2C	643852-2	TERMINAL		1				
004-2D	643852-2	TERMINAL		1				
005	263036-2	RUBBER PIN 5		1				
006	268184-2	PIN 1.5		1				
007	424026-2	CUSHION		1				
008	450126-2	FR CHANGE LEVER		1				
009	450125-4	SWITCH LEVER		1				
010	631778-0	LED CIRCUIT		1				
011A	650594-1	SWITCH C3HY-1A-PLM		1	*			
011B	650594-1	SWITCH C3HY-1A-PLM		1	*			
011-1A	638884-2	SWITCH UNIT	X	1				
011-1B	638884-2	SWITCH UNIT	X	1				
011-1C	638884-2	SWITCH UNIT		1				
011-1D	638884-2	SWITCH UNIT		1				
012	265409-5	+ HEX. BOLT M5X30		1				
013	152461-1	ANGLE HEAD COMPLETE		1				

Please order the parts with part number.

Print Date 25/6/2019

## Model No.BTL061 CORDLESS ANGLE IMPACT DRIVER

Item	Parts No.	Description	I/C	Qty	New/Old	Opt. 1	Opt. 2	Note
014	226720-0	ZEROL BEVEL GEAR 13		1				
015	211064-1	BALL BEARING 6000		1				
016	257660-1	SLEEVE 10		1				
017	211061-7	BALL BEARING 6000LLB		1				
018	961006-2	RETAINING RING S-10		1				
019	962105-3	RETAINING RING R-26		1				
020	257662-7	SLEEVE 15		1				
021	261095-0	RUBBER WASHER 21		1				
022	267120-5	FLAT WASHER 15		1				
023	322689-7	ANVIL		1				
024	322688-9	HAMMER		1				
025	216001-0	STEEL BALL 3.5		22				
026	267121-3	FLAT WASHER 20		1				
027	233107-9	COMPRESSION SPRING 22		1				
028A	629846-1	DC MOTOR		1	*			
028B	629846-1	DC MOTOR		1	*			
028-1A	629966-1	DC MOTOR	X	1				
028-1B	629966-1	DC MOTOR	X	1				
028-1C	629966-1	DC MOTOR		1				
028-1D	629966-1	DC MOTOR		1				
029	267053-4	FLAT WASHER 12		1				
030	226280-2	INTERNAL GEAR 69		1				
031	257187-1	RING 32		1				
032	226279-7	SPUR GEAR 29		1				
033	226279-7	SPUR GEAR 29		1				
034	154416-2	SPINDLE COMPLETE		1				
035	216002-8	STEEL BALL 4.8		1				
036	211064-1	BALL BEARING 6000		1				
037	322719-4	WASHER 10		1				
038	226279-7	SPUR GEAR 29		1				
039	216002-8	STEEL BALL 4.8		1				
040A	188397-8	HOUSING SET		1	*			
C10	263005-3	RUBBER PIN 6		2	*			
D10		INC. 1			*			
040B	188397-8	HOUSING SET		1	*			
C10	263005-3	RUBBER PIN 6		2	*			
D10		INC. 1			*			
040-1A	187502-4	HOUSING SET	X	1				
C10	263005-3	RUBBER PIN 6		2				
D10		INC. 1						
040-1B	187502-4	HOUSING SET	X	1				
C10	263005-3	RUBBER PIN 6		2				

Please order the parts with part number.

Print Date 25/6/2019

## Model No.BTL061 CORDLESS ANGLE IMPACT DRIVER

Item	Parts No.	Description	I/C	Qty	New/Old	Opt. 1	Opt. 2	Note
D10		INC. 1						
040-1C	187502-4	HOUSING SET		1				
C10	263005-3	RUBBER PIN 6		2				
D10		INC. 1						
040-1D	187502-4	HOUSING SET		1				
C10	263005-3	RUBBER PIN 6		2				
D10		INC. 1						
041A	216001-0	STEEL BALL 3.5	S	1				
041B	216001-0	STEEL BALL 3.5	S	1				
041C	216001-0	STEEL BALL 3.5		1				
041D	216001-0	STEEL BALL 3.5		1				
042	424044-0	RUBBER RING 32		1				
043	231990-8	RING SPRING 9		1				
044	226721-8	ZEROL BEVEL GEAR 13		1				
045	211131-2	BALL BEARING 6001DDW		1				
046A	323921-2	SPINDLE		1	*			
046B	323921-2	SPINDLE		1	*			
046-1A	323920-4	SPINDLE M	S	1				
046-1B	323920-4	SPINDLE M	S	1				
046-1C	323920-4	SPINDLE M		1				
046-1D	323920-4	SPINDLE M		1				
047A	216001-0	STEEL BALL 3.5	S	1				
047B	216001-0	STEEL BALL 3.5	S	1				
047C	216001-0	STEEL BALL 3.5		1				
047D	216001-0	STEEL BALL 3.5		1				
048A	322718-6	SLEEVE	S	1				
048B	322718-6	SLEEVE	S	1				
048C	322718-6	SLEEVE		1				
048D	322718-6	SLEEVE		1				
049A	233005-7	COMPRESSION SPRING 13	S	1				
049B	233005-7	COMPRESSION SPRING 13	S	1				
049C	233005-7	COMPRESSION SPRING 13		1				
049D	233005-7	COMPRESSION SPRING 13		1				
050A	267085-1	FLAT WASHER 12	S	1				
050B	267085-1	FLAT WASHER 12	S	1				
050C	267085-1	FLAT WASHER 12		1				
050D	267085-1	FLAT WASHER 12		1				
051A	231956-8	RING SPRING 6		1	*			
051B	231956-8	RING SPRING 6		1	*			
051-1A	231951-8	RING SPRING 11	S	1				
051-1B	231951-8	RING SPRING 11	S	1				
051-1C	231951-8	RING SPRING 11		1				

Please order the parts with part number.

Print Date 25/6/2019

## Model No.BTL061 CORDLESS ANGLE IMPACT DRIVER

Item	Parts No.	Description	I/C	Qty	New/Old	Opt. 1	Opt. 2	Note
051-1D	231951-8	RING SPRING 11		1				
052	962116-8	RETAINING RING R-28		1				
053	324705-1	HOOK		1	*			
053-1	346317-0	HOOK	O	1				
054	251314-2	+ SCREW M4X12		1				
055	135183-8	ANGLE HEAD ASS'Y		1				
D10		INC. 12-19,41-52						
A01B	***DC18RA	DC18RA FAST CHARGER		1	*			
A01-1B	***DC18RC	DC18RC FAST CHARGER	<	1				
A01-1C	***DC18RC	DC18RC FAST CHARGER		1				
A02B	194204-5	BATTERY BL1830 SET		2	*			
A02-1B	194204-5	BATTERY BL1830 SET	O	2	*			
A02-2B	194204-5	BATTERY BL1830 SET	O	2	*			
A02-2C	194204-5	BATTERY BL1830 SET		2	*			
A02-3B	194204-5	BATTERY BL1830 SET	O	2	*			
A02-3C	194204-5	BATTERY BL1830 SET	O	2	*			
A02-4B	197600-6	BATTERY BL1830B SET	<	2	*			
A02-4C	197600-6	BATTERY BL1830B SET	<	2	*			
A02-5B	197600-6	BATTERY BL1830B SET	O	2				
A02-5C	197600-6	BATTERY BL1830B SET	O	2				
A03B	450128-8	BATTERY COVER		1				
A03C	450128-8	BATTERY COVER		2				
A04B	824816-7	PLASTIC CARRYING CASE		1	*			
C10	163455-1	LATCH		2	*			
C20	419360-3	HANDLE		1	*			
A04C	821550-0	CONNECTOR PLASTIC CASE (TYPE2)		1	*			
C10	453974-8	LATCH		4	*			
A04D	821550-0	CONNECTOR PLASTIC CASE (TYPE2)		1	*			
C10	453974-8	LATCH		4	*			
A04-1B	141493-3	PLASTIC CARRYING CASE	<	1				
C10	163455-1	LATCH		2				
C20	419360-3	HANDLE		1				
A04-1C	821550-0	CONNECTOR PLASTIC CASE (TYPE2)	<	1				
C10	453974-8	LATCH		4				
A04-1D	821550-0	CONNECTOR PLASTIC CASE (TYPE2)	<	1				
C10	453974-8	LATCH		4				
A05B	805903-1	BTL061RFE MODEL NO. LABEL		1				
A05C	837644-1	INNER TRAY		1				
A05D	837644-1	INNER TRAY		1				
A06C	800V46-6	BTL061RFJ INDICATION LABEL		1				

Please order the parts with part number.

Print Date 25/6/2019

## Model No.BTL061 CORDLESS ANGLE IMPACT DRIVER

Item	Parts No.	Description	I/C	Qty	New/Old	Opt. 1	Opt. 2	Note
A06D	800V48-2	BTL061ZJ INDICATION LABEL		1				
A07C	800V47-4	BTL061RFJ PLASTIC CASE LABEL		2				
A07D	800V49-0	BTL061ZJ PLASTIC CASE LABEL		2				

Please order the parts with part number.

Print Date 25/6/2019