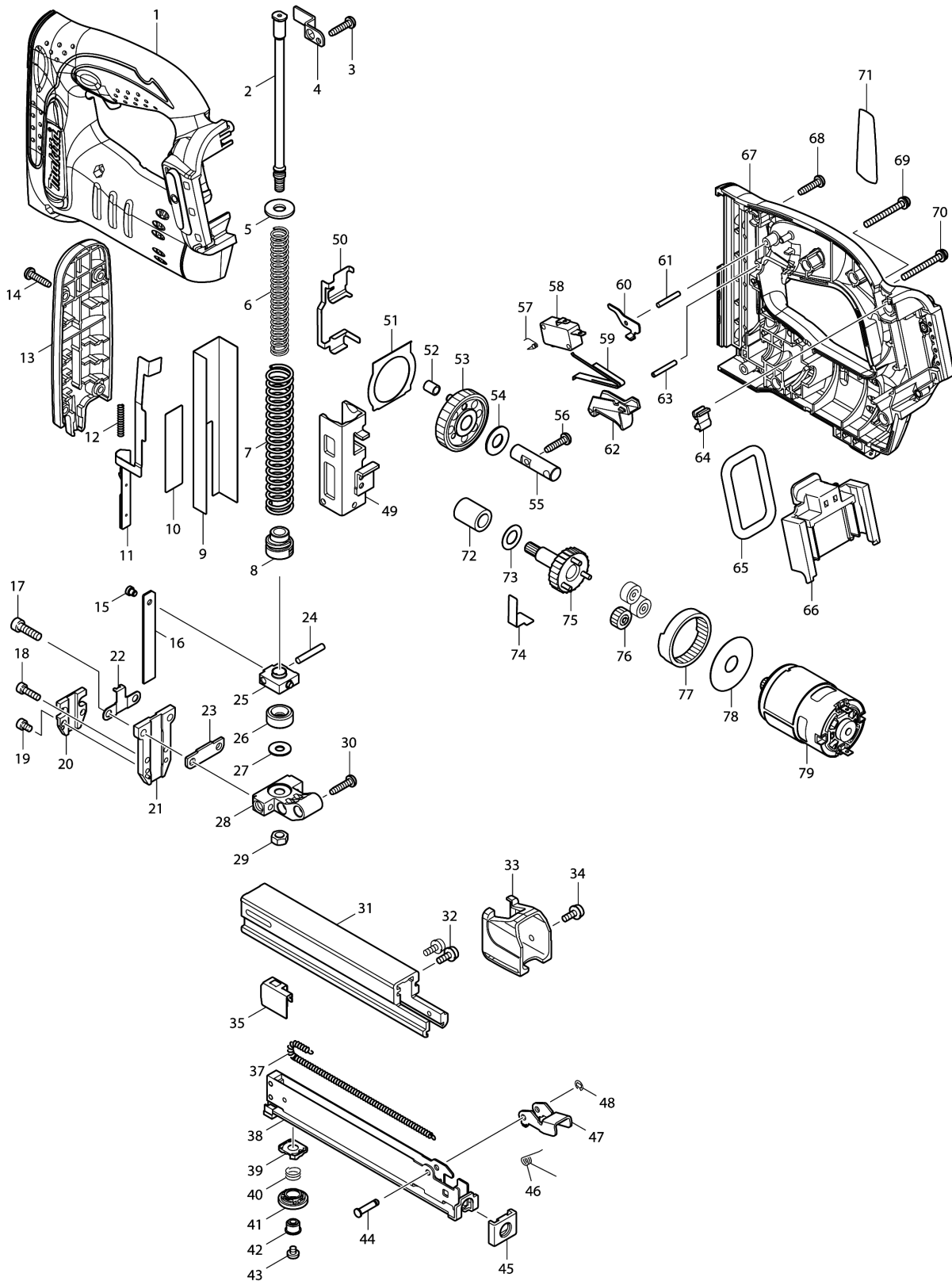


Model No.BST221 CORDLESS STAPLER



Model No.BST221 CORDLESS STAPLER

Item	Parts No.	Description	I/C	Qty	New/Old	Opt. 1	Opt. 2	Note
001	188588-1	HOUSING SET		1	*			
C10	263005-3	RUBBER PIN 6		2	*			
D10		INC. 67			*			
001-1	187938-7	HOUSING SET	X	1				
C10	263005-3	RUBBER PIN 6		2				
D10		INC. 67						
002-1	325635-9	GUIDE BOLT		1				
003	265995-6	TAPPING SCREW 4X18		1				
004	345907-6	FIX PLATE		1				
005	253762-1	FLAT WASHER 8		1				
006	234060-2	COMPRESSION SPRING 9		1				
007-1	234101-4	COMPRESSION SPRING 13		1				
008	424135-7	SPRING HOLDER		1				
009	345978-3	GUIDE PLATE		1				
010	345906-8	UPPER PLATE		1				
011A	165503-2	SAFETY LEVER		1	*			
011B	165503-2	SAFETY LEVER		1	*			
011-1A	165602-0	SAFETY LEVER	S	1	*			
011-1B	165602-0	SAFETY LEVER	S	1	*			
011-1C	165602-0	SAFETY LEVER		1	*			
011-1D	165602-0	SAFETY LEVER		1	*			
011-2	161468-6	SAFETY LEVER	S	1				
012	234078-3	COMPRESSION SPRING 4		1				
013	450539-7	FRONT COVER		1				
014	265995-6	TAPPING SCREW 4X18		4				
015	268157-5	PIN 4		1				
016	345996-1	DRIVER		1				
017	922227-1	HEX. SOCKET HEAD BOLT M5X18		2				
018	266201-2	HEX.SOCKET HEAD BOLT M4X14		2				
019	266199-3	HEX.SOCKET HEAD BOLT M4X6		2				
020A	450541-0	SAEFTY LEVER GUIDE		1	*			
020B	450541-0	SAEFTY LEVER GUIDE		1	*			
020-1A	451801-3	SAEFTY LEVER GUIDE	S	1	*			
020-1B	451801-3	SAEFTY LEVER GUIDE	S	1	*			
020-1C	451801-3	SAEFTY LEVER GUIDE		1	*			
020-1D	451801-3	SAEFTY LEVER GUIDE		1	*			
020-2	456800-0	SAEFTY LEVER GUIDE	S	1				
021	158759-4	DRIVER GUIDE COMPLETE		1				
022	345910-7	SPRING BASE		1				
023	344670-8	SET PLATE		1				
024	256206-0	PIN 4		1				

Please order the parts with part number.

Print Date 25/6/2019

Model No.BST221 CORDLESS STAPLER

Item	Parts No.	Description	I/C	Qty	New/Old	Opt. 1	Opt. 2	Note
025	313150-5	DRIVER LOCK		1				
026	424099-5	CUSHION		1				
027	253804-1	FLAT WASHER 6		1				
028	318267-9	HOLDER		1				
029	931302-2	HEX. NUT M6		1				
030	265995-6	TAPPING SCREW 4X18		1				
031-1	331842-4	MAIN MAGAZINE		1				
032	911113-1	PAN HEAD SCREW M4X10 WITH WR		2				
033	450540-2	END CAP		1				
034	911113-1	PAN HEAD SCREW M4X10 WITH WR		1				
035	345997-9	PUSHER		1				
037	231854-6	TENSION SPRING 3		1				
038	165532-5	SUB MAGAZINE		1				
039	450775-5	ADJUSTER BASE		1				
040	231323-7	COMPRESSION SPRING 9		1				
041	450702-2	ADJUSTER		1				
042	450774-7	LOCK SLEEVE		1				
043	265127-5	+ PAN HEAD SCREW M4X4		1				
044	268029-4	PIN 4		1				
045	421637-4	MAGAZINE END		1				
046	233528-5	TORSION SPRING 5		1				
047	345861-4	LEVER		1				
048	961017-7	STOP RING E-3		1				
049	165506-6	HAMMER		1				
050	345914-9	SLIDE PLATE		1				
051	343629-2	PLATE		1				
052	257772-0	SLEEVE 5		1				
053	158646-7	SPUR GEAR 55 COMPLETE		1				
054	253171-4	FLAT WASHER 10		1				
055	324947-7	PIN 10		1				
056	265995-6	TAPPING SCREW 4X18		1				
057	233531-6	TORSION SPRING 3		1				
058	651891-8	SWITCH V-15-3A6		1				
059	232240-4	LEAF SPRING		1				
060	345908-4	RELEASE PLATE		1				
061	256221-4	PIN 3		1				
062	450536-3	TRIGGER		1				
063	256221-4	PIN 3		1				
064	424026-2	CUSHION		1				
065	424030-1	CUSHION		1				
066-1	643841-7	TERMINAL		1	*			

Please order the parts with part number.

Print Date 25/6/2019

Model No.BST221 CORDLESS STAPLER

Item	Parts No.	Description	I/C	Qty	New/Old	Opt. 1	Opt. 2	Note
066-2	644812-7	TERMINAL	X	1				
067	188588-1	HOUSING SET		1	*			
C10	263005-3	RUBBER PIN 6		2	*			
D10		INC. 1			*			
067-1	187938-7	HOUSING SET	X	1				
C10	263005-3	RUBBER PIN 6		2				
D10		INC. 1						
068	265995-6	TAPPING SCREW 4X18		6				
069	911163-6	PAN HEAD SCREW M4X35		1				
070	911163-6	PAN HEAD SCREW M4X35		1				
071	865830-4	BST221 NAME PLATE		1				
072	214058-5	PLANE BEARING 10		1				
073	253758-2	FLAT WASHER 10		1				
074	232241-2	LEAF SPRING		1				
075	158647-5	SPUR GEAR 7 COMPLETE		1				
076	221961-3	SPUR GEAR 27		3				
077	221999-8	INTERNAL GEAR 69		1				
078	267053-4	FLAT WASHER 12		1				
079	629858-4	DC MOTOR		1	*			
079-1	629125-7	DC MOTOR	X	1				
A01A	192517-8	SAFETY GOGGLE		1	*			
A01B	192517-8	SAFETY GOGGLE		1	*			
A01-1A	195246-2	SAFETY GOGGLE	<	1	*			
A01-1B	195246-2	SAFETY GOGGLE	<	1	*			
A01-1C	195246-2	SAFETY GOGGLE		1	*			
A01-1D	195246-2	SAFETY GOGGLE		1	*			
A02	251314-2	+ SCREW M4X12		1				
A03A	324705-1	HOOK		1	*			
A03B	324705-1	HOOK		1	*			
A03-1A	346317-0	HOOK	O	1				
A03-1B	346317-0	HOOK	O	1				
A03-1C	346317-0	HOOK		1				
A03-1D	346317-0	HOOK		1				
A04A	824863-8	PLASTIC CARRYING CASE		1	*			
C10	324667-3	SHAFT		1	*			
C20	413098-2	PLATE		4	*			
C30	417724-5	LATCH		2	*			
C40	419215-2	PLASTIC CASE LID		1	*			
C50	419216-0	HANDLE		1	*			
A04C	821550-0	CONNECTOR PLASTIC CASE (TYPE2)		1	*			
C10	453974-8	LATCH		4	*			

Please order the parts with part number.

Print Date 25/6/2019

Model No.BST221 CORDLESS STAPLER

Item	Parts No.	Description	I/C	Qty	New/Old	Opt. 1	Opt. 2	Note
A04D	821550-0	CONNECTOR PLASTIC CASE (TYPE2)		1	*			
C10	453974-8	LATCH		4	*			
A04-1A	141074-3	PLASTIC CARRYING CASE COMPLETE	<	1				
C10	324667-3	SHAFT		1				
C20	413098-2	PLATE		4				
C30	417724-5	LATCH		2				
C40	419215-2	PLASTIC CASE LID		1				
C50	419216-0	HANDLE		1				
A04-1C	821550-0	CONNECTOR PLASTIC CASE (TYPE2)	<	1				
C10	453974-8	LATCH		4				
A04-1D	821550-0	CONNECTOR PLASTIC CASE (TYPE2)	<	1				
C10	453974-8	LATCH		4				
A05A	807978-6	BST221RFE PLASTIC CASE LABEL		1				
A05C	837640-9	INNER TRAY		1				
A05D	837640-9	INNER TRAY		1				
A06A	194204-5	BATTERY BL1830 SET		2	*			
A06D	801A27-7	BST221ZJ INDICATION LABEL		1				
A06-1A	194204-5	BATTERY BL1830 SET	O	2	*			
A06-2A	194204-5	BATTERY BL1830 SET	O	2	*			
A06-2C	194204-5	BATTERY BL1830 SET		2	*			
A06-3A	194204-5	BATTERY BL1830 SET	O	2	*			
A06-3C	194204-5	BATTERY BL1830 SET	O	2	*			
A06-4A	197600-6	BATTERY BL1830B SET	<	2	*			
A06-4C	197600-6	BATTERY BL1830B SET	<	2	*			
A06-5A	197600-6	BATTERY BL1830B SET	O	2				
A06-5C	197600-6	BATTERY BL1830B SET	O	2				
A07A	450128-8	BATTERY COVER		1				
A07C	450128-8	BATTERY COVER		1				
A07D	801A28-5	BST221ZJ PLASTIC CASE LABEL		2				
A08A	***DC18RA	DC18RA FAST CHARGER		1	*			
A08-1A	***DC18RC	DC18RC FAST CHARGER	<	1				
A08-1C	***DC18RC	DC18RC FAST CHARGER		1				
A09C	801A25-1	BST221RFJ INDICATION LABEL		1				
A10C	801A26-9	BST221RFJ PLASTIC CASE LABEL		2				

Please order the parts with part number.

Print Date 25/6/2019