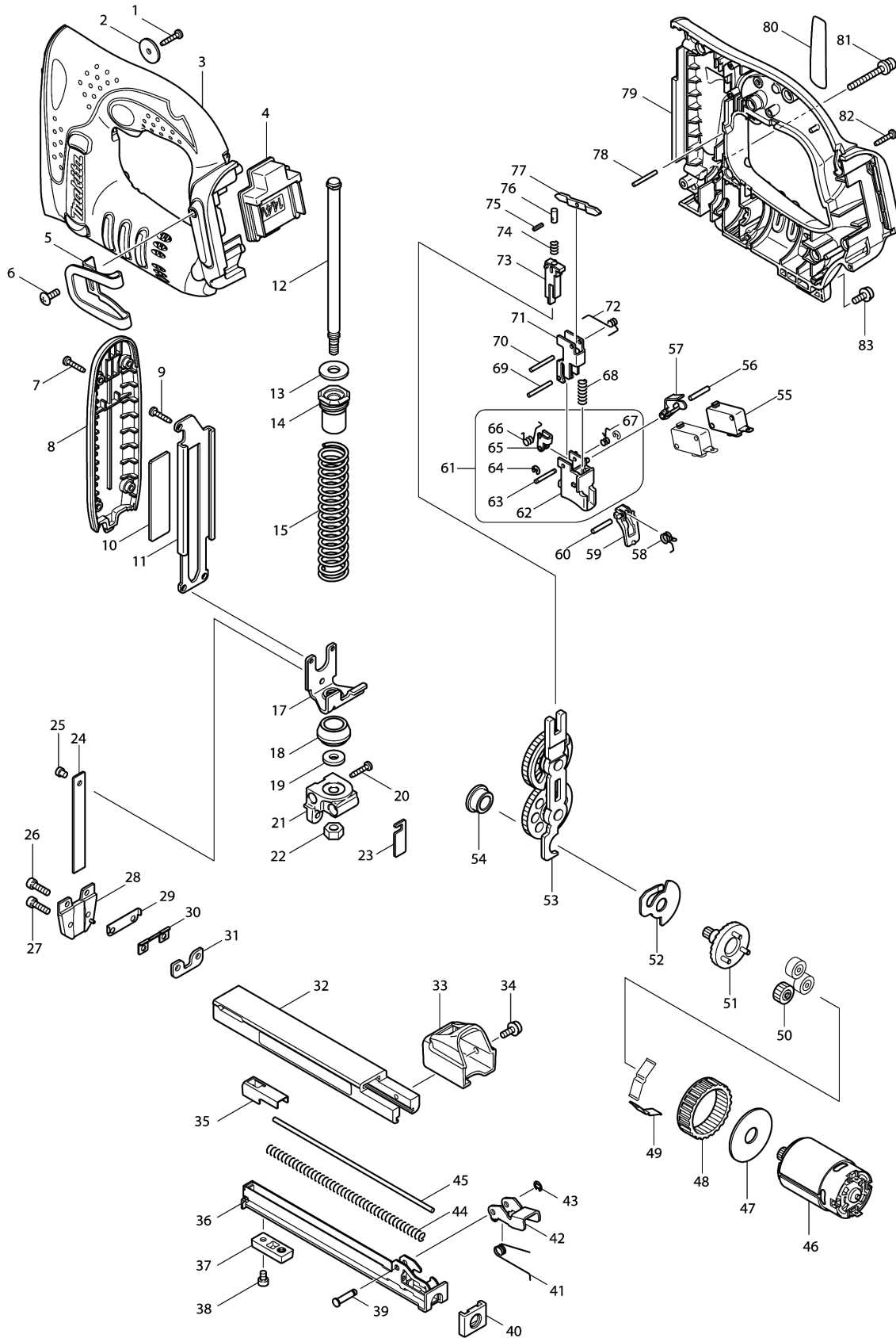


Model No.BST110 14.4V CORDLESS STAPLER



Model No.BST110 14.4V CORDLESS STAPLER

Item	Parts No.	Description	I/C	Qty	New/Old	Opt. 1	Opt. 2	Note
001	266130-9	TAPPING SCREW BIND PT 3X16		1				
002	267071-2	FLAT WASHER 4		1				
003	188467-3	HOUSING SET		1	*			
D10		INC. 79			*			
003-1	187887-8	HOUSING SET	X	1				
D10		INC. 79						
004	643811-6	TERMINAL		1	*			
004-1	643828-9	TERMINAL	X	1				
005A	324705-1	HOOK		1	*			
005B	324705-1	HOOK		1	*			
005-1A	346317-0	HOOK	O	1				
005-1B	346317-0	HOOK	O	1				
005-1C	346317-0	HOOK		1				
005-1D	346317-0	HOOK		1				
006	251314-2	+ SCREW M4X12		1				
007	266130-9	TAPPING SCREW BIND PT 3X16		4				
008	419450-2	FRONT COVER		1				
009	266130-9	TAPPING SCREW BIND PT 3X16		1				
010	345704-0	UPPER PLATE		1				
011	345703-2	RAIL		1				
012	324683-5	GUIDE BOLT		1				
013	253762-1	FLAT WASHER 8		1				
014	421962-3	SPRING HOLDER		1				
015	234035-1	COMPRESSION SPRING 16		1				
017	345865-6	HAMMER		1				
018	424059-7	CUSHION		1				
019	253804-1	FLAT WASHER 6		1				
020	266130-9	TAPPING SCREW BIND PT 3X16		1				
021	318025-3	HOLDER		1				
022	931302-2	HEX. NUT M6		1				
023	345864-8	TRIGGER PLATE		1				
024	345857-5	DRIVER		1				
025	268189-2	PIN 4		1				
026	922122-5	HEX.SOCKET HEAD BOLT M4X14		2				
027	922122-5	HEX.SOCKET HEAD BOLT M4X14		2				
028	158417-2	DRIVER GUIDE COMPLETE		1				
029	345863-0	SPACER		1				
030	345862-2	SPACER PLATE		1				
031	345860-6	SET PLATE		1				
032	158661-1	MAIN MAGAZINE COMPLETE		1				

Please order the parts with part number.

Print Date 3/6/2019

Model No.BST110 14.4V CORDLESS STAPLER

Item	Parts No.	Description	I/C	Qty	New/Old	Opt. 1	Opt. 2	Note
C10	813728-9	SAFETY INSTRUCTION LABEL		1				
033	450224-2	END CAP		1				
034	911113-1	PAN HEAD SCREW M4X10 WITH WR		1				
035	345858-3	PUSHER		1				
036	165479-3	SUB MAGAZINE		1				
037	450225-0	FOOT		1				
038	265127-5	+ PAN HEAD SCREW M4X4		1				
039	268029-4	PIN 4		1				
040	421637-4	MAGAZINE END		1				
041	233519-6	TORSION SPRING 5		1				
042	345861-4	LEVER		1				
043	961017-7	STOP RING E-3		1				
044	234036-9	COMPRESSION SPRING 5		1				
045	324836-6	ROD		1				
046	629848-7	DC MOTOR		1	*			
046-1	629910-8	DC MOTOR	X	1				
047	267053-4	FLAT WASHER 12		1				
048	227166-3	INTERNAL GEAR 69		1				
049	232230-7	LEAF SPRING		2				
050	221961-3	SPUR GEAR 27		3				
051	154973-0	SPUR GEAR 7 COMPLETE		1				
052	345773-1	ANTI BACK PLATE		1				
053	158418-0	SPUR GEAR 55 COMPLETE		1				
054	214060-8	PLANE BEARING 10		1				
055	651891-8	SWITCH V-15-3A6		2				
056	256299-7	PIN 3		1				
057	419453-6	LINK PLATE		1				
058	231693-4	TORSION SPRING 4		1				
059	419454-4	SAFETY TRIGGER		1				
060	256299-7	PIN 3		1				
061	188168-3	TRIGGER SET		1				
D10		INC. 62-67						
062	419451-0	TRIGGER		1				
063	256771-9	PIN 2.5		1				
064	257926-9	STOP RING E-2.0		2				
065	345707-4	SWING ARM		1				
066	231694-2	TORSION SPRING 3		1				
067	231695-0	TORSION SPRING 3		1				
068	234037-7	COMPRESSION SPRING 5		1				
069	256176-3	PIN 2.5		1				
070	256176-3	PIN 2.5		1				
071	345706-6	GUIDE PLATE		1				

Please order the parts with part number.

Print Date 3/6/2019

Model No.BST110 14.4V CORDLESS STAPLER

Item	Parts No.	Description	I/C	Qty	New/Old	Opt. 1	Opt. 2	Note
072	231692-6	TORSION SPRING 4		1				
073A	168431-0	CAM BLOCK		1	*			
073B	168431-0	CAM BLOCK		1	*			
073-1A	168489-9	CAM BLOCK	S	1				
073-1B	168489-9	CAM BLOCK	S	1				
073-1C	168489-9	CAM BLOCK		1				
073-1D	168489-9	CAM BLOCK		1				
074	233188-3	COMPRESSION SPRING 2.4		1				
075	951001-0	SPRING PIN 2-8		1				
076A	324684-3	PUSH PIN		1	*			
076B	324684-3	PUSH PIN		1	*			
076-1A	324923-1	PUSH PIN	S	1				
076-1B	324923-1	PUSH PIN	S	1				
076-1C	324923-1	PUSH PIN		1				
076-1D	324923-1	PUSH PIN		1				
077	345708-2	SWITCH ARM		1				
078	256176-3	PIN 2.5		1				
079	188467-3	HOUSING SET		1	*			
D10		INC. 3			*			
079-1	187887-8	HOUSING SET	X	1				
D10		INC. 3						
080	864861-0	BST110 NAME PLATE		1				
081	911163-6	PAN HEAD SCREW M4X35		1				
082	266130-9	TAPPING SCREW BIND PT 3X16		8				
083	911113-1	PAN HEAD SCREW M4X10 WITH WR		2				
A01A	192517-8	SAFETY GOGGLE		1	*			
A01B	192517-8	SAFETY GOGGLE		1	*			
A01-1A	195246-2	SAFETY GOGGLE	<	1	*			
A01-1B	195246-2	SAFETY GOGGLE	<	1	*			
A01-1C	195246-2	SAFETY GOGGLE		1	*			
A01-1D	195246-2	SAFETY GOGGLE		1	*			
A02B	824815-9	PLASTIC CARRYING CASE		1	*			
C10	324667-3	SHAFT		1	*			
C20	413098-2	PLATE		4	*			
C30	417724-5	LATCH		2	*			
C40	419215-2	PLASTIC CASE LID		1	*			
C50	419216-0	HANDLE		1	*			
A02C	821550-0	CONNECTOR PLASTIC CASE (TYPE2)		1	*			
C10	453974-8	LATCH		4	*			
A02D	821550-0	CONNECTOR PLASTIC CASE (TYPE2)		1	*			

Please order the parts with part number.

Print Date 3/6/2019

Model No.BST110 14.4V CORDLESS STAPLER

Item	Parts No.	Description	I/C	Qty	New/Old	Opt. 1	Opt. 2	Note
C10	453974-8	LATCH		4	*			
A02-1B	824863-8	PLASTIC CARRYING CASE	<	1	*			
C10	324667-3	SHAFT		1	*			
C20	413098-2	PLATE		4	*			
C30	417724-5	LATCH		2	*			
C40	419215-2	PLASTIC CASE LID		1	*			
C50	419216-0	HANDLE		1	*			
A02-1C	821550-0	CONNECTOR PLASTIC CASE (TYPE2)	<	1				
C10	453974-8	LATCH		4				
A02-1D	821550-0	CONNECTOR PLASTIC CASE (TYPE2)	<	1				
C10	453974-8	LATCH		4				
A02-2B	141074-3	PLASTIC CARRYING CASE COMPLETE	<	1				
C10	324667-3	SHAFT		1				
C20	413098-2	PLATE		4				
C30	417724-5	LATCH		2				
C40	419215-2	PLASTIC CASE LID		1				
C50	419216-0	HANDLE		1				
A03B	806833-9	BST110RFE PLASTIC CASE LABEL		1				
A03C	837640-9	INNER TRAY		1				
A03D	837640-9	INNER TRAY		1				
A04B	194065-3	BATTERY BL1430 SET		2	*			
A04D	801A19-6	BST110ZJ INDICATION LABEL		1				
A04-1B	194065-3	BATTERY BL1430 SET	O	2	*			
A04-2B	194065-3	BATTERY BL1430 SET	O	2	*			
A04-3B	194065-3	BATTERY BL1430 SET	O	2	*			
A04-3C	194065-3	BATTERY BL1430 SET		2	*			
A04-4B	194065-3	BATTERY BL1430 SET	O	2	*			
A04-4C	194065-3	BATTERY BL1430 SET	O	2	*			
A04-5B	197616-1	BATTERY BL1430B SET	<	2	*			
A04-5C	197616-1	BATTERY BL1430B SET	<	2	*			
A04-6B	197616-1	BATTERY BL1430B SET	O	2				
A04-6C	197616-1	BATTERY BL1430B SET	O	2				
A05B	***DC18RA	DC18RA FAST CHARGER		1	*			
A05D	801A20-1	BST110ZJ PLASTIC CASE LABEL		2				
A05-1B	***DC18RC	DC18RC FAST CHARGER	<	1				
A05-1C	***DC18RC	DC18RC FAST CHARGER		1				
A06B	450128-8	BATTERY COVER		1				
A06C	450128-8	BATTERY COVER		1				
A07C	801A17-0	BST110RFJ INDICATION LABEL		1				

Please order the parts with part number.

Print Date 3/6/2019

Model No.BST110 14.4V CORDLESS STAPLER

Item	Parts No.	Description	I/C	Qty	New/Old	Opt. 1	Opt. 2	Note
A08C	801A18-8	BST110RFJ PLASTIC CASE LABEL		2				

Please order the parts with part number.

Print Date 3/6/2019