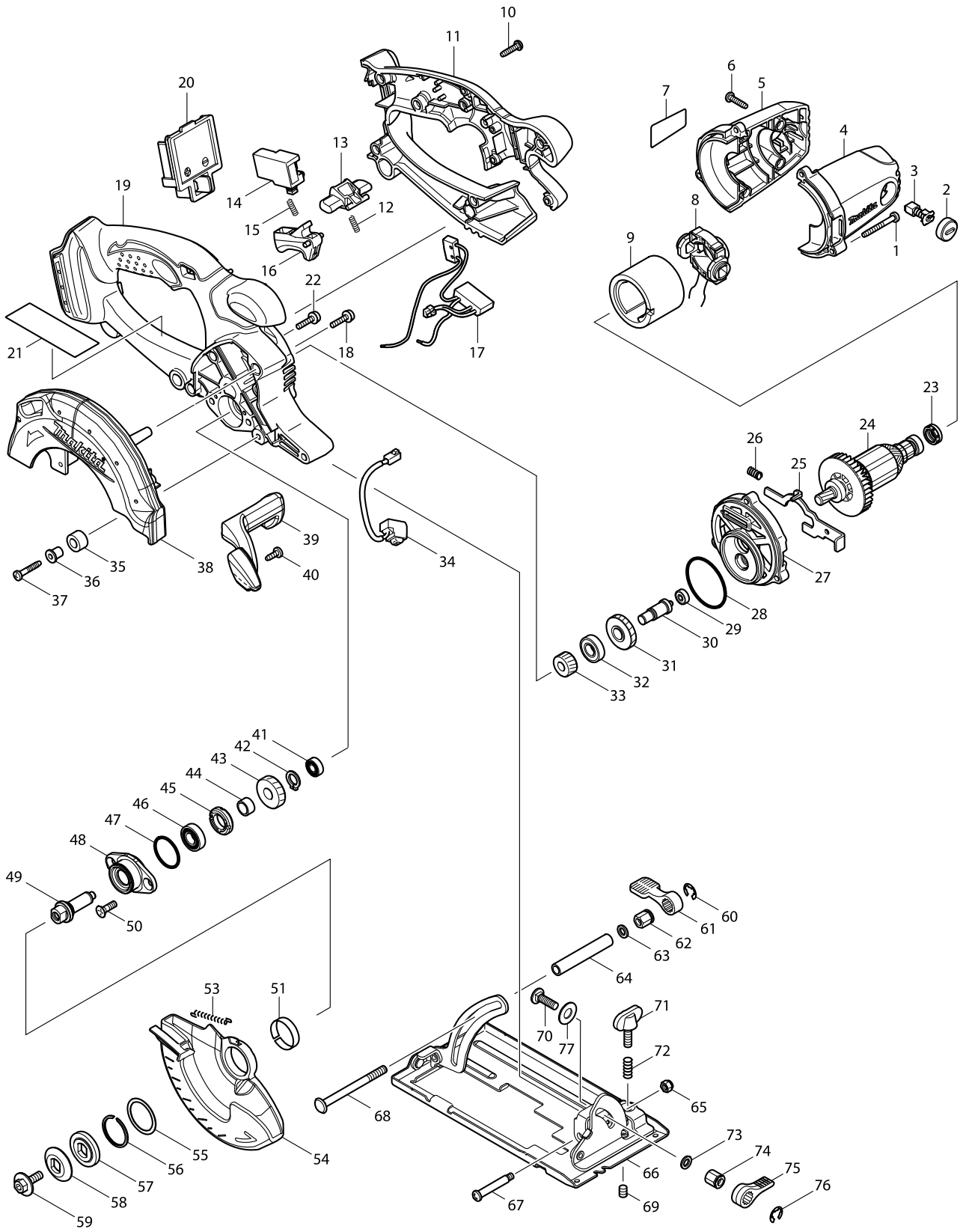


Model No. BSS501 CORDLESS CIRCULAR SAW 136MM



Model No. BSS501 CORDLESS CIRCULAR SAW 136MM

Item	Parts No.	Description	I/C	Qty	N/O	Opt. 1	Opt. 2	Note
001	266053-1	TAPPING SCREW 4X35		3				
002	643807-7	BRUSH HOLDER CAP		2				
003	191971-3	CARBON BRUSH CB-430		1				
004	188209-5	HOUSING SET		1				
D10		INC. 5						
005	188209-5	HOUSING SET		1				
D10		INC. 4						
006	265995-6	TAPPING SCREW 4X18		4				
007	863423-1	BSS501 NAME PLATE		1				
008A	638502-2	ENDBELL COMPLETE		1	*			
008B	638502-2	ENDBELL COMPLETE		1	*			
008-1A	638925-4	ENDBELL COMPLETE	S	1				
008-1B	638925-4	ENDBELL COMPLETE	S	1				
008-1C	638925-4	ENDBELL COMPLETE		1				
008-1D	638925-4	ENDBELL COMPLETE		1				
009	638420-4	YOKE UNIT		1	*			
009-1	638420-4	YOKE UNIT	O	1				
010	265995-6	TAPPING SCREW 4X18		7				
011	419661-9	HANDLE L		1	*			
011-1	453426-9	HANDLE L	S	1				
012	231469-9	COMPRESSION SPRING 4		1				
013	419664-3	LOCK OFF LEVER		1				
014	651956-6	SWITCH TG72BD		1				
015	231469-9	COMPRESSION SPRING 4		1				
016	419665-1	SWITCH LEVER		1				
017A	631743-9	POWER SUPPLY CIRCUIT		1	*			
017B	631743-9	POWER SUPPLY CIRCUIT		1	*			
017-1A	620125-0	POWER SUPPLY CIRCUIT	S	1	*			
017-1B	620125-0	POWER SUPPLY CIRCUIT	S	1	*			
017-1C	620125-0	POWER SUPPLY CIRCUIT		1	*			
017-1D	620125-0	POWER SUPPLY CIRCUIT		1	*			
018	911133-5	PAN HEAD SCREW M4X18		1				
019	450065-6	HANDLE R		1	*			
019-1	453427-7	HANDLE R	S	1	*			
019-2	453154-6	HANDLE R	X	1				
020A	643812-4	TERMINAL		1	*			
020B	643812-4	TERMINAL		1	*			
020-1A	643838-6	TERMINAL	O	1	*			
020-1B	643838-6	TERMINAL	O	1	*			
020-1C	643838-6	TERMINAL		1	*			
020-1D	643838-6	TERMINAL		1	*			
020-2	644808-8	TERMINAL	X	1				
022	911133-5	PAN HEAD SCREW M4X18		3				
023	421977-0	RUBBER RING 13		1				
024	619202-3	ARMATURE		1				
025	345643-4	SHAFT LOCK		1				
026	233117-6	COMPRESSION SPRING 6		1				
027	419656-2	GEAR HOUSING		1				

Model No. BSS501 CORDLESS CIRCULAR SAW 136MM

Item	Parts No.	Description	I/C	Qty	N/O	Opt. 1	Opt. 2	Note
028	213560-5	O RING 44		1				
029A	210048-6	BALL BEARING 604ZZ		1	*			
029B	210048-6	BALL BEARING 604ZZ		1	*			
029-1A	210036-3	BALL BEARING 604ZZ	O	1				
029-1B	210036-3	BALL BEARING 604ZZ	O	1				
029-1C	210036-3	BALL BEARING 604ZZ		1				
029-1D	210036-3	BALL BEARING 604ZZ		1				
030	324729-7	GEAR SHAFT		1				
031	226643-2	HELICAL GEAR 35		1				
032	210080-0	BALL BEARING 6900ZZ		1				
033	226635-1	HELICAL GEAR 15		1				
034	631550-0	LED CIRCUIT		1				
035	262566-0	RUBBER SLEEVE 6		1				
036	262563-6	SLEEVE 4		1				
037	265999-8	TAPPING SCREW 4X25		1				
038	318152-6	BLADE CASE		1				
039	419935-8	BLOWER NOZZLE		1				
040	266026-4	TAPPING SCREW BIND CT 4X12		1				
041	210006-2	BALL BEARING 696ZZ		1				
042	961006-2	RETAINING RING S-10		1				
043	226640-8	HELICAL GEAR 23		1				
044	257760-7	SLEEVE 10		1				
045	285847-5	BEARING RETAINER 14-23		1				
046	210069-8	BALL BEARING 6900DDW		1				
047	213435-8	O RING 26		1				
048	318087-1	BEARING BOX		1				
049	324730-2	SPINDLE		1				
050	265034-2	+ COUNTERSUNK HEAD SCREW M5X		2				
051	345470-9	THICKNESS RING		1				
053	231835-0	TENSION SPRING 4		1				
054	419933-2	SAFETY COVER		1				
055	267127-1	FLAT WASHER 26		1				
056	257938-2	RETAINING RING(EXT) WR-26		1				
057	224391-7	INNER FLANGE 30		1				
058	224404-4	OUTER FLANGE 30		1				
059A	266226-6	HEX. SOCKET HEAD BOLT M6X18		1	*			
059B	266226-6	HEX. SOCKET HEAD BOLT M6X18		1	*			
059-1A	266458-5	HEX.SOCKET HEX.BOLT M6X18	<	1				
059-1B	266458-5	HEX.SOCKET HEX.BOLT M6X18	<	1				
059-1C	266458-5	HEX.SOCKET HEX.BOLT M6X18		1				
059-1D	266458-5	HEX.SOCKET HEX.BOLT M6X18		1				
060	961014-3	STOP RING E-8		1				
061	272229-0	LEVER 40		1				
062	252159-1	HEX. NUT M6		1				
063	941151-9	FLAT WASHER 6		1				
064	331733-9	PIPE 6		1				
065	252103-8	HEX. LOCK NUT M5-8		1				
066	158252-8	BASE COMPLETE		1				

Item	Parts No.	Description	I/C	Qty	N/O	Opt. 1	Opt. 2	Note
067	265056-2	+ PAN HEAD SCREW M5		1				
068	266405-6	FLAT H.SQUARE NECK BOLT M6X75		1				
069	266225-8	H.S.SET SCREW(FLAT POINT)M6X8		1				
070	251919-8	CAP SQUARE NECK BOLT M6X20		1				
071	251896-4	SCREW M5X20		1				
072	231007-7	COMPRESSION SPRING 6		1				
073	941151-9	FLAT WASHER 6		1				
074	252133-9	HEX. NUT M6		1				
075	272251-7	LEVER 30		1				
076	961014-3	STOP RING E-8		1				
077	267231-6	FLAT WASHER 9		1				
078	620260-4	CONTROLLER		1				
A01	164095-8	GUIDE RULE		1				
A02	194415-2	DUST NOZZLE SET		1				
C10	911128-8	PAN HEAD SCREW M4X16		1				
A03A	***DC18RA	DC18RA FAST CHARGER		1	*			
A03-1A	***DC18RC	DC18RC FAST CHARGER	<	1				
A03-1C	***DC18RC	DC18RC FAST CHARGER		1				
A04A	194204-5	BATTERY BL1830 SET		2	*			
A04-1A	194204-5	BATTERY BL1830 SET	O	2	*			
A04-2A	194204-5	BATTERY BL1830 SET	O	2	*			
A04-3A	194204-5	BATTERY BL1830 SET	O	2	*			
A04-3C	194204-5	BATTERY BL1830 SET		2	*			
A04-4A	194204-5	BATTERY BL1830 SET	O	2				
A04-4C	194204-5	BATTERY BL1830 SET	O	2				
A05	783203-8	HEX. WRENCH 5		1				
A06A	824802-8	PLASTIC CARRYING CASE		1	*			
C10	163455-1	LATCH		2	*			
C20	419360-3	HANDLE		1	*			
A06C	821551-8	CONNECTOR PLASTIC CASE (TYPE3)		1	*			
C10	453974-8	LATCH		4	*			
A06D	821551-8	CONNECTOR PLASTIC CASE (TYPE3)		1	*			
C10	453974-8	LATCH		4	*			
A06-1A	141485-2	PLASTIC CASE COMPLETE	<	1				
C10	163455-1	LATCH		2				
C20	419360-3	HANDLE		1				
A06-1C	821551-8	CONNECTOR PLASTIC CASE (TYPE3)	<	1				
C10	453974-8	LATCH		4				
A06-1D	821551-8	CONNECTOR PLASTIC CASE (TYPE3)	<	1				
C10	453974-8	LATCH		4				
A07A	805446-3	BSS501RFE PLASTIC CASE LABEL		1				
A07C	837628-9	INNER TRAY		1				
A07D	837628-9	INNER TRAY		1				
A08	B-09949	T.C.T.SAW BLADE 136X16T		1				
A09A	450128-8	BATTERY COVER		1				
A09C	450128-8	BATTERY COVER		1				
A10C	800T05-8	BSS501RFJ INDICATION LABEL		1				
A10D	800T07-4	BSS501ZJ INDICATION LABEL		1				

