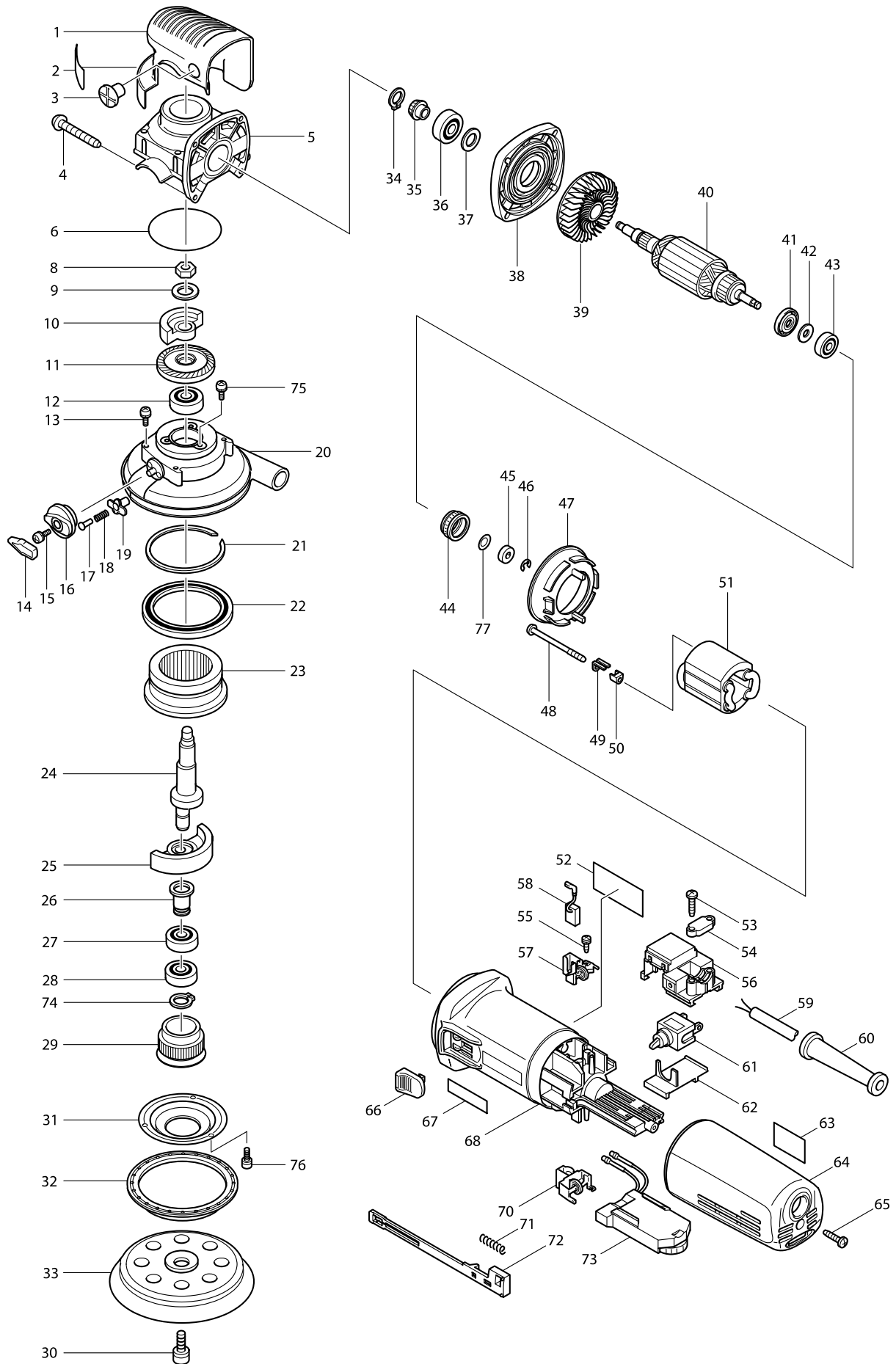


# Model No. BO6040 RANDOM ORBIT SANDER 150MM



# Model No. BO6040 RANDOM ORBIT SANDER 150MM

Item	Parts No.	Description	I/C	Qty	N/O	Opt. 1	Opt. 2	Note
001	417371-2	HEAD COVER		1				
002	816367-4	INDICATION LABEL		1				
003	265083-9	+ FLAT HEAD SCREW M8X11		2				
004	266050-7	TAPPING SCREW 4X30		4				
005A	152671-0	GEAR HOUSING COMPLETE		1	*			
005-1A	152671-0	GEAR HOUSING COMPLETE	<	1				
005-1B	152671-0	GEAR HOUSING COMPLETE		1				
006-1	213724-1	O RING 62		1				
008	931503-2	HEX. NUT M10		1				
009	253024-7	FLAT WASHER 10		1				
010	324071-6	UPPER BALANCE WEIGHT		1				
011	152674-4	SPIRAL BEVEL GEAR 42 COMPLETE		1				
012	211106-1	BALL BEARING 6201LLB		1				
013	911126-2	PAN HEAD SCREW M4X16		4				
014	417373-8	CAP		1				
015	911119-9	PAN HEAD SCREW M4X12		1				
016A	152672-8	KNOB COMPLETE		1	*			
C10	216011-7	STEEL BALL 5.6		1	*			
C20	231234-6	COMPRESSION SPRING 3.5		1	*			
016-1A	152987-3	KNOB COMPLETE	<	1	*			
C10	216011-7	STEEL BALL 5.6		1	*			
C20	231234-6	COMPRESSION SPRING 3.5		1	*			
016-2A	153428-2	KNOB COMPLETE	S	1				
C10	216011-7	STEEL BALL 5.6		1				
C20	231234-6	COMPRESSION SPRING 3.5		1				
016-2B	153428-2	KNOB COMPLETE		1				
C10	216011-7	STEEL BALL 5.6		1				
C20	231234-6	COMPRESSION SPRING 3.5		1				
017	417382-7	SPRING HOLDER		1				
018	231230-4	COMPRESSION SPRING 4		1				
019A	162219-0	HOLDER		1	*			
019-1A	345209-0	HOLDER	<	1				
019-1B	345209-0	HOLDER		1				
020A	152795-2	SKIRT COMPLETE		1	*			
020-1A	152948-3	SKIRT COMPLETE	<	1	*			
020-2A	152948-3	SKIRT COMPLETE	<	1				
020-2B	152948-3	SKIRT COMPLETE		1				
021	257933-2	STOP RING (EXT) WR-55		1				
022	211654-0	BALL BEARING 6811LLB		1				
023	227008-1	INTERNAL GEAR 29		1				
024	324069-3	SPINDLE		1				
025	324072-4	LOWER BALANCE WEIGHT		1				
026	324070-8	SLEEVE		1				
027	211131-2	BALL BEARING 6001DDW		1				
028	211131-2	BALL BEARING 6001DDW		1				
029	152760-1	SPUR GEAR 26 COMPLETE		1				
030	266270-3	HEX.SOCKET HEAD BOLT M8X14		1				
031	152761-9	BEARING RETAINER 80 COMPLETE		1				

# Model No. BO6040 RANDOM ORBIT SANDER 150MM

Item	Parts No.	Description	I/C	Qty	N/O	Opt. 1	Opt. 2	Note
032	421763-9	RUBBER GUARD		1				
033A	743063-0	PAD 150		1	*			
033-1A	193299-5	PAD 150 (SOFT)	X	1	*			
033-2A	A-87812	RUBBER PAD (SOFT)	<	1	*			
033-2B	A-87812	RUBBER PAD (SOFT)		1	*			
033-3	196684-1	PAD 150 SET (SOFT)	<	1				
034	961002-0	RETAINING RING S-6		1				
035	227402-7	SPIRAL BEVEL GEAR 9		1				
036	211142-7	BALL BEARING 6001LLB		1				
037	253084-9	FLAT WASHER 12		1				
038	317359-1	GEAR HOUSING COVER		1				
039	240033-5	FAN 57		1				
040A	515203-8	ARMATURE ASS'Y 220-240V		1	*			
D10		INC. 39,41-43			*			
040-1A	515223-2	ARMATURE ASS'Y 220-240V	S	1				
D10		INC. 39,41-43						
040-1B	515223-2	ARMATURE ASS'Y 220-240V		1				
D10		INC. 39,41-43						
041	681656-4	INSULATION WASHER		1				
042	253823-7	FLAT WASHER 7		1				
043	210027-4	BALL BEARING 627DDW		1				
044	421738-8	LABYRINTH RUBBER RING 22		1				
045	688117-5	MAGNET SLEEVE		1				
046A	961011-9	STOP RING E-4		1	*			
046-1A	259039-2	SELF LOCK 6	S	1				
046-1B	259039-2	SELF LOCK 6		1				
047	413076-2	BAFFLE PLATE		1				
048	266274-5	TAPPING SCREW 4X55		2				
049	344871-8	RETAINER		2				
050	417237-6	INSULATION COVER		2				
051	626533-3	FIELD 220-240V		1				
052	852515-1	NAME PLATE BO6040		1				
053	265995-6	TAPPING SCREW 4X18		2				
054	687052-4	STRAIN RELIEF		1				
055	266256-7	TAPPING SCREW PT3X10		4				
056	632945-0	SWITCH BLOCK		1				
057	643760-7	BRUSH HOLDER		1				
058	191978-9	A.C. CARBON BRUSH CB-318		1				
059	665890-4	POWER SUPPLY CORD 1.0-2-4.0		1				
060	682566-8	CORD GUARD 10		1				
061	651418-4	SWITCH ST115A-40		1				
062	687113-0	COVER		1				
063	816364-0	INDICATION LABEL		1				
064	417185-9	REAR COVER		1				
065	265995-6	TAPPING SCREW 4X18		1				
066A	417188-3	SWITCH KNOB		1	*			
066-1A	417813-6	SWITCH KNOB	<	1				
066-1B	417813-6	SWITCH KNOB		1				

