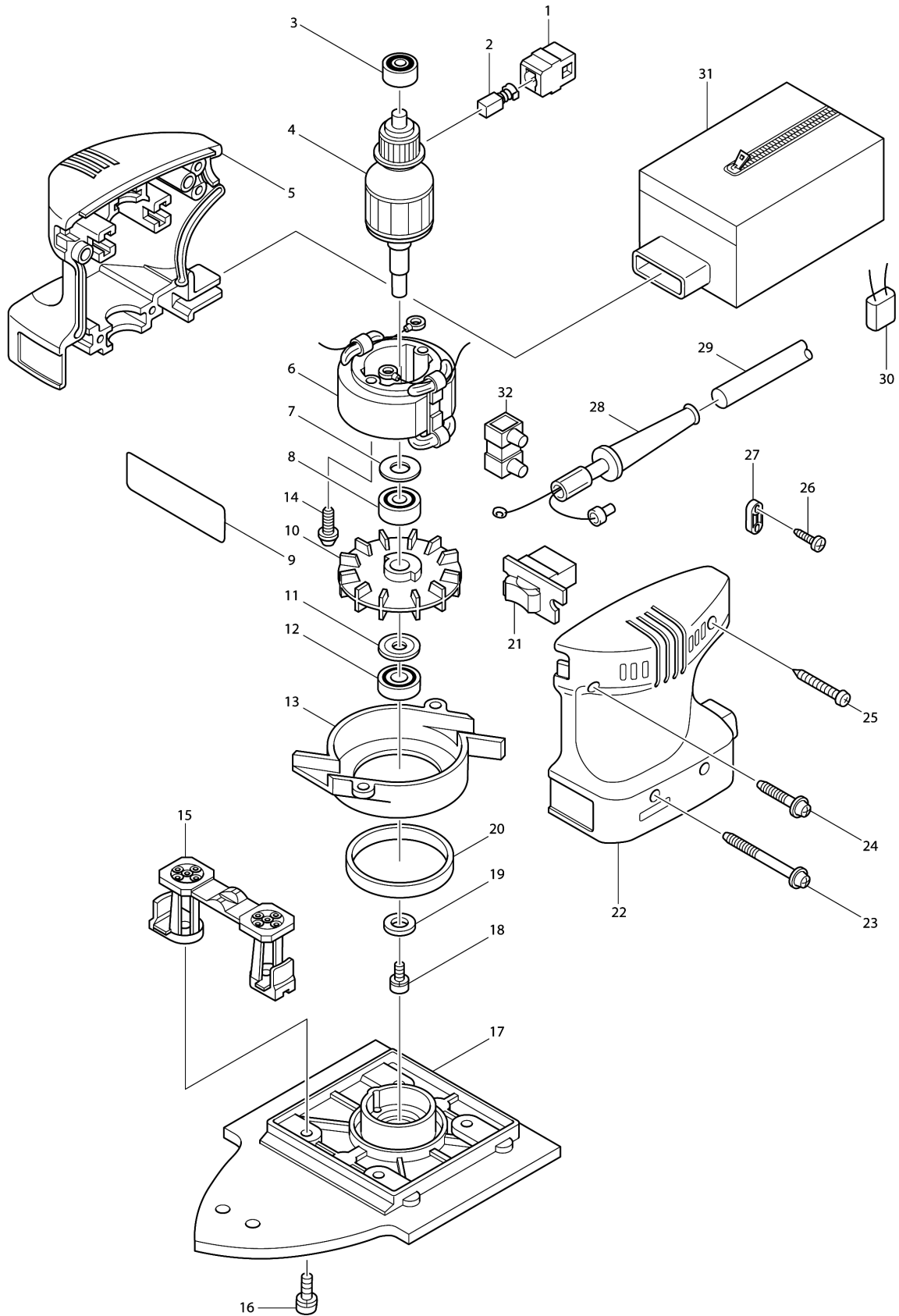


Model No.BO4561 FINISHING SANDER



Model No.BO4561 FINISHING SANDER

Item	Parts No.	Description	I/C	Qty	New/Old	Opt. 1	Opt. 2	Note
001	643552-4	BRUSH HOLDER 5-8		2				
002	191627-8	CARBON BRUSH CB-64		1				
003	211021-9	BALL BEARING 607LLB		1				
004A_	517083-8	ARMATURE ASS'Y 220V		1				
D10		INC. 3,7,8						
005	182777-0	HOUSING SET		1				
C10	263002-9	RUBBER PIN 4		2				
D10		INC. 22						
006A_	599319-7	FIELD ASS'Y 220V		1				
C10	654038-3	INSULATED TERMINAL FT1.25-M4		2	*			
C11	654038-3	INSULATED TERMINAL FT1.25-M4	O	2	*			
C12	654038-3	INSULATED TERMINAL FT1.25-M4	O	2	*			
C13	654038-3	INSULATED TERMINAL FT1.25-M4	O	2				
007	253214-2	FLAT WASHER 9		1				
008	211092-6	BALL BEARING 629DDW		1				
009	858238-9	NAME PLATE BO4561		1				
010	241658-8	FAN 63		1				
011	213051-6	DUST SEAL 10		1				
012	211066-7	BALL BEARING 6200LLB		1				
013	410752-9	BAFFLE PLATE		1				
014	265871-4	TAPPING SCREW BT 4X16		2				
015	414312-9	FOOT		2	*			
015-1	410918-1	FOOT	O	2				
016	911118-1	PAN HEAD SCREW M4X12		4				
017	152478-4	BASE COMPLETE		1				
C10	263002-9	RUBBER PIN 4		1				
D10		INC. 20						
018	912117-6	COUNTERSUNK HEAD SCREW M4X12		1				
019	253825-3	FLAT WASHER 6		1				
020	262512-3	RUBBER SLEEVE 48		1				
021	651606-3	SWITCH SS106A-7		1	*			
021-1	651518-0	SWITCH 8401K2	O	1	*			
021-2	651523-7	SWITCH WS107ADT-1	O	1	*			
021-3	651527-9	SWITCH	O	1				
022	182777-0	HOUSING SET		1				
C10	263002-9	RUBBER PIN 4		2				
D10		INC. 5						
023	265872-2	TAPPING SCREW BT 4X50		2				
024	265875-6	TAPPING SCREW BT 4X25		1				
025	265876-4	TAPPING SCREW BT 4X40		1				

Please order the parts with part number.

Print Date 25/6/2019

Model No.BO4561 FINISHING SANDER

Item	Parts No.	Description	I/C	Qty	New/Old	Opt. 1	Opt. 2	Note
026	266121-0	TAPPING SCREW FLANGE PF 4X18		2	*			
026-1	265995-6	TAPPING SCREW 4X18	O	2				
027A_	687063-9	CORD CLAMP		1				
028	682502-4	CORD GUARD 8-85		1				
029B1	666053-5	POWER SUPPLY CORD 1.0-2-2.0		1				
030	645118-6	NOISE SUPPRESSOR		1	*			
030-1	645142-9	NOISE SUPPRESSOR	O	1				
031	166027-1	DUST BAG		1	*			
032	654532-5	TERMINAL BLOCK 1P		1				
A01	192352-4	ABRASIVE PAPER SET		1				
A02	192655-6	ABRASIVE PAPER SET		1				
A03	193712-3	PAPER DUST BAG SET		1				
A04	193713-1	PAPER DUST BAG HOLDER SET		1	*			
A04-1	193932-9	PAPER DUST BAG HOLDER SET	<	1				
A05	193745-8	ADAPTER SET		1				

Please order the parts with part number.

Print Date 25/6/2019