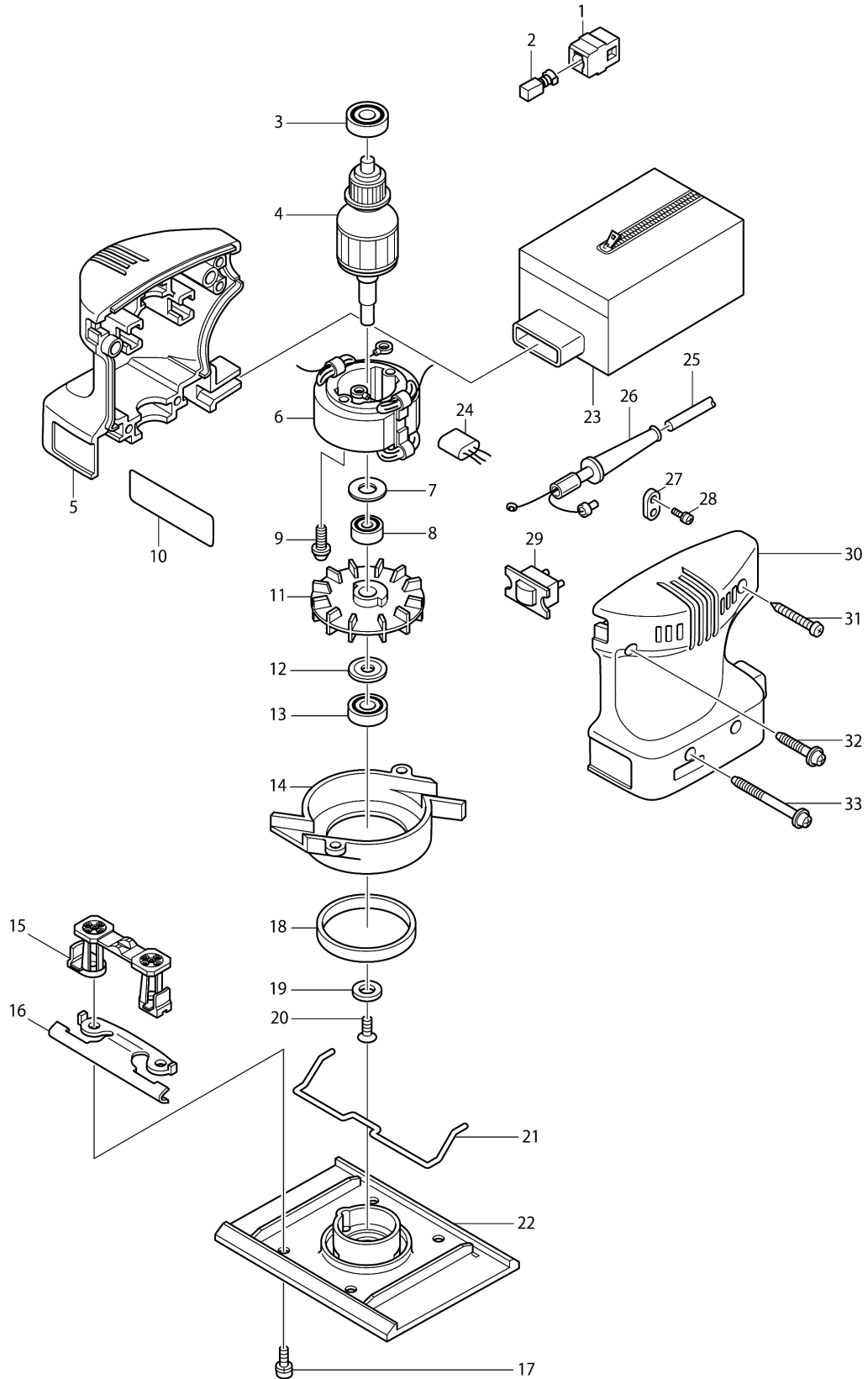


# Model No.BO4550 FINISHING SANDER





## Model No.BO4550 FINISHING SANDER

Item	Parts No.	Description	I/C	Qty	New/Old	Opt. 1	Opt. 2	Note
001	643552-4	BRUSH HOLDER 5-8		2				
002C_	191627-8	CARBON BRUSH CB-64		1				
003	211016-2	BALL BEARING 626LLB		1				
004C_	511568-6	ARMATURE ASS'Y 220V		1				
D11		INC. 3,7,8						
005-1	182329-7	HOUSING SET		1				
D10		INC. 30						
006F1	599300-8	FIELD ASS'Y 220V		1				
007	253214-2	FLAT WASHER 9		1				
008-1	211092-6	BALL BEARING 629DDW		1				
009	265871-4	TAPPING SCREW BT 4X16		2				
010B_	855618-0	NAME PLATE BO4550		1				
011-1	241658-8	FAN 63		1				
012	213051-6	DUST SEAL 10		1				
013-1	211066-7	BALL BEARING 6200LLB		1				
014	410752-9	BAFFLE PLATE		1				
015-1	410918-1	FOOT		2				
016	342986-5	CLAMPER		2				
017	911118-1	PAN HEAD SCREW M4X12		4				
018	262512-3	RUBBER SLEEVE 48		1	*			
019	253825-3	FLAT WASHER 6		1				
020	912112-6	COUNTERSUNK HEAD SCREW M4X10		1				
021	321869-2	LEVER		2				
022	151236-5	BASE COMPLETE		1	*			
C10	263002-9	RUBBER PIN 4		1	*			
C20	423142-7	SPONGE RUBBER		1	*			
022-1	154657-0	BASE COMPLETE	X	1				
C10	263002-9	RUBBER PIN 4		1				
C20	423142-7	SPONGE RUBBER		1				
D10		INC.18						
023	166027-1	DUST BAG		1				
024B_	645105-5	NOISE SUPPRESSOR		1				
025J1	666053-5	POWER SUPPLY CORD 1.0-2-2.0		1				
026A_	682502-4	CORD GUARD 8-85		1				
027	687001-1	STRAIN RELIEF		1				
028-1	911133-5	PAN HEAD SCREW M4X18		2				
029A_	651600-5	SWITCH SS106A		1				
030-1	182329-7	HOUSING SET		1				
D10		INC. 5						
031	265876-4	TAPPING SCREW BT 4X40		1				
032	265875-6	TAPPING SCREW BT 4X25		1				

Please order the parts with part number.

Print Date 25/6/2019

**Model No.BO4550 FINISHING SANDER**

Item	Parts No.	Description	I/C	Qty	New/Old	Opt. 1	Opt. 2	Note
033	265872-2	TAPPING SCREW BT 4X50		2				
400	163247-8	PUNCH PLATE		1				
401	794296-0	ABRASIVE PAPER SET 114X100		1				

Please order the parts with part number.

Print Date 25/6/2019