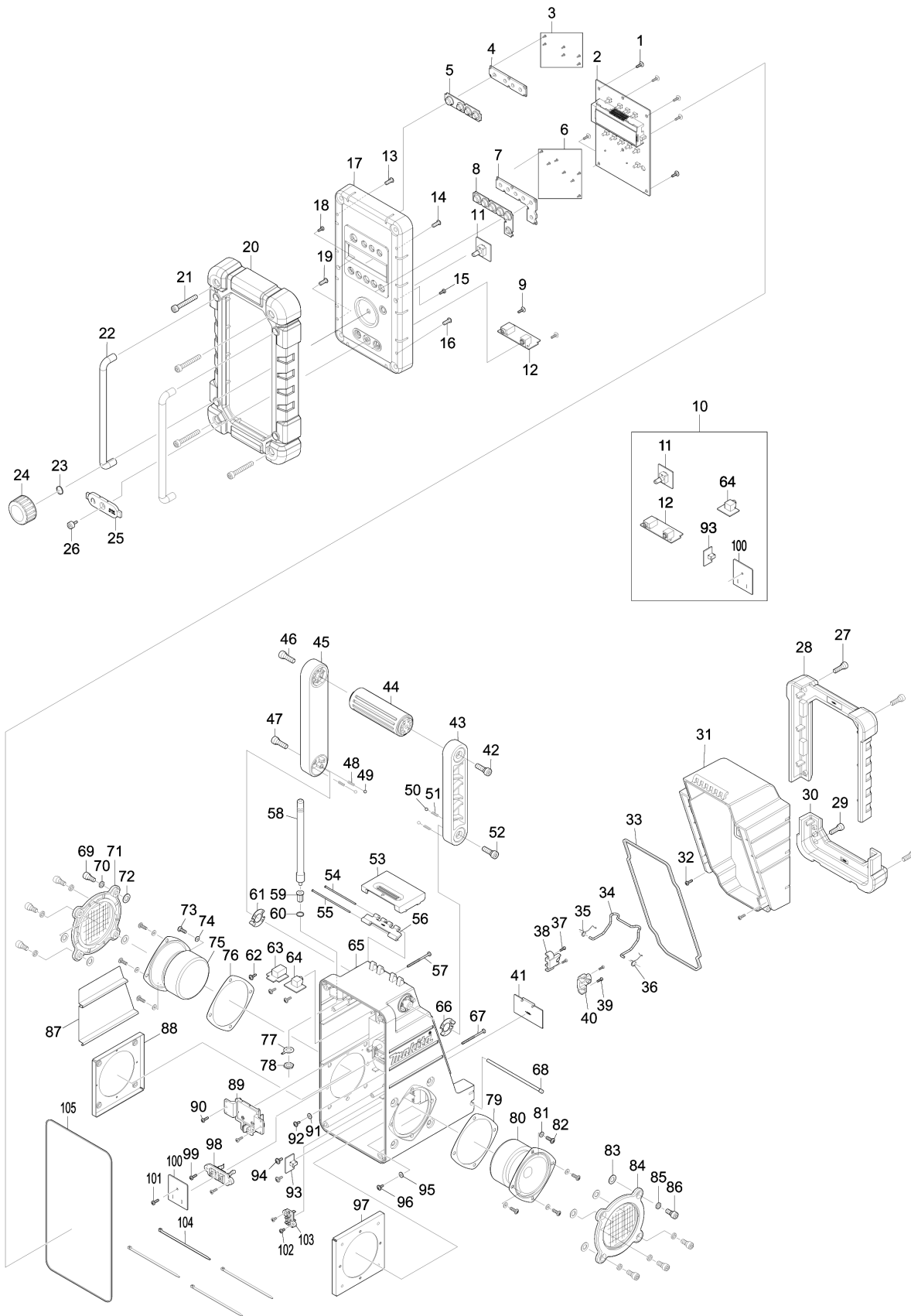


Model No.BMR105 JOB SITE DAB/DAB+RADIO



Model No.BMR105 JOB SITE DAB/DAB+RADIO

Item	Parts No.	Description	I/C	Qty	New/Old	Opt. 1	Opt. 2	Note
001	SE09163102	SCREW M3X10		6				
002	SE00000272	CIRCUIT BOARD A ASS'Y		1	*			
002-1	SE00000323	CIRCUIT BOARD A ASS'Y	<	1	*			
002-2	SE00000513	CIRCUIT BOARD A ASS'Y	<	1				
003	SE09090011	SCREW 1.7		6				
004	SE020PC020	POWER BUTTON HOLDER		1				
005	SE00000274	POWER BUTTON		1				
006	SE09090011	SCREW 1.7		7				
007	SE020PC030	PRESET BUTTON HOLDER		1				
008	SE00000275	PRESET BUTTON		1				
009	SE00000193	SCREW 3X10		2				
010	SE00000276	PCB-P ALL ASS'Y		1				
D10		INC.11,12,64,93,100						
011	SE00000277	PCB-P ENCODER ASS'Y		1				
012	SE00000278	PCB-P DC JACK ASS'Y		1				
013	SE09064161	SCREW M4X16		1				
014	SE09064161	SCREW M4X16		1				
015	SE09163102	SCREW M3X10		1				
016	SE09064161	SCREW M4X16		1				
017	SE00000279	FRONT CABINET ASS'Y		1	*			
017-1	SE00000308	FRONT CABINET ASS'Y	X	1				
018	SE09163102	SCREW M3X10		1				
019	SE09064161	SCREW M4X16		1				
020	SE00000159	FRONT BUMPER		1				
021	SE00000160	SCREW PTHE6X47(CR)		4				
022	SE0338PC5Z	FRONT BAR		2				
023	SE21B1110A	ROTARY KNOB RING		1				
024	SE00000161	ROTARY KNOB		1				
025	SE0335PC5Z	JACK COVER		1				
026	SE09173106	HEX SCREW M3X10		1				
027	SE09176166	HEX SCREW M6X16		2				
028	SE00000162	BATTERY COVER BUMPER		1				
029	SE09176166	HEX SCREW M6X16		2				
030	SE00000165	REAR BUMPER		1				
031	SE00000166	BATTERY COVER		1				
032	SE09163102	SCREW M3X10		2				
033	SE00000168	PACKING		1				
034	SE00000169	SUPPORT BAR		1				
035	SE00000170	SPRING-L		1				
036	SE00000171	SPRING-R		1				
037	SE09163102	SCREW M3X10		2				
038	SE00000175	SPRING HOLDER-L		1				

Please order the parts with part number.

Print Date 19/6/2019

Model No.BMR105 JOB SITE DAB/DAB+RADIO

Item	Parts No.	Description	I/C	Qty	New/Old	Opt. 1	Opt. 2	Note
039	SE09163102	SCREW M3X10		2				
040	SE00000173	SPRING HOLDER-R		1				
041	SE00000282	BACK UP BATTERY COVER(BLUE)		1				
042	SE00000176	SCREW PTHE6X20(CR)		1				
043	SE00000177	HANDLE HOLDER(R)		1				
044	SE00000179	HANDLE		1				
045	SE00000180	HANDLE HOLDER (L)		1				
046	SE00000176	SCREW PTHE6X20(CR)		1				
047	SE09176166	HEX SCREW M6X16		1				
048	SE00000184	SPRING		2				
049	SE09994007	STEEL BALL		2				
050	SE09994007	STEEL BALL		2				
051	SE00000184	SPRING		2				
052	SE09176166	HEX SCREW M6X16		1				
053	SE00000190	BATTERY COVER LOCKER		1				
054	SE021PC050	LOCKER FIXER PIN 62.8		1				
055	SE021PC040	LOCKER FIXER PIN 79.5		1				
056	SE00000067	LOCKER HINGER		1				
057	SE09163452	SCREW M3X45		1				
058	SE00000284	RUBBER ANT 174-240(BLACK)		1				
059	SE021J9032	ROD ANT HOLDER		1				
060	SE024J9050	PACKING		1				
061	SE00000192	HANDLE SUS-PLATE(L)		1				
062	SE00000193	SCREW 3X10		3				
063	SE00000285	PCB-G USB ASS'Y		1				
064	SE00000286	PCB-P AUX ASS'Y		1				
065	SE00000289	REAR CABINET (BLUE/105)		1				
066	SE00000187	HANDLE SUS-PLATE (R)		1				
067	SE09163452	SCREW M3X45		1				
068	SE021PC030	BATTERY COVER LOCKER		1				
069	SE9076146A	HEX SCREW M6X14		4				
070	SE024J9040	PACKING		4				
071	SE00000205	SPEAKER NET ASSY		1				
072	SE024J9090	PACKING		4				
073	SE09090023	SCREW M4X12		4				
074	SE024J9070	PACKING		4				
075	SE01620771	SPEAKER		1				
076	SE024J9030	PACKING		1				
077	SE021PC100	ROD ANT TERMINAL		1				
078	SE021P0020	NUT		1				
079	SE024J9030	PACKING		1				
080	SE01620771	SPEAKER		1				

Please order the parts with part number.

Print Date 19/6/2019

Model No.BMR105 JOB SITE DAB/DAB+RADIO

Item	Parts No.	Description	I/C	Qty	New/Old	Opt. 1	Opt. 2	Note
081	SE024J9070	PACKING		4				
082	SE09090023	SCREW M4X12		4				
083	SE024J9090	PACKING		4				
084	SE00000205	SPEAKER NET ASSY		1				
085	SE024J9040	PACKING		4				
086	SE9076146A	HEX SCREW M6X14		4				
087	SE00000291	GROUND PLATE		1				
088	SE021J9010	SPEAKER HOLDER		1				
089	SE00000197	TERMINAL D		1				
090	SE09163102	SCREW M3X10		2				
091	SE00000199	SILICON RUBBER WASHER		1				
092	SE00000193	SCREW 3X10		1				
093	SE00000292	PCB-P SW ASS'Y		1				
094	SE00000193	SCREW 3X10		2				
095	SE00000199	SILICON RUBBER WASHER		1				
096	SE00000193	SCREW 3X10		1				
097	SE021J9010	SPEAKER HOLDER		1				
098	SE00000098	CLUSTER BATTERY HOLDER		1				
099	SE09163102	SCREW M3X10		2				
100	SE00000293	PCB-P BATTERY ASS'Y		1				
101	SE09163102	SCREW M3X10		1				
102	SE09163062	SCREW M3X6		2				
103	SE00000200	TERMINAL C		1				
104	SE00000195	W/TIES 100MM		4				
105	SE024PC040	PACKING		1				
A01	SE00000265	AC ADAPTER		1				

Please order the parts with part number.

Print Date 19/6/2019