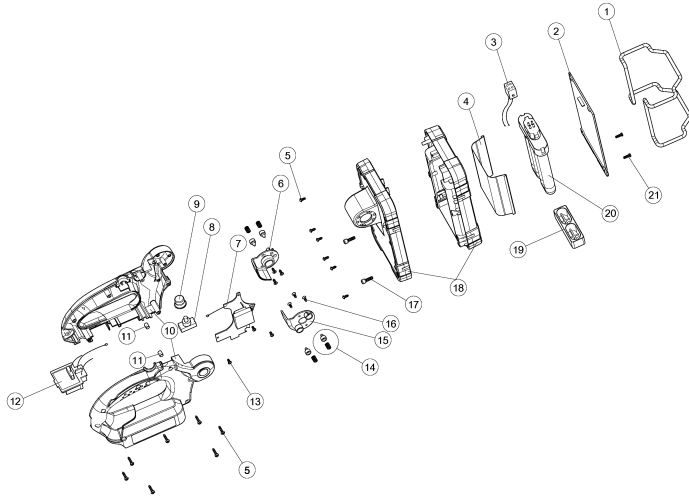


Model No.BML360 RECHARGEABLE FLUORESCENT LIGHT



Model No.BML360 RECHARGEABLE FLUORESCENT LIGHT

Item	Parts No.	Description	I/C	Qty	New/Old	Sales	Purch.	Note
001	GM00001163	WIRE GUARD B2703360001		1				
002	GM00001164	LIGHT LENS COVER C1702360008		1				
003	GM00001165	TUBE HOLDER SET G0623600100		1				
004	GM00001166	REFLECTOR B1404360901		1				
005	GM00001167	SCREW 3X15 PA B0130150201		13				
006	GM00001168	LEFT LID C1752360005		1				
007	GM00001169	CIRCUIT SET G0323600100		1				
008	GM00001170	SWITCH A1401002500		1				
009	GM00001171	SWITCH COVER C9010901009		1				
010	GM00001172	HOUSING RIGHT & LEFT SET		1				
D10		INC. 011						
011	GM00001173	RUBBER PIN 6 C9092360016		2				
012	GM00001174	BATTERY TERMINAL SET		1				
013	GM00001175	SCREW 3X8 PA B0130080001		3				
014	GM00001176	SPRING/LID SET G0623600600		4				
015	GM00001177	RIGHT LID C1752360006		1				
016	GM00001178	SCREW 3X8 KA B0130080021		6				
017	GM00001179	SCREW M4X13 PM B4003041301		2				
018	GM00001180	FRONT & BACK BODY SET		1				
019	GM00001181	SILICON STOPPER C9002360015		1				
020	B-14093	FLUORESCENT TUBE (EUROPE SPEC)		1				
021	GM00001182	SCREW 3X8 PM B0130080004		2				

Please order the parts with part number.

Print Date 16/9/2020