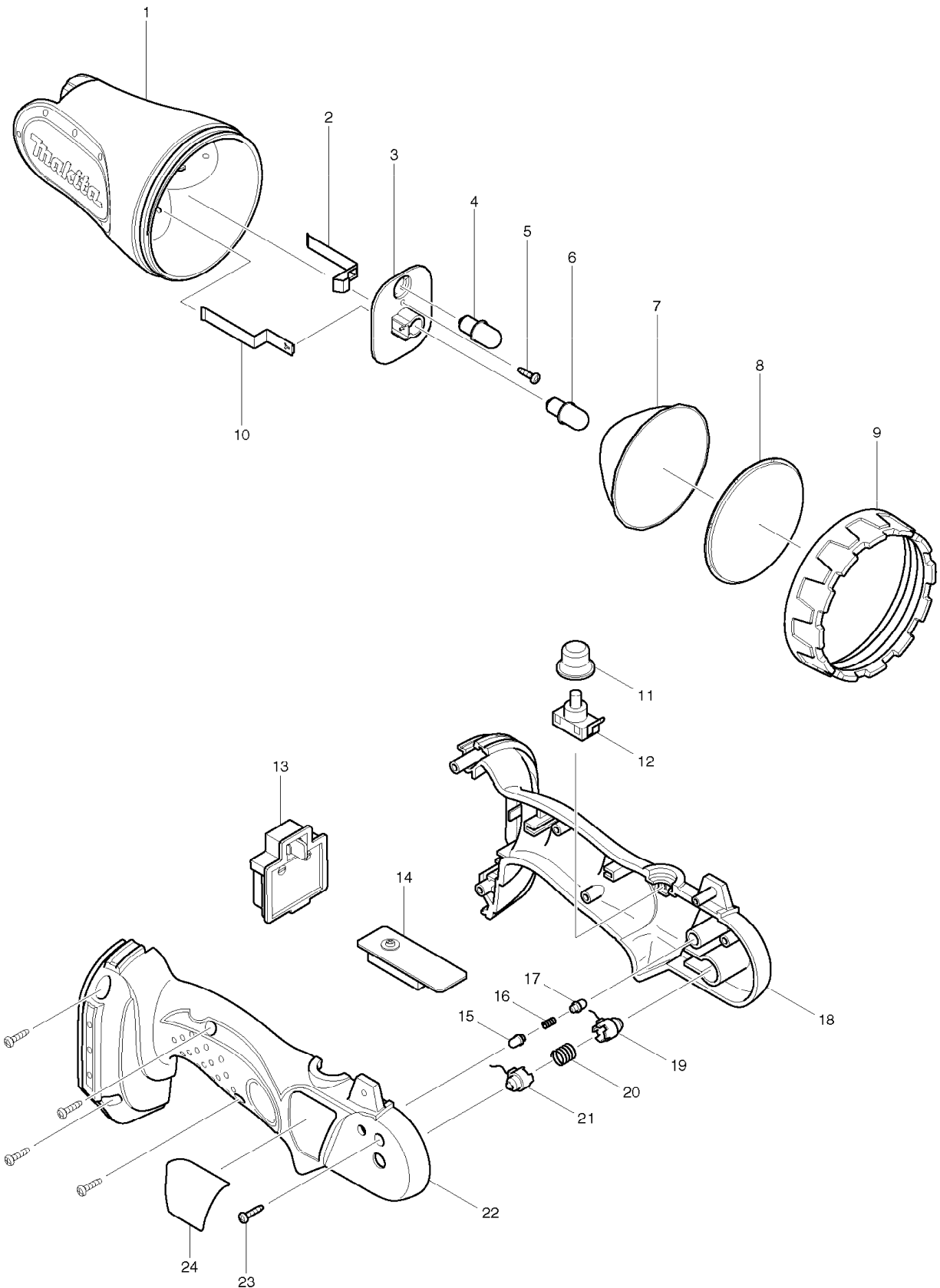


SERVICE DRAWING

MODEL NO. BML185



SPARE PARTS LIST

MODEL NO. BML185

ITEM	PART NO.	DESCRIPTION	QTY	NOTE
001	GM00001003	CASE HEAD 30105185104	1	
002	GM00001010	BULB CONTACT PLATE (-)	1	
003	GM00001002	PROTECTOR FOR CONTACT	1	
004	*****	*****	***	*****
005	GM00001012	SCREW 3X12 PB BLACK ZN	1	
006	*****	*****	***	*****
007	GM00000130	REFLECTOR	1	
008	GM00000070	LENS	1	
009	GM00001001	REFLECTOR RETAINER 30110185003	1	
010	GM00001009	BULB CONTACT PLATE (+)	1	
011	GM00001006	RUBBER COVER	1	
012	GM00000200	SWITCH	1	
013	*****	*****	***	*****
014	*****	*****	***	*****
015	GM00001005	KNOCK SHAFT	1	
016	GM00000090	COMPRESSION SPRING 4	1	
017	GM00001005	KNOCK SHAFT	1	
018	GM00001000	HOUSING SET	1	
019	*****	*****	***	*****
020	233144-3	COMPRESSION SPRING 7	1	
021	*****	*****	***	*****
022	GM00001000	HOUSING SET	1	
023	GM00001013	SCREW 3X14 PB BLACK ZN	5	
024	GM00001008	NAME PLATE	1	