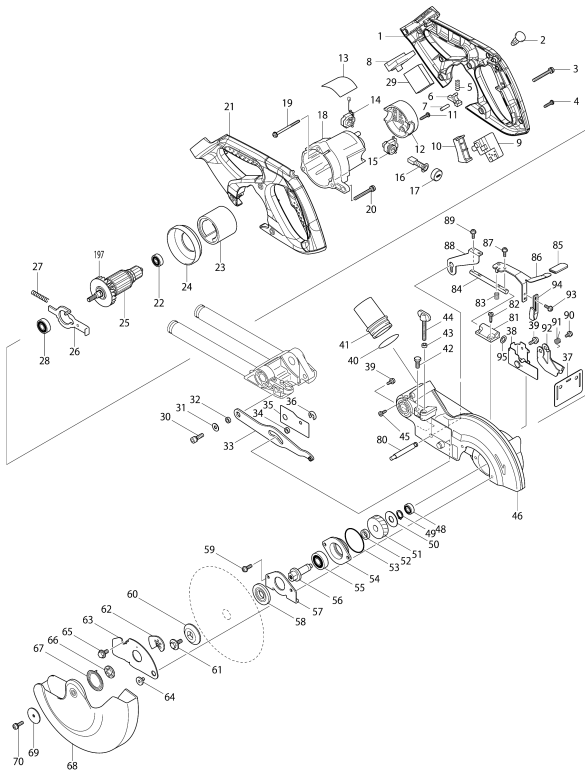
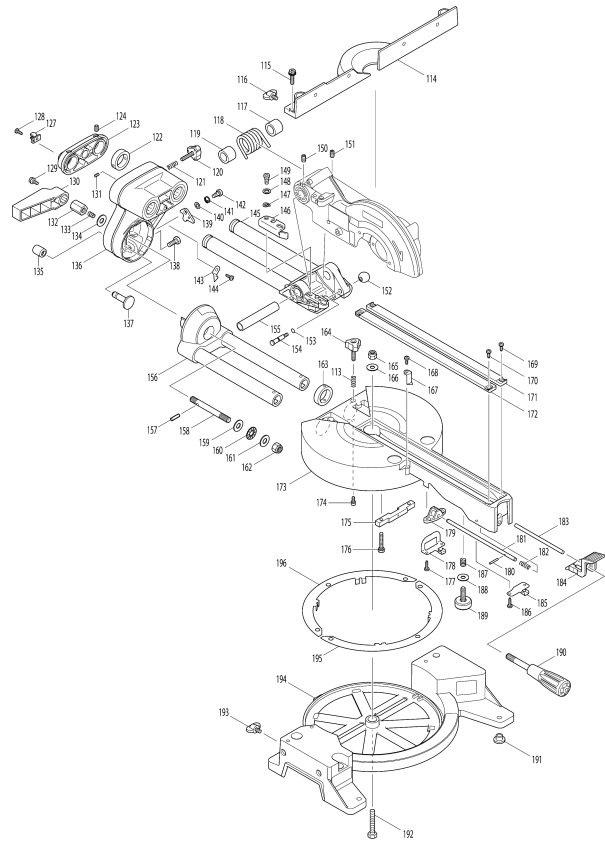


Model No.BLS713 190MM SLIDE COMPOUND SAW



Model No.BLS713 190MM SLIDE COMPOUND SAW



Model No.BLS713 190MM SLIDE COMPOUND SAW

| Item | Parts No. | Description | I/C | Qty | New/Old | Opt. 1 | Opt. 2 | Note |
|-------|-----------|-----------------------------|-----|-----|---------|--------|--------|------|
| 001 | 188961-5 | HANDLE SET | | 1 | | | | |
| | D10 | INC. 21 | | | | | | |
| 002 | 417113-4 | SWITCH BUTTON | | 1 | | | | |
| 003 | 911268-2 | PAN HEAD SCREW M5X45 | | 3 | | | | |
| 004 | 265995-6 | TAPPING SCREW 4X18 | | 5 | * | | | |
| 004-1 | 265A48-7 | TAPPING SCREW 4X18 | O | 5 | | | | |
| 005 | 231026-3 | COMPRESSION SPRING 4 | | 1 | | | | |
| 006 | 416533-9 | LOCK OFF LEVER | | 1 | | | | |
| 007 | 256123-4 | PIN 5 | | 1 | | | | |
| 008 | 643859-8 | TERMINAL | | 1 | * | | | |
| 008-1 | 644808-8 | TERMINAL | O | 1 | | | | |
| 009 | 651956-6 | SWITCH TG72BD | | 1 | | | | |
| 010 | 452130-7 | SWITCH LEVER | | 1 | | | | |
| 011 | 265995-6 | TAPPING SCREW 4X18 | | 2 | * | | | |
| 011-1 | 265A48-7 | TAPPING SCREW 4X18 | O | 2 | | | | |
| 012 | 416639-3 | REAR COVER | | 1 | | | | |
| 013 | 868774-7 | BLS713 NAME PLATE | | 1 | | | | |
| 014 | 643864-5 | BRUSH HOLDER | | 1 | | | | |
| 015 | 643863-7 | BRUSH HOLDER | | 1 | | | | |
| 016 | 194435-6 | CARBON BRUSH CB-441 | | 1 | | | | |
| 017 | 643941-3 | BRUSH HOLDER CAP | | 2 | | | | |
| 018 | 416909-0 | MOTOR HOUSING | | 1 | | | | |
| 019 | 266209-6 | TAPPING SCREW 4X60 | | 2 | | | | |
| 020 | 911268-2 | PAN HEAD SCREW M5X45 | | 3 | | | | |
| 021 | 188961-5 | HANDLE SET | | 1 | | | | |
| | D10 | INC. 1 | | | | | | |
| 022 | 210023-2 | BALL BEARING 627DDW | | 1 | * | | | |
| 022-1 | 210045-2 | BALL BEARING 627DDW | O | 1 | | | | |
| 023 | 632828-4 | YOKE UNIT | | 1 | | | | |
| 024 | 416907-4 | BAFFLE PLATE | | 1 | | | | |
| 025 | 519269-0 | ARMATURE ASS'Y 18V | | 1 | | | | |
| | D10 | INC. 22,28,197 | | | | | | |
| 026 | 344681-3 | SHAFT LOCK | | 1 | | | | |
| 027 | 233092-6 | COMPRESSION SPRING 5 | | 1 | | | | |
| 028 | 211088-7 | BALL BEARING 6000DDW | | 1 | | | | |
| 029 | 631999-4 | CONTROLLER | | 1 | * | | | |
| 029-1 | 620263-8 | CONTROLLER | < | 1 | | | | |
| 030 | 922331-6 | HEX. SOCKET HEAD BOLT M6X20 | | 1 | | | | |
| 031 | 253804-1 | FLAT WASHER 6 | | 1 | | | | |
| 032 | 257163-5 | RING 6 | | 1 | | | | |
| 033 | 154643-1 | LINK PLATE COMPLETE | | 1 | | | | |
| 034 | 257163-5 | RING 6 | | 1 | | | | |

Model No.BLS713 190MM SLIDE COMPOUND SAW

| Item | Parts No. | Description | I/C | Qty | New/Old | Opt. 1 | Opt. 2 | Note |
|-------|-----------|------------------------------|---------------|-----|---------|--------|--------|------|
| 035 | 346330-8 | LINK COVER | | 1 | | | | |
| 036 | 961018-5 | STOP RING E-5 | | 1 | | | | |
| 037 | 421626-9 | GUARD | | 1 | | | | |
| 038 | 165414-1 | GUARD PLATE COMPLETE | | 1 | | | | |
| 039 | 911113-1 | PAN HEAD SCREW M4X10 WITH WR | | 1 | | | | |
| 040 | 213460-9 | O RING 35 | | 1 | | | | |
| 041 | 419277-0 | DUST NOZZLE | | 1 | | | | |
| 042 | 265381-1 | HEX. BOLT M6X16 | | 1 | * | | | |
| 042-1 | 266757-5 | HEX. SOCKET HEAD BOLT M6X16 | < | 1 | | | | |
| 043 | 262001-8 | URETHANE RING 5 | | 1 | | | | |
| 044 | 265717-4 | SCREW M6X43 | | 1 | | | | |
| 045 | 266026-4 | TAPPING SCREW BIND CT 4X12 | | 1 | | | | |
| 046 | 140607-1 | BLADE CASE COMPLETE | | 1 | * | | | |
| | C10 | 263002-9 | RUBBER PIN 4 | 1 | * | | | |
| | C20 | 263005-3 | RUBBER PIN 6 | 1 | * | | | |
| | C30 | 810968-0 | CAUTION LABEL | 1 | * | | | |
| 046-1 | 143350-1 | BLADE CASE COMPLETE | < | 1 | | | | |
| | C10 | 263002-9 | RUBBER PIN 4 | 1 | | | | |
| | C20 | 263005-3 | RUBBER PIN 6 | 1 | | | | |
| 048 | 211021-9 | BALL BEARING 607LLB | | 1 | | | | |
| 049 | 961052-5 | RETAINING RING S-12 | | 1 | | | | |
| 050 | 253813-0 | FLAT WASHER 12 | | 1 | | | | |
| 051 | 226512-7 | HELICAL GEAR 60 | | 1 | | | | |
| 052 | 257011-8 | RING 12 | | 1 | | | | |
| 053 | 213623-7 | O RING 46 | | 1 | | | | |
| 054 | 317193-9 | BEARING BOX | | 1 | | | | |
| 055 | 211129-9 | BALL BEARING 6201DDW | | 1 | | | | |
| 056 | 323798-5 | SPINDLE | | 1 | | | | |
| 057 | 285736-4 | BEARING RETAINER 58 | | 1 | | | | |
| 058 | 224397-5 | INNER FLANGE 40 | | 1 | * | | | |
| 058-1 | 224370-5 | INNER FLANGE 40 | S | 1 | | | | |
| 059 | 911223-4 | PAN HEAD SCREW M5X16 | | 2 | | | | |
| 060 | 224282-2 | OUTER FLANGE 40 | | 1 | * | | | |
| 060-1 | 224275-9 | OUTER FLANGE 40 | S | 1 | | | | |
| 061 | 265461-3 | HEX. BOLT M6X18 | | 1 | * | | | |
| 061-1 | 266733-9 | HEX. S.F.H. BOLT M6X16 | < | 1 | | | | |
| 062 | 345585-2 | CENTER PLATE | | 1 | | | | |
| 063 | 346232-8 | CENTER COVER | | 1 | | | | |
| 064 | 265985-9 | HEX. SOCKET HEAD BOLT M6 | | 1 | | | | |
| 065 | 265473-6 | HEX. BOLT M6X14 | | 1 | * | | | |

