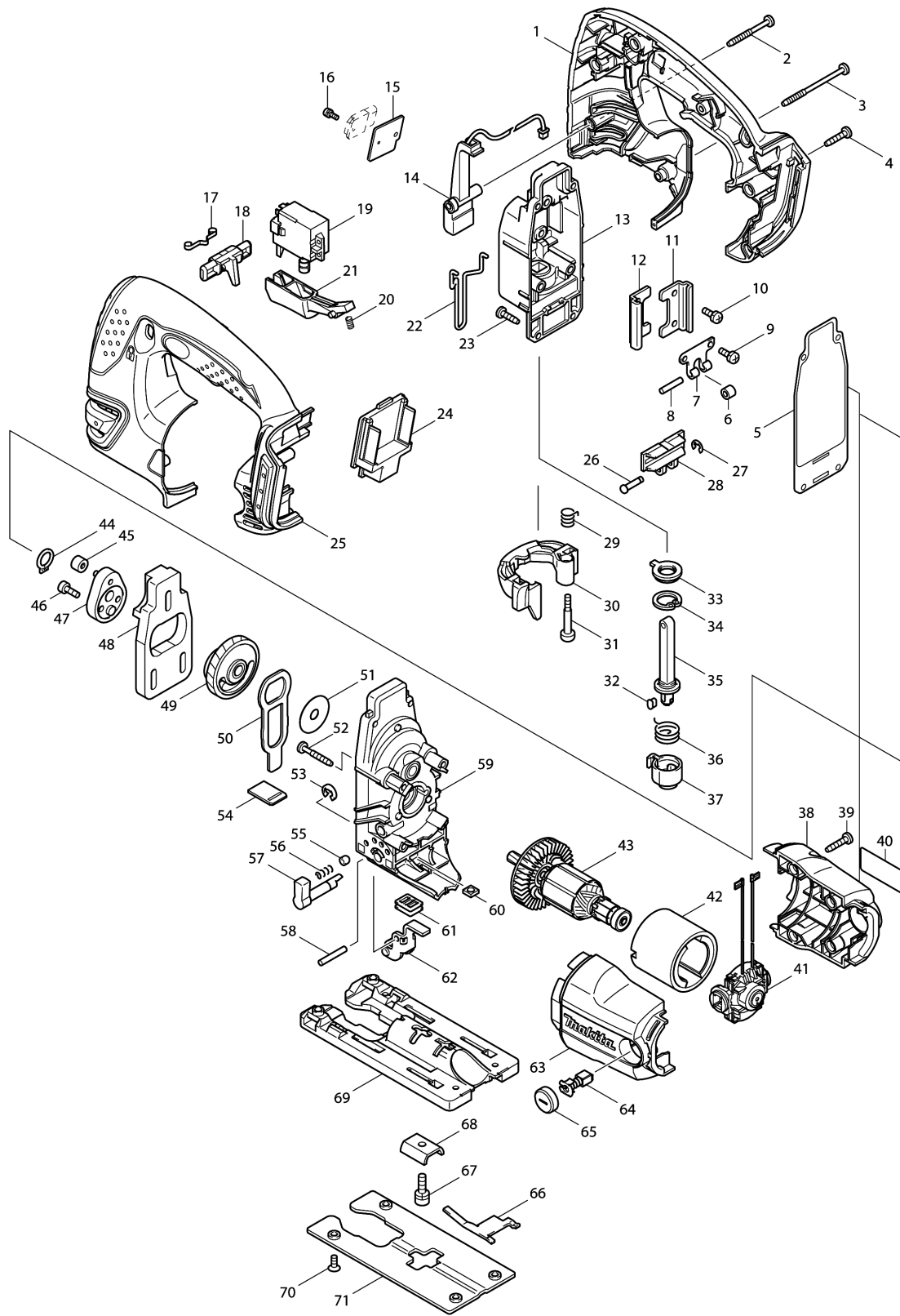


# Model No.BJV180 CORDLESS JIG SAW





## Model No.BJV180 CORDLESS JIG SAW

Item	Parts No.	Description	I/C	Qty	New/Old	Opt. 1	Opt. 2	Note
001	188207-9	HANDLE SET		1	*			
D10		INC. 25			*			
001-1	187725-4	HANDLE SET	X	1				
D10		INC. 25						
002	266048-4	TAPPING SCREW 4X40		1				
003	266091-3	TAPPING SCREW 4X50		1				
004	265995-6	TAPPING SCREW 4X18		5				
005	442138-9	PACKING		1				
006	214031-5	PLANE BEARING 4		1				
007	232207-2	LEAF SPRING		1				
008	256117-9	PIN 4		1				
009	911111-5	PAN HEAD SCREW M4X10 WITH W		2				
010	911111-5	PAN HEAD SCREW M4X10 WITH W		2				
011	345240-6	LINEAR GUIDE		1				
012	345240-6	LINEAR GUIDE		1				
013	153338-3	GEAR HOUSING COVER COMPLETE		1				
C10	253313-0	THIN WASHER 14		1				
C20	257250-0	RING 20		1				
C30	421815-6	DUST SEAL 8		1				
014	631744-7	LIGHT CIRCUIT		1				
015	689070-8	HEAT SINK		1				
016	911006-2	PAN HEAD SCREW M3X8		1				
017	232152-1	LEAF SPRING		1				
018	419613-0	LOCK OFF BUTTON		1				
019	650584-4	SWITCH C3LA-2A-PLSR		1	*			
019-1	650650-7	SWITCH C3LA-2A-PLSRS	X	1				
020	233118-4	COMPRESSION SPRING 4		1				
021	419754-2	SWITCH LEVER		1				
022	324233-6	SAFETY WIRE		1				
023	266034-5	TAPPING SCREW CT 4X16		4				
024	643812-4	TERMINAL		1	*			
024-1	644808-8	TERMINAL	X	1				
025	188207-9	HANDLE SET		1	*			
D10		INC. 1			*			
025-1	187725-4	HANDLE SET	X	1				
D10		INC. 1						
026	268090-1	PIN 4		1				
027	961017-7	STOP RING E-3		1				
028	310134-4	SLIDER		1				
029	231659-4	TORSION SPRING 6		1				
030	419820-5	TOOL OPENER		1				

Please order the parts with part number.

Print Date 19/6/2019

## Model No.BJV180 CORDLESS JIG SAW

Item	Parts No.	Description	I/C	Qty	New/Old	Opt. 1	Opt. 2	Note
031	265026-1	+ PAN HEAD SCREW M4		1				
032	310135-2	PUSH PIN		1				
033	421817-2	DUST COVER		1				
034	962068-3	RETAINING RING R-18		1				
035	165326-8	ROD		1				
036	231660-9	TORSION SPRING 15		1				
037	310136-0	BLADE HOLDER		1				
038	188208-7	MOTOR HOUSING SET		1				
D10		INC. 63						
039	265995-6	TAPPING SCREW 4X18		4				
040	862966-0	BJV180 NAME PLATE		1				
041	638504-8	ENDBELL COMPLETE		1				
042	638373-7	YOKE UNIT		1				
043	619206-5	ARMATURE		1				
044	961004-6	RETAINING RING S-8		1				
045	212014-9	NEEDLE BEARING 407		1	*			
045-1	212092-9	NEEDLE BEARING 407	O	1				
046	265353-6	HEX. SOCKET HEAD BOLT M4X12		2				
047	153336-7	CRANK COMPLETE		1				
048	313108-4	BALANCE PLATE		1				
049	158168-7	GEAR COMPLETE		1				
050	345235-9	PUSH PLATE		1				
051	253877-4	FLAT WASHER 8		1				
052	266050-7	TAPPING SCREW 4X30		4				
053	961018-5	STOP RING E-5		1				
054	417839-8	SEAL PLATE		1				
055	286032-3	CAP 5		1				
056	233139-6	COMPRESSION SPRING 3		1				
057	272244-4	LEVER 17		1	*			
057-1	272280-0	LEVER 17	<	1				
058	268063-4	PIN 4		1				
059	158169-5	GEAR HOUSING COMPLETE		1				
060	252171-1	SQUARE NUT M5-8		1				
061	421816-4	DUST SEAL		1				
062	153334-1	RETAINER COMPLETE		1				
063	188208-7	MOTOR HOUSING SET		1				
D10		INC. 38						
064	191971-3	CARBON BRUSH CB-430		1				
065	643807-7	BRUSH HOLDER CAP		2				
066	232208-0	LEAF SPRING		1				
067	922226-3	HEX. SOCKET HEAD BOLT M5X18		1				

Please order the parts with part number.

Print Date 19/6/2019

## Model No.BJV180 CORDLESS JIG SAW

Item	Parts No.	Description	I/C	Qty	New/Old	Opt. 1	Opt. 2	Note
068	345237-5	CRANK PLATE		1				
069	317565-8	BASE		1				
070	912107-9	COUNTERSUNK HEAD SCREW M4X8		4				
071	345238-3	BASE PLATE		1				
A01	415524-7	ANTI-SPLINTERING DEVICE		1				
A02	417852-6	COVER PLATE		1				
A03	417853-4	DUST NOZZLE		1				
A04A	792522-1	JIG SAW BLADE B-22		1	*			
A04B	792522-1	JIG SAW BLADE B-22		1	*			
A04C	792522-1	JIG SAW BLADE B-22		1	*			
A04-1A	A-85737	JIGSAW BLADE NO.B22	<	1				
A04-1B	A-85737	JIGSAW BLADE NO.B22	<	1				
A04-1C	A-85737	JIGSAW BLADE NO.B22	<	1				
A04-1D	A-85737	JIGSAW BLADE NO.B22		1				
A04-1E	A-85737	JIGSAW BLADE NO.B22		1				
A04-1F	A-85737	JIGSAW BLADE NO.B22		1				
A05A	792538-6	JIG SAW BLADE B-10		1	*			
A05B	792538-6	JIG SAW BLADE B-10		1	*			
A05C	792538-6	JIG SAW BLADE B-10		1	*			
A05-1A	A-85628	JIGSAW BLADE NO.B10	<	1				
A05-1B	A-85628	JIGSAW BLADE NO.B10	<	1				
A05-1C	A-85628	JIGSAW BLADE NO.B10	<	1				
A05-1D	A-85628	JIGSAW BLADE NO.B10		1				
A05-1E	A-85628	JIGSAW BLADE NO.B10		1				
A05-1F	A-85628	JIGSAW BLADE NO.B10		1				
A06A	A-02294	JIG SAW BLADE BR-13		1	*			
A06B	A-02294	JIG SAW BLADE BR-13		1	*			
A06C	A-02294	JIG SAW BLADE BR-13		1	*			
A06-1A	A-85793	JIGSAW BLADE NO.BR13	<	1				
A06-1B	A-85793	JIGSAW BLADE NO.BR13	<	1				
A06-1C	A-85793	JIGSAW BLADE NO.BR13	<	1				
A06-1D	A-85793	JIGSAW BLADE NO.BR13		1				
A06-1E	A-85793	JIGSAW BLADE NO.BR13		1				
A06-1F	A-85793	JIGSAW BLADE NO.BR13		1				
A07	783202-0	HEX. WRENCH 4		1				
A08A	***DC18RA	DC18RA FAST CHARGER		1	*			
A08B	805621-1	BJV180Z TOOL LABEL		1				
A08C	***DC18RA	DC18RA FAST CHARGER		1	*			
A08D	837639-4	INNER TRAY		1				
A08E	837639-4	INNER TRAY		1				
A08F	837639-4	INNER TRAY		1				
A08-1A	***DC18RC	DC18RC FAST CHARGER	<	1				

Please order the parts with part number.

Print Date 19/6/2019

## Model No.BJV180 CORDLESS JIG SAW

Item	Parts No.	Description	I/C	Qty	New/Old	Opt. 1	Opt. 2	Note
A08-1C	***DC18RC	DC18RC FAST CHARGER	<	1				
A09A	194204-5	BATTERY BL1830 SET		1	*			
A09C	194204-5	BATTERY BL1830 SET		2	*			
A09-1A	194204-5	BATTERY BL1830 SET	O	1	*			
A09-1C	194204-5	BATTERY BL1830 SET	O	2	*			
A09-1E	***DC18RC	DC18RC FAST CHARGER		1				
A09-1F	***DC18RC	DC18RC FAST CHARGER		1				
A09-2A	194204-5	BATTERY BL1830 SET	O	1	*			
A09-2C	194204-5	BATTERY BL1830 SET	O	2	*			
A09-3A	194204-5	BATTERY BL1830 SET	O	1	*			
A09-3C	194204-5	BATTERY BL1830 SET	O	2	*			
A09-4A	194204-5	BATTERY BL1830 SET	O	1	*			
A09-4C	197600-6	BATTERY BL1830B SET	<	2	*			
A09-5A	197600-6	BATTERY BL1830B SET	<	1	*			
A09-5C	197600-6	BATTERY BL1830B SET	O	2				
A09-6A	197600-6	BATTERY BL1830B SET	O	1				
A10A	158310-0	PLASTIC CARRYING CASE COMPLETE		1	*			
C10	835785-7	SPONGE 12-180		1	*			
A10C	158310-0	PLASTIC CARRYING CASE COMPLETE		1	*			
C10	835785-7	SPONGE 12-180		1	*			
A10-1A	824775-5	PLASTIC CARRYING CASE	O	1	*			
C10	450909-0	LATCH		2	*			
A10-1C	824775-5	PLASTIC CARRYING CASE	O	1	*			
C10	450909-0	LATCH		2	*			
A10-2A	141486-0	PLASTIC CARRYING CASE COMPLETE	<	1				
C10	450909-0	LATCH		2				
A10-2C	141486-0	PLASTIC CARRYING CASE COMPLETE	<	1				
C10	450909-0	LATCH		2				
A10-2E	194204-5	BATTERY BL1830 SET		2	*			
A10-2F	194204-5	BATTERY BL1830 SET		1	*			
A10-3E	194204-5	BATTERY BL1830 SET	O	2	*			
A10-3F	194204-5	BATTERY BL1830 SET	O	1	*			
A10-4E	197600-6	BATTERY BL1830B SET	<	2	*			
A10-4F	197600-6	BATTERY BL1830B SET	<	1	*			
A10-5E	197600-6	BATTERY BL1830B SET	O	2				
A10-5F	197600-6	BATTERY BL1830B SET	O	1				
A11A	804931-3	BJV180RF TOOL LABEL		1				
A11C	804932-1	BJV180RFE TOOL LABEL		1				
A11D	821550-0	CONNECTOR PLASTIC CASE (TYPE2)		1				
C10	453974-8	LATCH		4				

Please order the parts with part number.

Print Date 19/6/2019

## Model No.BJV180 CORDLESS JIG SAW

Item	Parts No.	Description	I/C	Qty	New/Old	Opt. 1	Opt. 2	Note
A11E	821550-0	CONNECTOR PLASTIC CASE (TYPE2)		1				
C10	453974-8	LATCH		4				
A11F	821550-0	CONNECTOR PLASTIC CASE (TYPE2)		1				
C10	453974-8	LATCH		4				
A12C	450128-8	BATTERY COVER		1				
A12E	450128-8	BATTERY COVER		1				
A13D	800M98-3	BJV180ZJ INDICATION LABEL		1				
A13E	800M96-7	BJV180RFJ INDICATION LABEL		1				
A13F	801V95-6	BJV180RF1J INDICATION LABEL		1				
A14D	800M99-1	BJV180ZJ PLASTIC CASE LABEL		2				
A14E	800M97-5	BJV180RFJ PLASTIC CASE LABEL		2				
A14F	801V96-4	BJV180RF1J PLASTIC CASE LABEL		2				
E01	688131-1	LINE FILTER		1				

Please order the parts with part number.

Print Date 19/6/2019