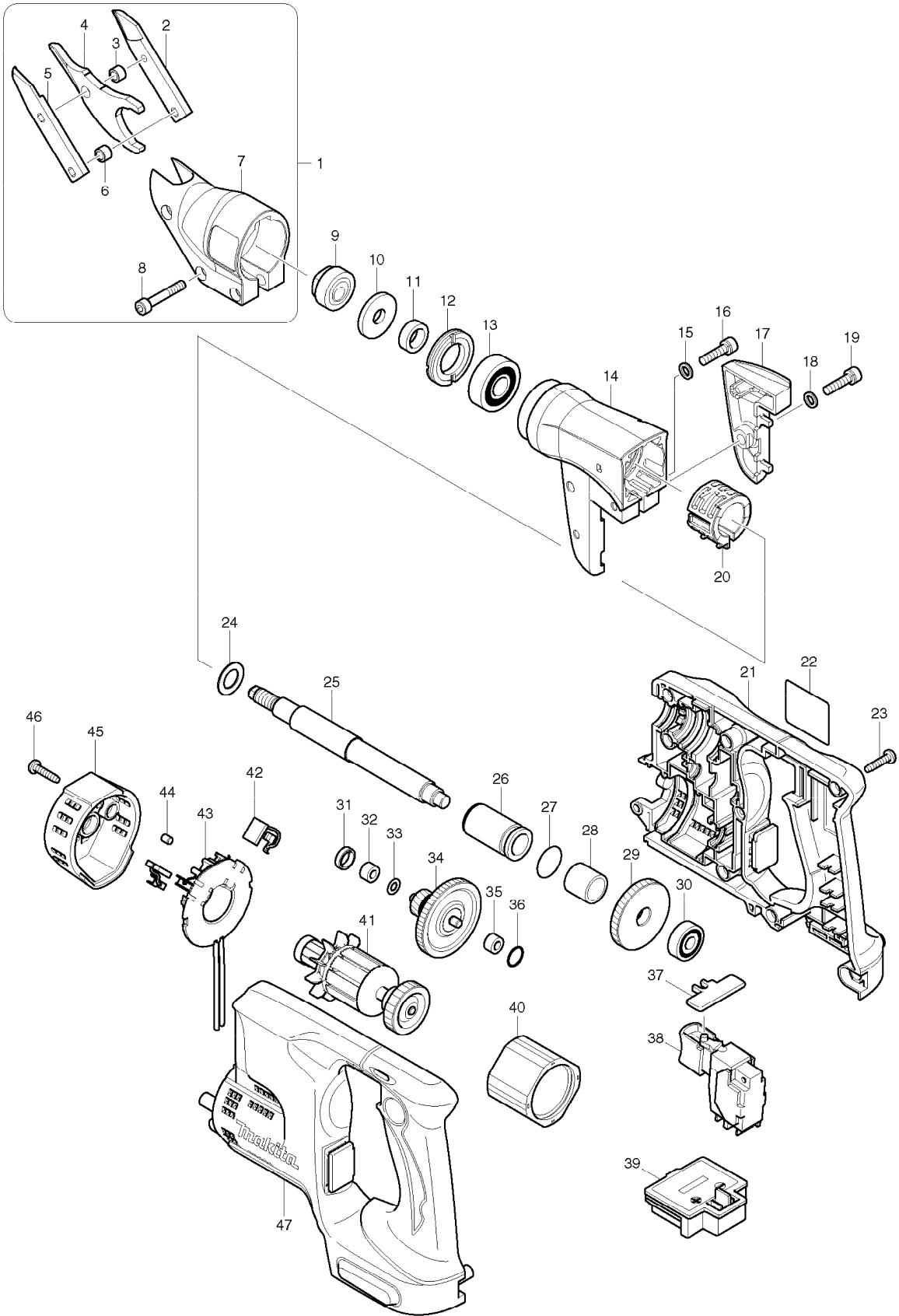


SERVICE DRAWING

MODEL NO. BJS130



SPARE PARTS LIST

MODEL NO. BJS130

ITEM	PART NO.	DESCRIPTION	QTY	NOTE
001	125112-9	SHEAR HEAD ASS'Y	1	
002	792742-7	SIDE BLADE R	1	
003	257705-5	SLEEVE 5	1	
004	792744-3	CENTER BLADE	1	
005	792743-5	SIDE BLADE L	1	
006	257705-5	SLEEVE 5	1	
007	152663-9	CUTTING HEAD COMPLETE	1	
008	266268-0	HEX. SOCKET HEAD BOLT	3	
009	125111-1	BEARING ASS'Y	1	
010	267223-5	FLAT WASHER 10	1	
011	257173-2	RING 12	1	
012	285802-7	BEARING RETAINER 19-33	1	
013	211129-9	BALL BEARING 6201DDW	1	
014	318325-1	BARREL	1	
015	941102-2	FLAT WASHER 5	1	
016	922231-0	HEX. SOCKET HEAD BOLT M5X20	1	
017	450757-7	HOLDER	1	
018	941102-2	FLAT WASHER 5	1	
019	922231-0	HEX. SOCKET HEAD BOLT M5X20	1	
020	450755-1	CLAMPER	1	
021	188540-9	HOUSING SET	1	
022	865590-8	BJS130 NAME PLATE	1	
023	265995-6	TAPPING SCREW 4X18	9	
024	253744-3	FLAT WASHER 12	1	
025	324937-0	SPINDLE	1	
026	214174-3	PLANE BEARING 14	1	
027	213262-3	O RING 18	1	
028	257773-8	SLEEVE 14	1	
029	226686-4	HELICAL GEAR 39	1	
030	211034-0	BALL BEARING 608	1	
031	165115-1	RUBBER SLEEVE 10	1	
032	214017-9	PLANE BEARING 5	1	
033	253811-4	FLAT WASHER 5	1	
034	226154-7	GEAR COMPLETE 11-44	1	
035	214017-9	PLANE BEARING 5	1	
036	213055-8	O RING 10	1	
037	450756-9	LOOK OFF LEVER	1	
038	650575-5	SWITCH TG513SBA	1	
039	643812-4	TERMINAL	1	
040	638426-2	YOKE UNIT	1	
041	619237-4	ARMATURE	1	
042	194427-5	CARBON BRUSH CB-440	1	
043	638433-5	BRUSH HOLDER COMPLETE	1	
044	263032-0	RUBBER PIN 4	2	
045	419307-7	FRONT COVER	1	
046	265995-6	TAPPING SCREW 4X18	2	
047	188540-9	HOUSING SET	1	
A01	281220-7	HOOK	1	
A02	783202-0	HEX. WRENCH 4	1	
A03	194204-5	BATTERY BL1830 SET	2	
A04	450128-8	BATTERY COVER	1	
A05	***DC18RA	DC18RA FAST CHARGER	1	
A06	824756-9	PLASTIC CARRYING CASE	1	