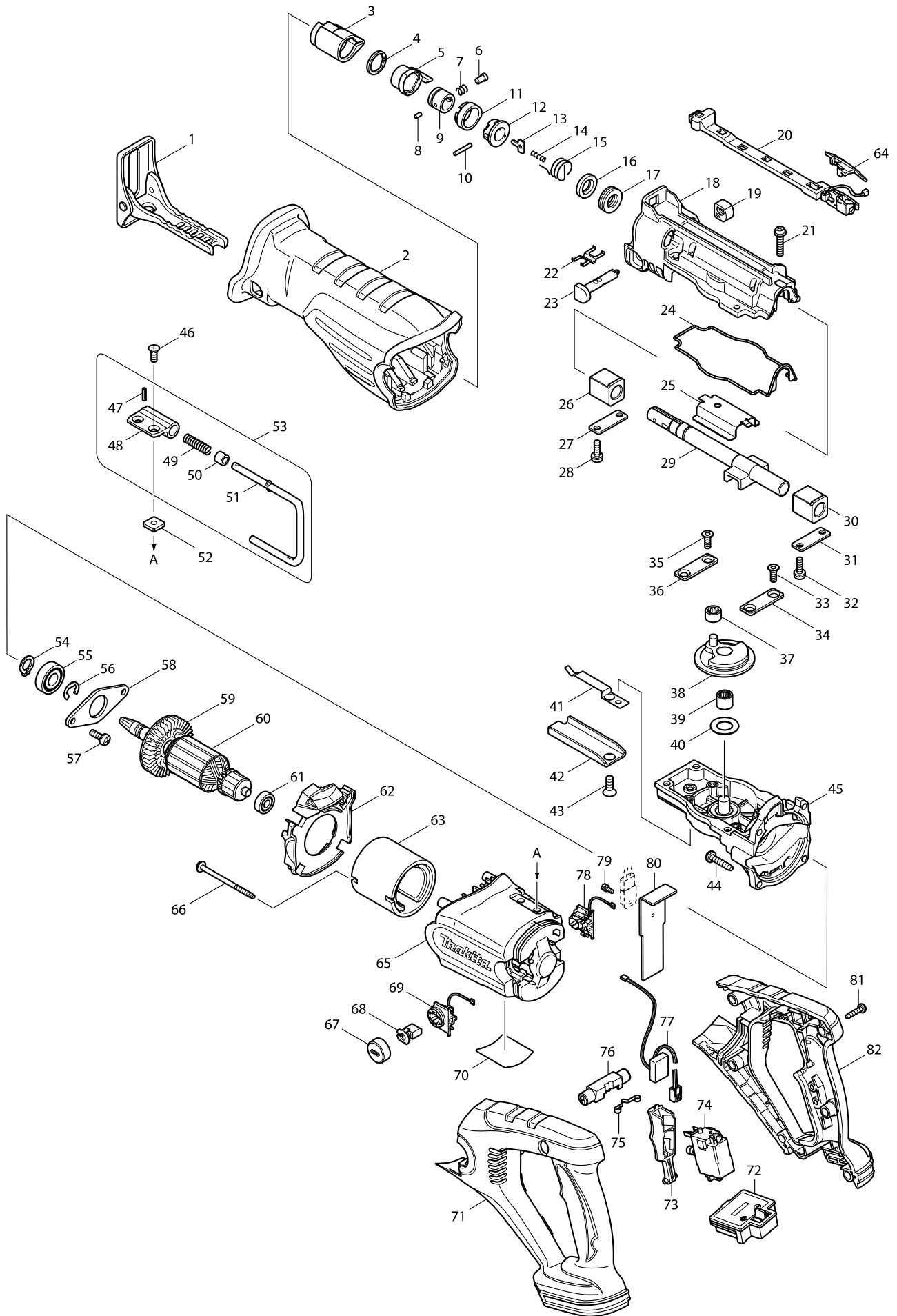


Model No. BJR181 CORDLESS RECIPRO SAW



Model No. BJR181 CORDLESS RECIPRO SAW

Item	Parts No.	Description	I/C	Qty	N/O	Opt. 1	Opt. 2	Note
001	165406-0	SHOE		1				
002	421945-3	INSULATION COVER		1				
003	421894-4	PROTECTOR		1	*			
003-1	424147-0	PROTECTOR	S	1				
004	961078-7	RETAINING RING (EXT) S-18		1	*			
004-1	257952-8	RETAINING RING (EXT) 18	S	1				
005	310160-3	DRIVING SLEEVE		1	*			
005-1	310160-3	DRIVING SLEEVE	O	1	*			
005-2	310285-3	DRIVING SLEEVE	S	1				
006	256492-3	SHOULDER PIN 5		1				
007	233345-3	COMPRESSION SPRING 6		1				
008	268094-3	PIN 3		1				
009	331639-1	GUIDE SLEEVE		1	*			
009-1	331720-8	GUIDE SLEEVE	S	1				
010	256158-5	PIN 3		1				
011	417791-0	DRIVING SLEEVE GUIDE		1				
012	418311-3	SLEEVE		1				
013	345214-7	PUSH PLATE		1				
014	233025-1	COMPRESSION SPRING 2		1				
015	231687-9	TORSION SPRING 17		1				
016	213151-2	OIL SEAL 14		1				
017	213174-0	X RING 14		1				
018	154813-2	GEAR HOUSING COVER COMPLETE		1				
D10		INC. 16,17						
019	418806-6	CAP		1				
020	631689-9	LED CIRCUIT		1				
021	911243-8	PAN HEAD SCREW M5X25		4				
022	232221-8	LEAF SPRING A		1				
023	162236-0	SHIFT BUTTON		1				
024	421946-1	SEAL RING		1				
025	345480-6	SLIDE PLATE		1				
026	214170-1	PLANE BEARING 14A		1				
027	341462-6	PLATE		1				
028	911225-0	PAN HEAD SCREW M5X16		2				
029	154788-5	SLIDER COMPLETE		1	*			
029-1	168405-1	SLIDER	O	1				
030	214170-1	PLANE BEARING 14A		1				
031	341462-6	PLATE		1				
032	911225-0	PAN HEAD SCREW M5X16		2				
033	265148-7	TORX SOCKET HEAD SCREW M5X14		2				
034	344795-8	PLATE C		1				
035	265148-7	TORX SOCKET HEAD SCREW M5X14		2				
036	344795-8	PLATE C		1				
037	212001-8	NEEDLE BEARING 708		1	*			
037-1	212959-1	NEEDLE BEARING 708	O	1				
038	125320-2	GEAR ASS'Y		1	*			
D10		INC. 39			*			
038-1	125423-2	GEAR ASS'Y	O	1				

Model No. BJR181 CORDLESS RECIPRO SAW

Item	Parts No.	Description	I/C	Qty	N/O	Opt. 1	Opt. 2	Note
D10		INC. 39						
039	212074-1	NEEDLE BEARING 1012		1	*			
039-1	212080-6	NEEDLE BEARING 1012	S	1				
040	253797-2	FLAT WASHER 14		1				
041	232222-6	LEAF SPRING B		1				
042	345479-1	SHOE GUIDE		1				
043	265165-7	TORX SOCKET C.S.HEADSCREW M6X		1				
044	266041-8	TAPPING SCREW 5X25		4				
045	154812-4	GEAR HOUSING COMPLETE		1				
046	912207-5	COUNTERSUNK HEAD SCREW M5X10		2				
047	951057-3	SPRING PIN 3-12		1				
048	313127-0	JOINT		1				
049	233455-6	COMPRESSION SPRING 7		1				
050	262561-0	SLEEVE 6		1				
051	281218-4	HOOK		1				
052	264002-2	SQUARE NUT M5		2				
053	125321-0	HOOK ASS'Y		1				
D10		INC. 47-51						
054	961052-5	RETAINING RING S-12		1				
055	210102-6	BALL BEARING 6001DDW		1				
056	961016-9	STOP RING E-10		1				
057	911225-0	PAN HEAD SCREW M5X16		2				
058	285726-7	BEARING RETAINER 63		1				
059	241869-5	FAN 55		1				
060	519176-7	ARMATURE ASS'Y 18V		1				
D10		INC. 59,61						
061	210062-2	BALL BEARING 607ZZ		1				
062	419333-6	BAFFLE PLATE		1				
063	638107-8	YOKE UNIT		1				
064	419327-1	COVER		1				
065	419330-2	MOTOR HOUSING		1				
066	266292-3	TAPPING SCREW 4X65		2				
067	643941-3	BRUSH HOLDER CAP		2				
068	191976-3	CARBON BRUSH CB-432		1	*			
068-1	194435-6	CARBON BRUSH CB-441	<	1				
069	643949-7	BRUSH HOLDER R		1	*			
070	861930-8	BJR181 NAME PLATE		1	*			
070-1	862359-1	BJR181 NAME PLATE	<	1				
071	188046-7	HANDLE SET		1	*			
D10		INC. 82			*			
071-1	187485-8	HANDLE SET	X	1				
D10		INC. 82						
071A_	187484-0	HANDLE SET		1				
D10		INC. 82A						
072	643812-4	TERMINAL		1	*			
072-1	643838-6	TERMINAL	O	1	*			
072-2	643859-8	TERMINAL	X	1	*			
072-3	644808-8	TERMINAL	O	1				

Model No. BJR181 CORDLESS RECIPRO SAW

Item	Parts No.	Description	I/C	Qty	N/O	Opt. 1	Opt. 2	Note
073	419336-0	SWITCH LEVER		1				
074	650574-7	SWITCH C3LA-2A-LLM		1	*			
074-1	650647-6	SWITCH C3LA-2A-LLMS	X	1				
075	232152-1	LEAF SPRING		1				
076	419334-4	LOCK OFF BUTTON		1				
077	631690-4	POWER SUPPLY CIRCUIT		1				
078	643815-8	BRUSH HOLDER		1	*			
078-1	638914-9	BRUSH HOLDER COMPLETE	S	1				
079	911006-2	PAN HEAD SCREW M3X8		1				
080	689116-0	HEAT SINK		1				
081	266045-0	TAPPING SCREW 4X20		6				
082	188046-7	HANDLE SET		1	*			
D10		INC. 71			*			
082-1	187485-8	HANDLE SET	X	1				
D10		INC. 71						
082A_	187484-0	HANDLE SET		1				
D10		INC. 71A						
A01A	***DC18SC	DC18SC CHARGER		1				
A01B	***DC18SC	DC18SC CHARGER		1				
A01C	***DC18RA	DC18RA FAST CHARGER		1	*			
A01D	***DC18RA	DC18RA FAST CHARGER		1	*			
A01-1C	***DC18RC	DC18RC FAST CHARGER	<	1				
A01-1D	***DC18RC	DC18RC FAST CHARGER	<	1				
A02A	194204-5	BATTERY BL1830 SET		1	*			
A02B	194204-5	BATTERY BL1830 SET		2	*			
A02C	194204-5	BATTERY BL1830 SET		1	*			
A02D	194204-5	BATTERY BL1830 SET		2	*			
A02-1A	194204-5	BATTERY BL1830 SET	O	1	*			
A02-1B	194204-5	BATTERY BL1830 SET	O	2	*			
A02-1C	194204-5	BATTERY BL1830 SET	O	1	*			
A02-1D	194204-5	BATTERY BL1830 SET	O	2	*			
A02-2A	194204-5	BATTERY BL1830 SET	O	1	*			
A02-2B	194204-5	BATTERY BL1830 SET	O	2	*			
A02-2C	194204-5	BATTERY BL1830 SET	O	1	*			
A02-2D	194204-5	BATTERY BL1830 SET	O	2	*			
A02-3A	194204-5	BATTERY BL1830 SET	O	1	*			
A02-3B	194204-5	BATTERY BL1830 SET	O	2	*			
A02-3C	194204-5	BATTERY BL1830 SET	O	1	*			
A02-3D	194204-5	BATTERY BL1830 SET	O	2	*			
A02-4A	194204-5	BATTERY BL1830 SET	O	1	*			
A02-4B	194204-5	BATTERY BL1830 SET	O	2	*			
A02-4C	194204-5	BATTERY BL1830 SET	O	1	*			
A02-4D	194204-5	BATTERY BL1830 SET	O	2	*			
A02-5A	194204-5	BATTERY BL1830 SET	O	1	*			
A02-5B	194204-5	BATTERY BL1830 SET	O	2	*			
A02-5C	194204-5	BATTERY BL1830 SET	O	1	*			
A02-5D	194204-5	BATTERY BL1830 SET	O	2	*			
A02-6A	194204-5	BATTERY BL1830 SET	O	1				

