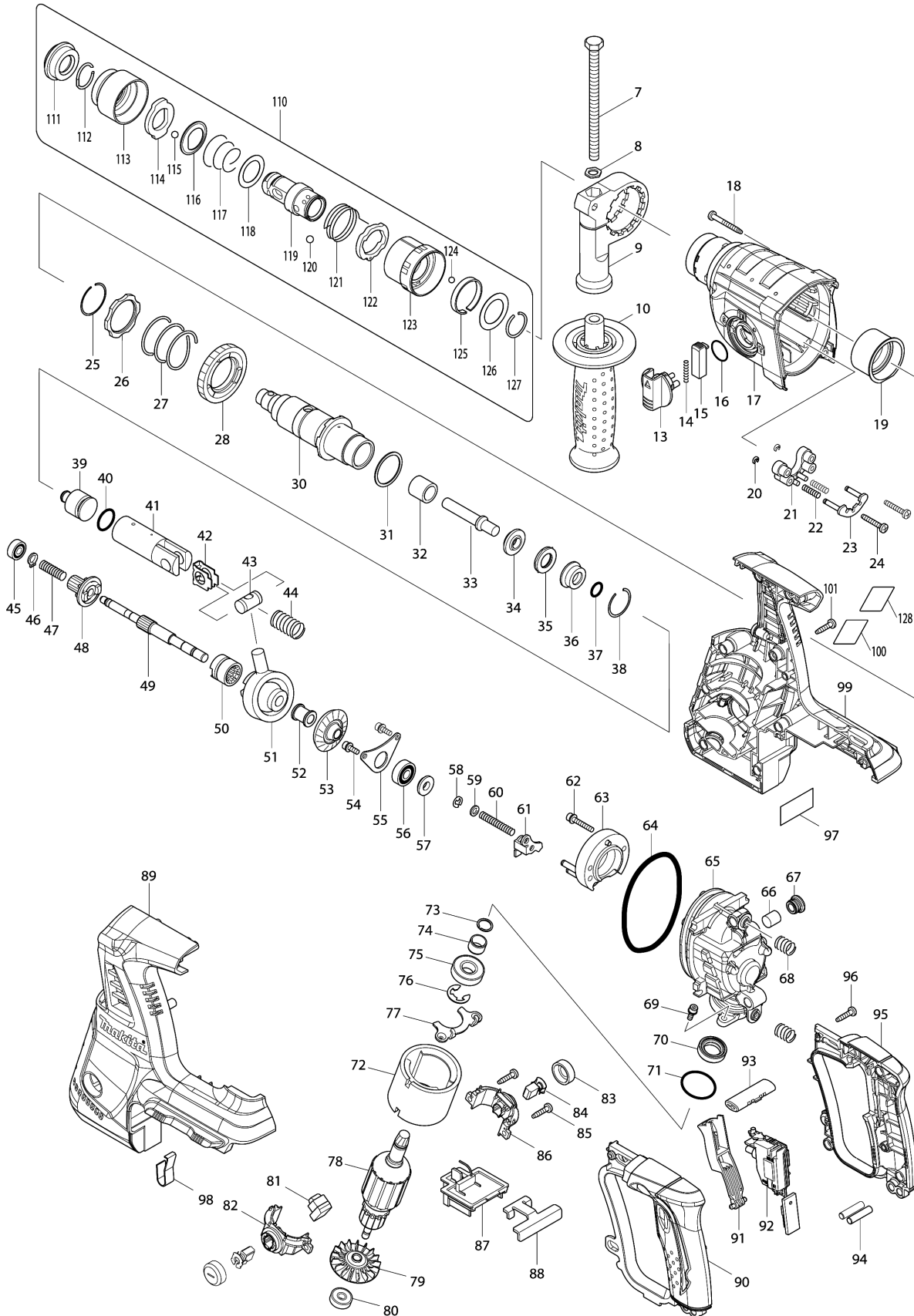


Model No.BHR261T CORDLESS COMBINATION HAMMER



Model No.BHR261T CORDLESS COMBINATION HAMMER

| Item | Parts No. | Description | I/C | Qty | New/Old | Opt. 1 | Opt. 2 | Note |
|-------|-----------|----------------------------|-----|-----|---------|--------|--------|------|
| 007 | 921923-8 | HEX. BOLT M8X120 | | 1 | | | | |
| 008 | 345280-4 | HEX. WASHER | | 1 | | | | |
| 009 | 417630-4 | GRIP BASE | | 1 | | | | |
| 010 | 158057-6 | GRIP 36 COMPLETE | | 1 | | | | |
| 013 | 450980-4 | CHANGE LEVER | | 1 | | | | |
| 014 | 233279-0 | COMPRESSION SPRING 4 | | 1 | | | | |
| 015 | 450978-1 | LOCK BUTTON | | 1 | | | | |
| 016 | 213278-8 | O RING 17 | | 1 | | | | |
| 017 | 158945-7 | GEAR HOUSING COMPLETE | | 1 | | | | |
| C10 | 213965-9 | OIL SEAL 25 | | 1 | * | | | |
| C11 | 213345-9 | OIL SEAL 25 | O | 1 | | | | |
| 018 | 266351-3 | TAPPING SCREW 4X35 | | 4 | | | | |
| 019 | 153290-5 | NEEDLE BEARING COMPLETE | | 1 | | | | |
| 020 | 961017-7 | STOP RING E-3 | | 2 | | | | |
| 021 | 417796-0 | GUIDE BASE | | 1 | | | | |
| 022 | 233344-5 | COMPRESSION SPRING 4 | | 2 | | | | |
| 023 | 163430-7 | LOCK PLATE COMPLETE | | 1 | | | | |
| 024 | 266374-1 | TAPPING SCREW 4X25 | | 2 | | | | |
| 025 | 233929-7 | RING SPRING 29 | | 1 | | | | |
| 026 | 267791-8 | WASHER 31 | | 1 | * | | | |
| 026-1 | 267460-1 | WASHER 31 | < | 1 | | | | |
| 027 | 233401-9 | COMPRESSION SPRING 32 | | 1 | | | | |
| 028 | 227109-5 | SPUR GEAR 51 | | 1 | | | | |
| 030 | 158307-9 | TOOL HOLDER GUIDE COMPLETE | | 1 | | | | |
| 031 | 267229-3 | FLAT WASHER 28 | | 1 | | | | |
| 032 | 331769-8 | SLEEVE 9 | | 1 | | | | |
| 033 | 324796-2 | IMPACT BOLT | | 1 | | | | |
| 034 | 324402-9 | RING 10 | | 1 | | | | |
| 035 | 421955-0 | CUSHION RING 13 | | 1 | | | | |
| 036 | 324216-6 | O RING CASE | | 1 | | | | |
| 037 | 213073-6 | O RING 9 | | 1 | | | | |
| 038 | 233917-4 | RING SPRING 28 | | 1 | | | | |
| 039 | 324214-0 | STRIKER | | 1 | | | | |
| 040 | 213227-5 | O RING 16 | | 1 | | | | |
| 041 | 318132-2 | PISTON CYLINDER | | 1 | | | | |
| 042 | 346036-8 | GUIDE PLATE | | 1 | | | | |
| 043 | 324215-8 | PISTON JOINT | | 1 | | | | |
| 044 | 234098-7 | COMPRESSION SPRING 14 | | 1 | | | | |
| 045 | 211012-0 | BALL BEARING 606ZZ | | 1 | | | | |
| 046 | 961003-8 | RETAINING RING S-7 | | 1 | | | | |
| 047 | 233343-7 | COMPRESSION SPRING 7 | | 1 | | | | |
| 048 | 227179-4 | SPUR GEAR 10 | | 1 | | | | |

Please order the parts with part number.

Print Date 19/6/2019

Model No.BHR261T CORDLESS COMBINATION HAMMER

| Item | Parts No. | Description | I/C | Qty | New/Old | Opt. 1 | Opt. 2 | Note |
|-------|-----------|--------------------------------|-----|-----|---------|--------|--------|------|
| 049 | 325622-8 | CAM SHAFT | | 1 | * | | | |
| 049-1 | 325976-3 | CAM SHAFT | < | 1 | | | | |
| 050 | 331768-0 | CLUTCH CAM | | 1 | * | | | |
| 050-1 | 331992-5 | CLUTCH CAM | < | 1 | | | | |
| 051 | 219014-0 | SWASH BEARING 10 | | 1 | | | | |
| 052 | 325640-6 | SLEEVE 9 | | 1 | | | | |
| 053 | 227549-7 | SPIRAL BEVEL GEAR 26 | | 1 | | | | |
| 054 | 266273-7 | HEX. SOCKET HEAD BOLT M4X12 | | 2 | | | | |
| 055 | 346038-4 | BEARING RETAINER B | | 1 | | | | |
| 056 | 211032-4 | BALL BEARING 608ZZ | | 1 | | | | |
| 057 | 324212-4 | RING 8 | | 1 | | | | |
| 058 | 961011-9 | STOP RING E-4 | | 1 | | | | |
| 059 | 941102-2 | FLAT WASHER 5 | | 1 | | | | |
| 060 | 233342-9 | COMPRESSION SPRING 6 | | 1 | | | | |
| 061 | 345220-2 | CHANGE PLATE | | 1 | | | | |
| 062 | 922148-7 | HEX. SOCKET HEAD BOLT M4X25 | | 2 | | | | |
| 063 | 158944-9 | INNER SUPPORT COMPLETE | | 1 | | | | |
| 064 | 213728-3 | O-RING 68 | | 1 | | | | |
| 065 | 318392-6 | INNER HOUSING | | 1 | | | | |
| 066 | 443143-9 | FILTER | | 1 | | | | |
| 067 | 424185-2 | CAP | | 1 | | | | |
| 068 | 234097-9 | COMPRESSION SPRING 10 | | 2 | | | | |
| 069 | 266273-7 | HEX. SOCKET HEAD BOLT M4X12 | | 2 | | | | |
| 070 | 213231-4 | OIL SEAL 15 | | 1 | | | | |
| 071 | 213437-4 | O RING 28 | | 1 | | | | |
| 072 | 632828-4 | YOKE UNIT | | 1 | | | | |
| 073 | 961082-6 | RETAINING RING WR12 | | 1 | | | | |
| 074 | 331596-3 | SLEEVE 12 | | 1 | | | | |
| 075 | 211131-2 | BALL BEARING 6001DDW | | 1 | | | | |
| 076 | 961016-9 | STOP RING E-10 | | 1 | | | | |
| 077 | 346037-6 | BEARING RETAINER A | | 1 | | | | |
| 078 | 519235-7 | ARMATURE ASS'Y 36V | | 1 | | | | |
| D10 | | INC. 73-76,79,80 | | | | | | |
| 079 | 240037-7 | FAN 44 | | 1 | | | | |
| 080 | 210022-4 | BALL BEARING 626DDW | | 1 | | | | |
| 081 | 631850-8 | LIGHT CIRCUIT | | 1 | | | | |
| 082 | 638660-4 | BRUSH HOLDER | | 1 | * | | | |
| 082-1 | 539214-9 | BRUSH HOLDER ASS'Y | < | 1 | * | | | |
| 082-2 | 638945-8 | BRUSH HOLDER COMPLETE | S | 1 | | | | |
| C10 | 688165-4 | LINE FILTER | | 1 | | | | |
| C20 | 688172-7 | LINE FILTER | | 1 | | | | |

Please order the parts with part number.

Print Date 19/6/2019

Model No.BHR261T CORDLESS COMBINATION HAMMER

| Item | Parts No. | Description | I/C | Qty | New/Old | Opt. 1 | Opt. 2 | Note |
|-------|-----------|--------------------------|-----|-----|---------|--------|--------|------|
| 083 | 643829-7 | HOLDER CAP | | 2 | | | | |
| 084 | 194928-3 | CARBON BRUSH CB-442 | | 1 | | | | |
| 085 | 266326-2 | TAPPING SCREW 4X18 | | 2 | | | | |
| 086 | 638661-2 | BRUSH HOLDER | | 1 | * | | | |
| 086-1 | 539215-7 | BRUSH HOLDER ASS'Y | < | 1 | * | | | |
| 087 | 638657-3 | TERMINAL UNIT | | 1 | | | | |
| 087A_ | 638978-3 | TERMINAL UNIT | | 1 | | | | |
| 088 | 346039-2 | SUPPORT PLATE | | 1 | | | | |
| 089 | 188665-9 | HOUSING SET | | 1 | * | | | |
| C10 | 263005-3 | RUBBER PIN 6 | | 4 | * | | | |
| C20 | 263025-7 | RUBBER PIN 4 | | 4 | * | | | |
| D10 | | INC. 99 | | | * | | | |
| 089-1 | 187231-9 | HOUSING SET | O | 1 | | | | |
| C10 | 263005-3 | RUBBER PIN 6 | | 4 | | | | |
| C20 | 263025-7 | RUBBER PIN 4 | | 4 | | | | |
| D10 | | INC. 99 | | | | | | |
| 090 | 188639-0 | HANDLE SET | | 1 | | | | |
| D10 | | INC. 95 | | | | | | |
| 091 | 450981-2 | SWITCH LEVER | | 1 | | | | |
| 092 | 650619-1 | SWITCH C3HZ-2A-PBLM | | 1 | | | | |
| 093 | 450979-9 | F/R CHANGE LEVER | | 1 | | | | |
| 094 | 256261-2 | PIN 6 | | 2 | | | | |
| 095 | 188639-0 | HANDLE SET | | 1 | | | | |
| D10 | | INC. 90 | | | | | | |
| 096 | 266326-2 | TAPPING SCREW 4X18 | | 4 | | | | |
| 097 | 814979-7 | BHR261T SERIAL NO. LABEL | | 1 | * | | | |
| 097-1 | 896702-2 | BHR261T SERIAL NO. LABEL | < | 1 | | | | |
| 098 | 344903-1 | VIBRATION ISOLATOR PLATE | | 1 | | | | |
| 099 | 188665-9 | HOUSING SET | | 1 | * | | | |
| C10 | 263005-3 | RUBBER PIN 6 | | 4 | * | | | |
| C20 | 263025-7 | RUBBER PIN 4 | | 4 | * | | | |
| D10 | | INC. 89 | | | * | | | |
| 099-1 | 187231-9 | HOUSING SET | O | 1 | | | | |
| C10 | 263005-3 | RUBBER PIN 6 | | 4 | | | | |
| C20 | 263025-7 | RUBBER PIN 4 | | 4 | | | | |
| D10 | | INC. 89 | | | | | | |
| 100 | 866458-1 | BHR261T NAME PLATE | | 1 | | | | |
| 101 | 266326-2 | TAPPING SCREW 4X18 | | 9 | | | | |
| 110 | 194080-7 | TOOL HOLDER SET | | 1 | | | | |
| D10 | | INC. 111-127 | | | | | | |
| 111 | 286263-4 | CAP 35 | | 1 | | | | |
| 112 | 233940-9 | RING SPRING 19 | | 1 | | | | |

Please order the parts with part number.

Print Date 19/6/2019

Model No.BHR261T CORDLESS COMBINATION HAMMER

| Item | Parts No. | Description | I/C | Qty | New/Old | Opt. 1 | Opt. 2 | Note |
|-------|-----------|-------------------------------|-----|-----|---------|--------|--------|------|
| 113 | 418217-5 | CHUCK COVER | | 1 | | | | |
| 114 | 345333-9 | STOPPER | | 1 | | | | |
| 115 | 216022-2 | STEEL BALL 7.0 | | 1 | | | | |
| 116 | 345187-4 | GUIDE WASHER | | 1 | | | | |
| 117 | 233916-6 | CONICAL COMP. SPRING 21-29 | | 1 | | | | |
| 118 | 267279-8 | FLAT WASHER 21 | | 1 | | | | |
| 119 | 324355-2 | TOOL HOLDER | | 1 | | | | |
| 120 | 216013-3 | STEEL BALL 6 | | 2 | | | | |
| 121 | 231669-1 | TORSION SPRING 31 | | 1 | | | | |
| 122 | 345334-7 | CHANGE RING | | 1 | | | | |
| 123 | 418218-3 | CHANGE COVER | | 1 | | | | |
| 124 | 216018-3 | STEEL BALL 5.0 | | 1 | | | | |
| 125 | 345335-5 | LEAF SPRING | | 1 | | | | |
| 126 | 267270-6 | FLAT WASHER 24 | | 1 | | | | |
| 127 | 233924-7 | RING SPRING 21 | | 1 | | | | |
| 128 | 819348-7 | CLEAR LABEL | | 1 | * | | | |
| 128-1 | 893038-0 | CLEAR LABEL | < | 1 | | | | |
| A01 | 194079-2 | DRILL CHUCK SET | | 1 | * | | | |
| C10 | 251425-3 | - FLAT HEAD SCREW M6X22 | | 1 | * | | | |
| C20 | 324353-6 | CHUCK HOLDER | | 1 | * | | | |
| C30 | 418216-7 | SPACER | | 1 | * | | | |
| A01-1 | 194079-2 | DRILL CHUCK SET | < | 1 | | | | |
| C20 | 324353-6 | CHUCK HOLDER | | 1 | | | | |
| C30 | 418216-7 | SPACER | | 1 | | | | |
| A02 | 194659-4 | GREASE VESSEL SET | | 1 | * | | | |
| A02-1 | 194683-7 | GREASE VESSEL SET | O | 1 | | | | |
| A03 | 324219-0 | DEPTH GAUGE | | 1 | | | | |
| A04 | 443122-7 | CLOTH | | 1 | | | | |
| A05 | 824874-3 | PLASTIC CARRYING CASE | | 1 | * | | | |
| C10 | 162271-8 | LATCH | | 2 | * | | | |
| C20 | 325636-7 | SHAFT | | 1 | * | | | |
| C30 | 450990-1 | HANDLE | | 1 | * | | | |
| A05-1 | 824874-3 | PLASTIC CARRYING CASE | O | 1 | | | | |
| C10 | 162271-8 | LATCH | | 2 | | | | |
| C20 | 325636-7 | SHAFT | | 1 | | | | |
| C30 | 450990-1 | HANDLE | | 1 | | | | |
| A06 | 808669-2 | BHR261TRDE PLASTIC CASE LABEL | | 2 | | | | |
| A07 | ***DC36RA | DC36RA FAST CHARGER | | 1 | | | | |
| A08 | 194873-2 | BATTERY BL3626 SET | | 2 | * | | | |
| A08-1 | 194873-2 | BATTERY BL3626 SET | O | 2 | * | | | |
| A08-2 | 194873-2 | BATTERY BL3626 SET | O | 2 | | | | |

Please order the parts with part number.

Print Date 19/6/2019

Model No.BHR261T CORDLESS COMBINATION HAMMER

| Item | Parts No. | Description | I/C | Qty | New/Old | Opt. 1 | Opt. 2 | Note |
|------|-----------|---------------|-----|-----|---------|--------|--------|------|
| A09 | 451153-2 | BATTERY COVER | | 1 | | | | |

Please order the parts with part number.

Print Date 19/6/2019