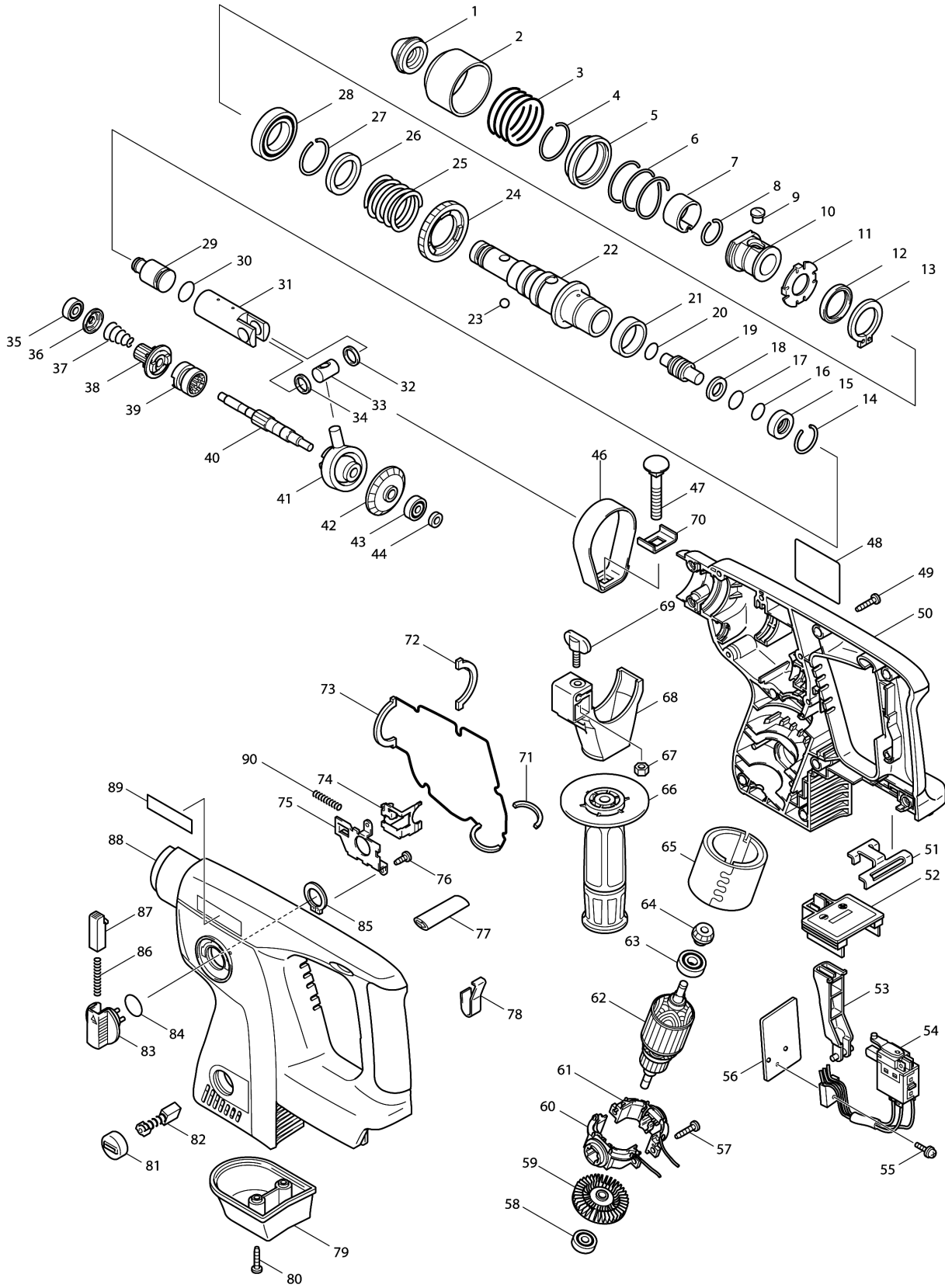


Model No.BHR200 CORDLESS ROTARY HAMMER 20MM



Model No.BHR200 CORDLESS ROTARY HAMMER 20MM

Item	Parts No.	Description	I/C	Qty	New/Old	Opt. 1	Opt. 2	Note
001	286248-0	CAP 31		1	*			
001-1	286265-0	CAP 31	X	1				
002	417299-4	CHUCK COVER		1				
003	233203-3	COMPRESSION SPRING 38		1				
004	231936-4	RING SPRING 30.5		1				
005	323819-3	SPRING GUIDE		1				
006	233234-2	COMPRESSION SPRING 35		1				
007	232190-3	LEAF SPRING 26		1				
008	231979-6	RING SPRING 17		1				
009	256447-8	PIN 8		1				
010	323820-8	CHUCK RING		1				
011	344690-2	GUIDE WASHER		1				
012	213360-3	OIL SEAL 25		1				
013	961105-0	RETAINING RING S-25		1				
014	231987-7	RING SPRING 21		1				
015	323846-0	O RING CASE		1				
016	213117-2	O RING 11		1				
017	213125-3	O RING 12		1				
018	257231-4	RING 12		1				
019	324015-6	IMPACT BOLT		1				
020	213124-5	O RING 12		1				
021	214405-0	PLANE BEARING 26		1				
022	324014-8	TOOL HOLDER		1				
023	216022-2	STEEL BALL 7.0		1				
024	227002-3	SPUR GEAR 49		1				
025	233109-5	COMPRESSION SPRING 29		1				
026	267132-8	FLAT WASHER 29		1				
027	231962-3	RING SPRING 26		1				
028	211377-0	BALL BEARING 6905LLB		1				
029	324016-4	STRIKER		1				
030	213230-6	O RING 15		1				
031	317380-0	PISTON CYLINDER		1	*			
031-1	317380-0	PISTON CYLINDER	O	1				
032	267104-3	FLAT WASHER 12		1				
033	324017-2	PISTON JOINT		1				
034	267104-3	FLAT WASHER 12		1				
035	211012-0	BALL BEARING 606ZZ		1				
036	344905-7	CUP WASHER 6		1				
037	231999-0	CONICAL COMP. SPRING 7-14		1				
038	226399-7	SPUR GEAR 10		1				
039	323988-0	CLUTCH CAM		1				
040	324018-0	CAM SHAFT		1				

Please order the parts with part number.

Print Date 24/9/2020

Model No.BHR200 CORDLESS ROTARY HAMMER 20MM

Item	Parts No.	Description	I/C	Qty	New/Old	Opt. 1	Opt. 2	Note
041	219013-2	SWASH BEARING 10		1	*			
041-1	219014-0	SWASH BEARING 10	O	1				
042	226792-5	ZEROL BEVEL GEAR 32		1				
043	210022-4	BALL BEARING 626DDW		1				
044	257235-6	RING 6		1				
046	344901-5	GRIP SPRING 50		1				
047	266250-9	CUP SQUARE NECK BOLT M8X50		1				
048	852433-3	NAME PLATE BHR200		1				
049	265995-6	TAPPING SCREW 4X18		14				
050A	183247-2	HOUSING SET		1	*			
050B	183247-2	HOUSING SET		1	*			
050D	183247-2	HOUSING SET		1	*			
D10		INC. 88			*			
050-1	183393-1	HOUSING SET	S	1	*			
D10		INC. 88,89			*			
050-2	183891-5	HOUSING SET	S	1				
D10		INC. 88,89						
051	344898-8	SUPPORT PLATE		1				
052	643955-2	TERMINAL		1				
053	417291-0	SWITCH LEVER		1				
054	651990-6	SWITCH TG523BFSB-1		1				
055	911006-2	PAN HEAD SCREW M3X8		1				
056	689099-4	HEAT SINK		1				
057	265995-6	TAPPING SCREW 4X18		2				
058	210022-4	BALL BEARING 626DDW		1				
059	240037-7	FAN 44		1				
060	643963-3	BRUSH HOLDER		1				
061	643964-1	BRUSH HOLDER		1				
062A	519060-6	ARMATURE ASS'Y		1	*			
D10		INC. 58,59,63			*			
062B	519060-6	ARMATURE ASS'Y		1	*			
D10		INC. 58,59,63			*			
062D	519060-6	ARMATURE ASS'Y		1	*			
D10		INC. 58,59,63			*			
062-1	519066-4	ARMATURE ASS'Y 24V	S	1				
D10		INC. 58,59,63						
063	210024-0	BALL BEARING 608LLU		1				
064	226793-3	ZEROL BEVEL GEAR 11		1				
065	632828-4	YOKE UNIT		1				
066	152624-9	GRIP 36 COMPLETE		1				
067	931202-6	HEX. NUT M5		1				
068	417294-4	GRIP BASE		1				

Please order the parts with part number.

Print Date 24/9/2020

Model No.BHR200 CORDLESS ROTARY HAMMER 20MM

Item	Parts No.	Description	I/C	Qty	New/Old	Opt. 1	Opt. 2	Note
069	265720-5	THUMB SCREW M5X14		1				
070	344902-3	PLATE		1				
071	421750-8	SEAL RING B		1				
072	421749-3	SEAL RING A		1				
073	421748-5	SEAL RING		1				
074	344899-6	CHANGE PLATE		1				
075	344900-7	GUIDE PLATE		1	*			
075-1	345457-1	GUIDE PLATE	S	1				
076	266020-6	TAPPING SCREW 4X12		2				
077	417292-8	F/R CHANGE LEVER		1				
078	344903-1	VIBRATION ISOLATOR PLATE		1				
079	417297-8	FOOT		1				
080	265995-6	TAPPING SCREW 4X18		2				
081	643941-3	BRUSH HOLDER CAP		2				
082	191971-3	CARBON BRUSH CB-430		1				
083	417293-6	CHANGE LEVER		1				
084	213265-7	O RING 17		1				
085	961078-7	RETAINING RING (EXT) S-18		1				
086	233279-0	COMPRESSION SPRING 4		1				
087	417298-6	LOCK BUTTON		1				
088A	183247-2	HOUSING SET		1	*			
088B	183247-2	HOUSING SET		1	*			
088D	183247-2	HOUSING SET		1	*			
D10		INC. 50			*			
088-1	183393-1	HOUSING SET	S	1	*			
D10		INC. 50,89			*			
088-2	183891-5	HOUSING SET	S	1				
D10		INC. 50,89						
089	819063-3	MAKITA LABEL		1				
090	233278-2	COMPRESSION SPRING 5		1				
091	685730-0	SPONGE		1				
092	345458-9	STOPPER PLATE		1				
093	345456-3	SUB PLATE		1				
094	231678-0	TORSION SPRING 9		1				
095	911110-7	PAN HEAD SCREW M4X8		1				
A01	181573-3	GREASE VESSEL 93G		1	*			
A01-1	181573-3	GREASE VESSEL 93G	O	1				
A02	321144-6	DEPTH GAUGE		1				
A03A_	824577-9	PLASTIC CARRYING CASE		1	*			
C10	416401-6	LATCH		2	*			
A03A1A	152790-2	PLASTIC CARRYING CASE COMPLETE	X	1	*			
C10	416401-6	LATCH		2	*			

Please order the parts with part number.

Print Date 24/9/2020

Model No.BHR200 CORDLESS ROTARY HAMMER 20MM

Item	Parts No.	Description	I/C	Qty	New/Old	Opt. 1	Opt. 2	Note
A03A1B	152790-2	PLASTIC CARRYING CASE COMPLETE	X	1	*			
C10	416401-6	LATCH		2	*			
A03A1D	152790-2	PLASTIC CARRYING CASE COMPLETE	X	1	*			
C10	416401-6	LATCH		2	*			
A03A2	824613-1	PLASTIC CARRYING CASE	O	1	*			
C10	417075-6	LATCH		2	*			
A03A3	824690-3	PLASTIC CARRYING CASE	<	1				
C10	417152-4	LATCH		2				
C20	819140-1	MAKITA LOGO LABEL		1				
A04D	193127-4	BATTERY B2417 (1.7AH)		1	*			
A04-1D	193736-9	BATTERY BH2420 SET	O	1				
A04B_	193130-5	BATTERY B2430 (3.0AH)		1	*			
A04B1	193739-3	BATTERY BH2433 SET	O	1				
A05	***DC24SA	DC24SA BATTERY CHARGER		1	*			
A05-1	***DC24SC	DC24SC BATTERY CHARGER	O	1				
B01	134901-1	GRIP 36 ASS'Y		1				
D10		INC. 46,47,66-70						
B02	183474-1	SEAL RING SET		1				
D10		INC. 71-73						
E01B	193130-5	BATTERY B2430 (3.0AH)		1	*			
E01-1B	193739-3	BATTERY BH2433 SET	O	1				
E02	688165-4	LINE FILTER		1				
E03	688172-7	LINE FILTER		1				

Please order the parts with part number.

Print Date 24/9/2020