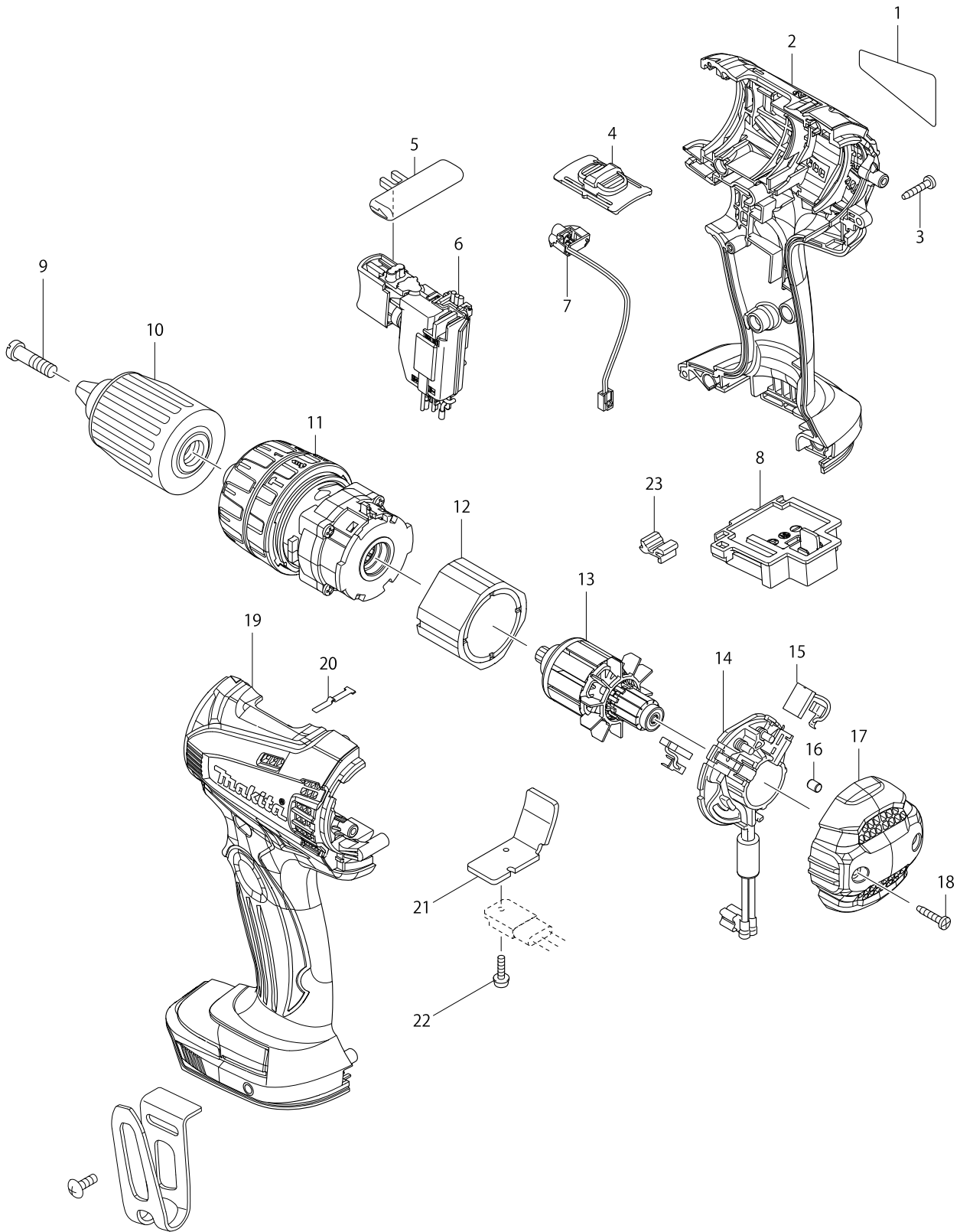


Model No. BHP446 CORDLESS HAMMER DRIVER DRILL



Model No. BHP446 CORDLESS HAMMER DRIVER DRILL

Item	Parts No.	Description	I/C	Qty	N/O	Opt. 1	Opt. 2	Note
001	869800-5	BHP446 NAME PLATE		1				
002	187149-4	HOUSING SET		1				
C10	263005-3	RUBBER PIN 6		2				
D10		INC. 19						
003	266429-2	TAPPING SCREW 3X16		9				
004A	125832-5	SPEED CHANGE LEVER ASSEMBLY		1	*			
C10	233438-6	COMPRESSION SPRING 4		2	*			
004B	125832-5	SPEED CHANGE LEVER ASSEMBLY		1	*			
C10	233438-6	COMPRESSION SPRING 4		2	*			
004-1A	126289-3	SPEED CHANGE LEVER ASSEMBLY	<	1				
C10	233438-6	COMPRESSION SPRING 4		2				
004-1B	126289-3	SPEED CHANGE LEVER ASSEMBLY	<	1				
C10	233438-6	COMPRESSION SPRING 4		2				
004-1C	126289-3	SPEED CHANGE LEVER ASSEMBLY		1				
C10	233438-6	COMPRESSION SPRING 4		2				
004-1D	126289-3	SPEED CHANGE LEVER ASSEMBLY		1				
C10	233438-6	COMPRESSION SPRING 4		2				
005	419250-0	F/R CHANGE LEVER		1				
006	650637-9	SWITCH		1	*			
006-1	650731-7	SWITCH C3HZ-1A-TLMS	<	1				
007	620012-3	LED CIRCUIT		1	*			
007-1	620388-8	LED CIRCUIT	O	1				
008	643866-1	TERMINAL		1				
009	251468-5	- FLAT HEAD SCREW M6X22		1				
010	763175-3	KEYLESS DRILL CHUCK 13		1				
011	125848-0	GEAR ASSEMBLY		1	*			
011-1	126460-9	GEAR ASSEMBLY	<	1				
012	638425-4	YOKE UNIT		1				
013	619287-9	ARMATURE		1				
014	638845-2	BRUSH HOLDER COMPLETE		1				
C10	688161-2	LINE FILTER		1				
015	194427-5	CARBON BRUSH CB-440		1				
016	263032-0	RUBBER PIN 4		2				
017	452205-2	REAR COVER		1				
018	266429-2	TAPPING SCREW 3X16		2				
019	187149-4	HOUSING SET		1				
C10	263005-3	RUBBER PIN 6		2				
D10		INC. 2						
020	232182-2	LEAF SPRING		1				
021	689170-4	HEAT SINK		1				
022	911013-5	PAN HEAD SCREW M3X10		1				
023	424026-2	CUSHION		1	*			
023-1	424476-1	CUSHION	<	1				
A01	251314-2	+ SCREW M4X12		1				
A02	346317-0	HOOK		1				
A03	784637-8	+/- BIT 2-45		1				
A04A	824754-3	PLASTIC CASE		1	*			
C10	419216-0	HANDLE		1	*			

