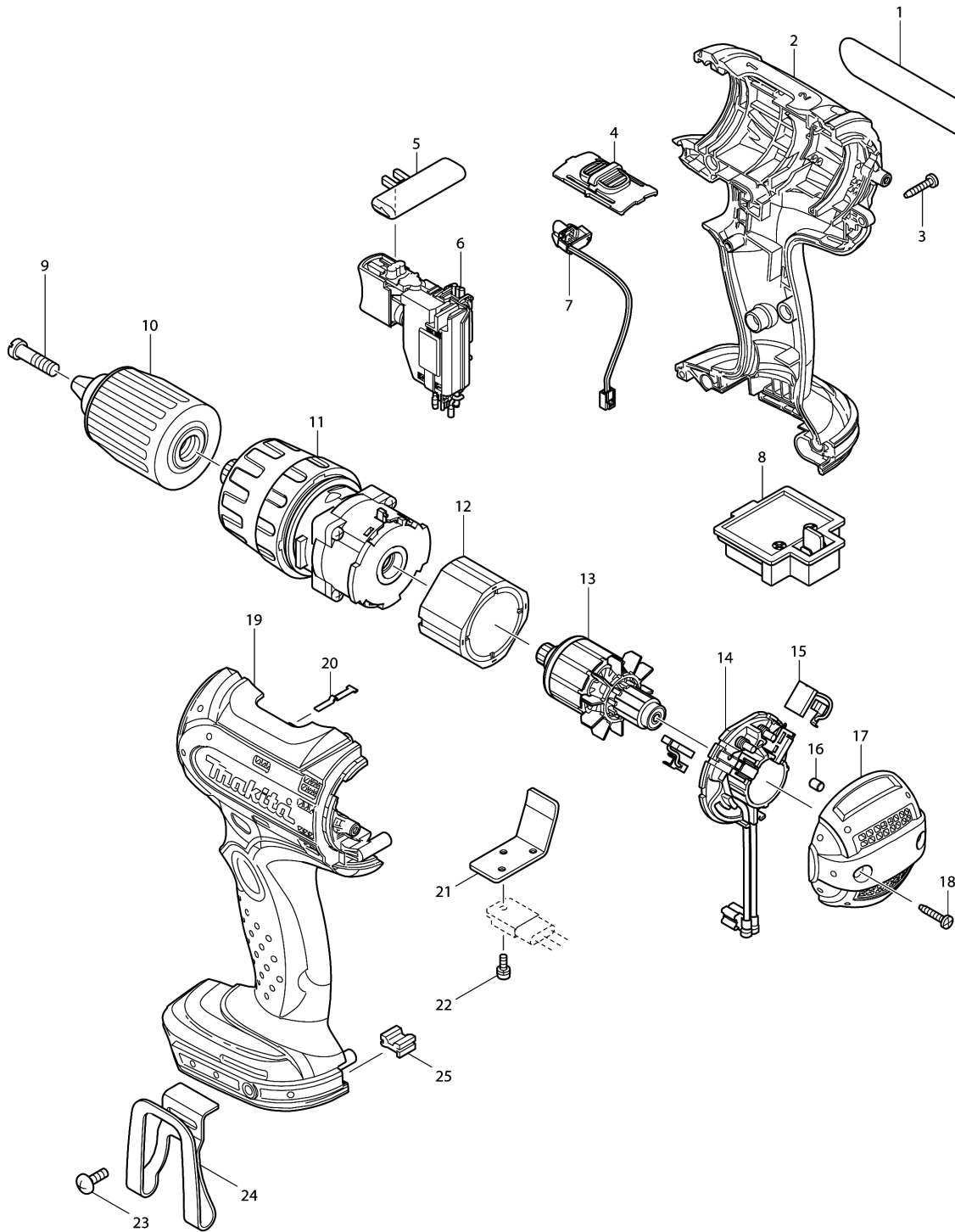


Model No.BHP442 CORDLESS PERCUSSION-DRIVER DRILL



Model No.BHP442 CORDLESS PERCUSSN-DRIVER DRILL

Item	Parts No.	Description	I/C	Qty	New/Old	Opt. 1	Opt. 2	Note
001	864182-0	BHP442 NAME PLATE		1				
002	188454-2	HOUSING SET		1				
C10	263005-3	RUBBER PIN 6		2				
D10		INC. 19						
003	266130-9	TAPPING SCREW BIND PT 3X16		9				
004	125366-8	SPEED CHANGE LEVER ASS'Y		1				
C10	233438-6	COMPRESSION SPRING 4		2				
005	419250-0	F/R CHANGE LEVER		1				
006	650583-6	SWITCH C3HZ-1A-TLM		1				
007	631735-8	LED CIRCUIT		1				
008	643811-6	TERMINAL		1	*			
008-1	643847-5	TERMINAL	O	1				
009	251468-5	- FLAT HEAD SCREW M6X22		1				
010	763175-3	KEYLESS DRILL CHUCK 13		1	*			
010-1	766027-7	KEYLESS DRILL CHUCK 13	O	1				
011	125387-0	GEAR ASS'Y		1				
012	638425-4	YOKE UNIT		1				
013	619196-2	ARMATURE		1				
014	638494-5	BRUSH HOLDER COMPLETE		1				
015	194427-5	CARBON BRUSH CB-440		1	*			
015-1	194427-5	CARBON BRUSH CB-440	X	1				
016	263032-0	RUBBER PIN 4		2				
017	419693-6	REAR COVER		1				
018	266130-9	TAPPING SCREW BIND PT 3X16		2				
019	188454-2	HOUSING SET		1				
C10	263005-3	RUBBER PIN 6		2				
D10		INC. 2						
020	232182-2	LEAF SPRING		1				
021	689150-0	HEAT SINK		1				
022	911006-2	PAN HEAD SCREW M3X8		1				
023	251314-2	+ SCREW M4X12		1				
024	324705-1	HOOK		1	*			
024-1	346317-0	HOOK	O	1				
025	424026-2	CUSHION		1	*			
025-1	424476-1	CUSHION	<	1				
A01	784637-8	+/- BIT 2-45		1				
A02	***DC18RA	DC18RA FAST CHARGER		1	*			
A02-1	***DC18RC	DC18RC FAST CHARGER	<	1				
A03	194065-3	BATTERY BL1430 SET		2	*			
A03-1	194065-3	BATTERY BL1430 SET	O	2	*			
A03-2	194065-3	BATTERY BL1430 SET	O	2	*			

Please order the parts with part number.

Print Date 19/6/2019

Model No.BHP442 CORDLESS PERCUSSN-DRIVER DRILL

Item	Parts No.	Description	I/C	Qty	New/Old	Opt. 1	Opt. 2	Note
A03-3	194065-3	BATTERY BL1430 SET	O	2	*			
A03-4	194065-3	BATTERY BL1430 SET	O	2	*			
A03-5	197616-1	BATTERY BL1430B SET	<	2	*			
A03-6	197616-1	BATTERY BL1430B SET	O	2				
A04	450128-8	BATTERY COVER		1				
A05	824774-7	PLASTIC CARRYING CASE		1	*			
C10	324679-6	SHAFT		1	*			
C20	417724-5	LATCH		2	*			
C30	419216-0	HANDLE		1	*			
A05-1	158597-4	PLASTIC CASE COMPLETE	<	1				
C10	324679-6	SHAFT		1				
C20	417724-5	LATCH		2				
C30	419216-0	HANDLE		1				
A06	806091-7	BHP442RFE PLASTIC CASE LABEL		1				

Please order the parts with part number.

Print Date 19/6/2019