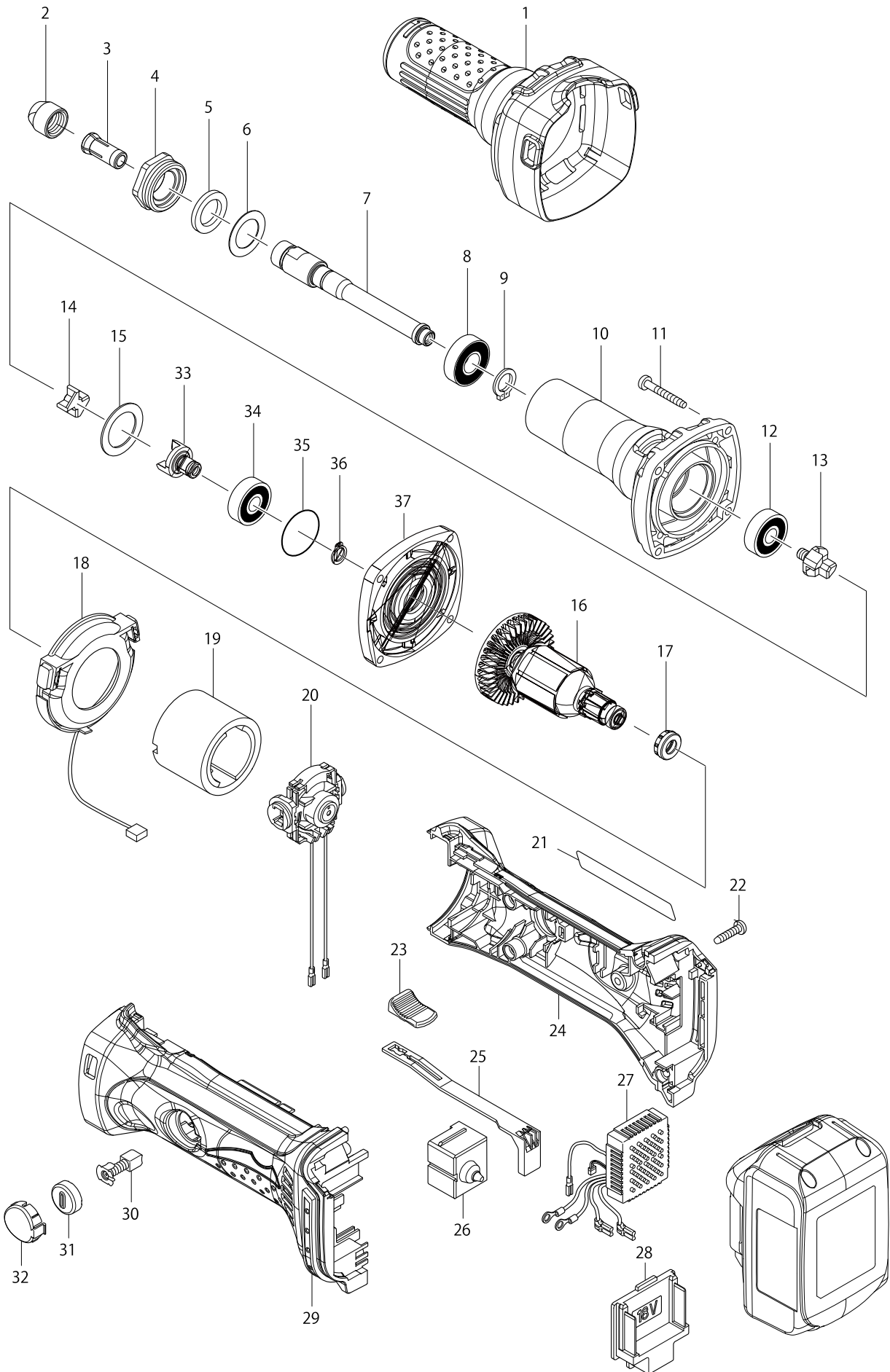


# Model No. BGD800 CORDLESS DIE GRINDER



# Model No. BGD800 CORDLESS DIE GRINDER

Item	Parts No.	Description	I/C	Qty	N/O	Opt. 1	Opt. 2	Note
001	424380-4	INSULATION COVER		1				
002	763668-0	COLLET NUT		1				
003	763670-3	COLLET CONE 6		1				
004	317999-5	BEARING RETAINER		1				
005	443124-3	FELT RING 17		1				
006	267329-9	FLAT WASHER 18		1				
007	326010-2	SPINDLE		1				
008	210106-8	BALL BEARING 6001LLB		1				
009	961052-5	RETAINING RING S-12		1				
010	318000-9	BARREL		1				
011	266361-0	TAPPING SCREW 4X30		4				
012	210042-8	BALL BEARING 629LLB		1				
013	324639-8	COUPLING		1				
014	421942-9	SPACER		1				
015	267126-3	FLAT WASHER 22		1				
016	619284-5	ARMATURE		1				
D10		INC. 17						
017	421977-0	RUBBER RING 13		1				
018	631714-6	LED CIRCUIT		1				
019	638627-2	YOKE UNIT		1				
020A	638448-2	ENDBELL COMPLETE		1	*			
020B	638448-2	ENDBELL COMPLETE		1	*			
020-1A	638921-2	ENDBELL COMPLETE	<	1				
020-1B	638921-2	ENDBELL COMPLETE	<	1				
020-1C	638921-2	ENDBELL COMPLETE		1				
020-1D	638921-2	ENDBELL COMPLETE		1				
021	868960-0	BGD800 NAME PLATE		1				
022	265995-6	TAPPING SCREW 4X18		5				
023	419566-3	SWITCH KNOB		1				
024	188761-3	HOUSING SET		1	*			
D10		INC. 29			*			
024-1	187843-8	HOUSING SET	X	1				
C10	263005-3	RUBBER PIN 6		2				
D10		INC. 29						
025	419519-2	SWITCH LEVER		1				
026	650579-7	SWITCH 1246.3223		1				
027A	631713-8	CONTROLLER		1	*			
027B	631713-8	CONTROLLER		1	*			
027-1A	620072-5	CONTROLLER	O	1	*			
027-1B	620072-5	CONTROLLER	O	1	*			
027-1C	620072-5	CONTROLLER		1	*			
027-1D	620072-5	CONTROLLER		1	*			
027-2	620243-4	CONTROLLER	X	1				
028	643838-6	TERMINAL		1	*			
028-1	644808-8	TERMINAL	X	1				
029	188761-3	HOUSING SET		1	*			
D10		INC. 24			*			
029-1	187843-8	HOUSING SET	X	1				

Item	Parts No.	Description	I/C	Qty	N/O	Opt. 1	Opt. 2	Note
C10	263005-3	RUBBER PIN 6		2				
D10		INC. 24						
030	191971-3	CARBON BRUSH CB-430		1				
031	643929-3	BRUSH HOLDER CAP		2				
032	419518-4	HOLDER CAP COVER		2				
033	326009-7	COUPLING		1				
034	210042-8	BALL BEARING 629LLB		1				
035	213445-5	O-RING 26		1				
036	961005-4	RETAINING RING S-9		1				
037	317821-6	GEAR HOUSING COVER		1				
A01	781039-9	WRENCH 13		2				
A02B	450128-8	BATTERY COVER		1				
A02C	450128-8	BATTERY COVER		2				
A03B	***DC18RA	DC18RA FAST CHARGER		1	*			
A03-1B	***DC18RC	DC18RC FAST CHARGER	<	1				
A03-1C	***DC18RC	DC18RC FAST CHARGER		1				
A04B	194204-5	BATTERY BL1830 SET		2	*			
A04C	194204-5	BATTERY BL1830 SET		2	*			
A04-1B	194204-5	BATTERY BL1830 SET	O	2				
A04-1C	194204-5	BATTERY BL1830 SET	O	2				
A05B	824975-7	PLASTIC CARRYING CASE		1	*			
C10	162315-4	LATCH		2	*			
A05C	821550-0	CONNECTOR PLASTIC CASE (TYPE2)		1				
C10	453974-8	LATCH		4				
A05D	821550-0	CONNECTOR PLASTIC CASE (TYPE2)		1				
C10	453974-8	LATCH		4				
A05-1B	141482-8	PLASTIC CASE COMPLETE	<	1				
C10	162315-4	LATCH		2				
A06B	892163-4	BGD800RFE PLASTIC CASE LABEL		2				
A06C	837806-1	INNER TRAY		1				
A06D	837806-1	INNER TRAY		1				
A07C	801A09-9	BGD800RFJ INDICATION LABEL		1				
A07D	801A11-2	BGD800ZJ INDICATION LABEL		1				
A08C	801A10-4	BGD800RFJ PLASTIC CASE LABEL		2				
A08D	801A12-0	BGD800ZJ PLASTIC CASE LABEL		2				