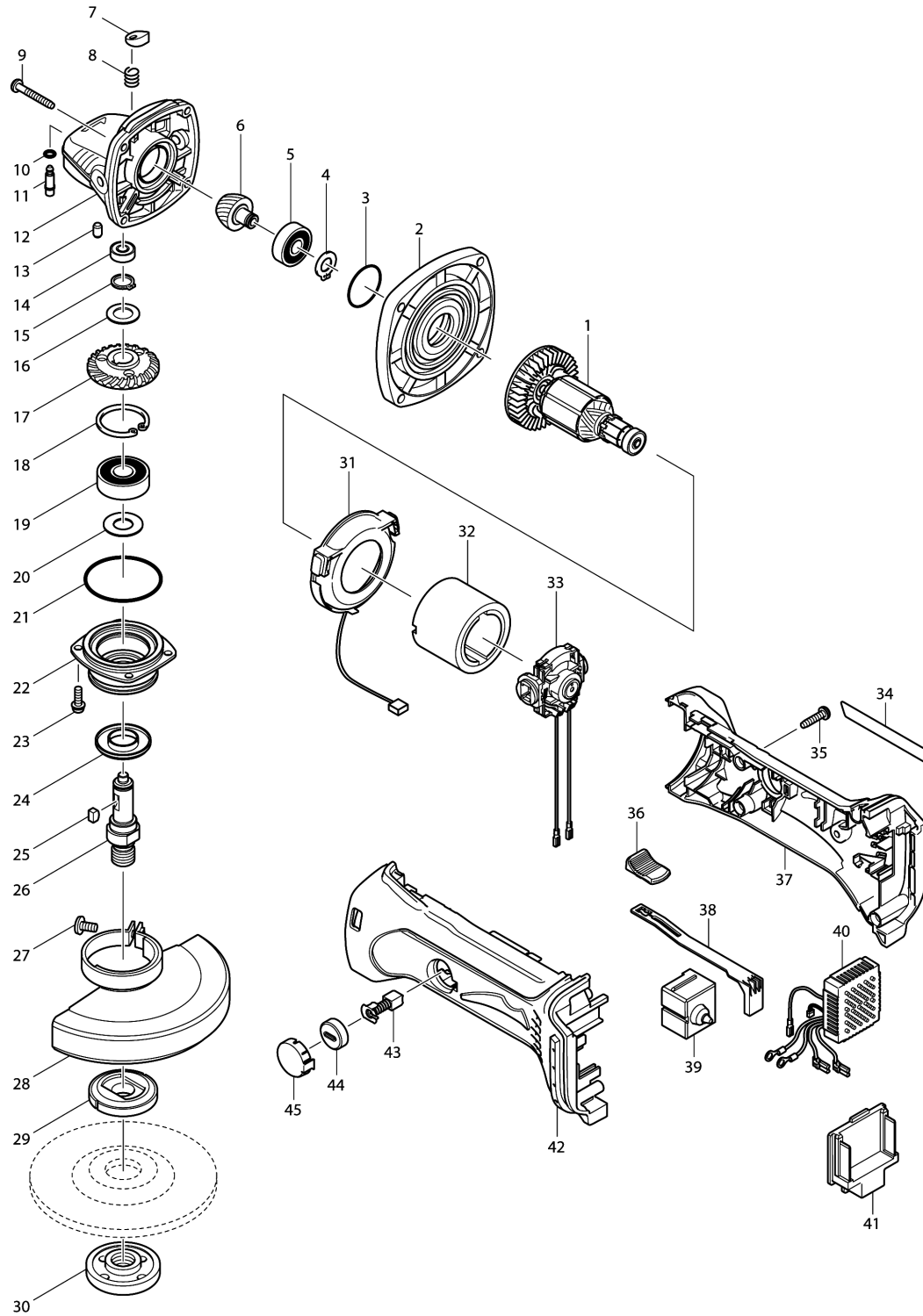


Model No.BGA452 CORDLESS GRINDER 115MM



Model No.BGA452 CORDLESS GRINDER 115MM

Item	Parts No.	Description	I/C	Qty	New/Old	Opt. 1	Opt. 2	Note
001A	519184-8	ARMATURE ASS'Y 18V		1	*			
001B	519184-8	ARMATURE ASS'Y 18V		1	*			
001C	519184-8	ARMATURE ASS'Y 18V		1	*			
001-1A	510091-8	ARMATURE ASS'Y 18V	<	1	*			
C10	421977-0	RUBBER RING 13		1	*			
001-1B	510091-8	ARMATURE ASS'Y 18V	<	1	*			
C10	421977-0	RUBBER RING 13		1	*			
001-1C	510091-8	ARMATURE ASS'Y 18V	<	1	*			
C10	421977-0	RUBBER RING 13		1	*			
001-2A	619218-8	ARMATURE	O	1				
C10	421977-0	RUBBER RING 13		1				
001-2B	619218-8	ARMATURE	O	1				
C10	421977-0	RUBBER RING 13		1				
001-2C	619218-8	ARMATURE	O	1				
C10	421977-0	RUBBER RING 13		1				
001-2D	619218-8	ARMATURE		1				
C10	421977-0	RUBBER RING 13		1				
001-2E	619218-8	ARMATURE		1				
C10	421977-0	RUBBER RING 13		1				
002	317821-6	GEAR HOUSING COVER		1				
003	213445-5	O-RING 26		1				
004	961005-4	RETAINING RING S-9		1				
005A	210053-3	BALL BEARING 629LLB		1	*			
005B	210053-3	BALL BEARING 629LLB		1	*			
005C	210053-3	BALL BEARING 629LLB		1	*			
005-1A	210042-8	BALL BEARING 629LLB	O	1				
005-1B	210042-8	BALL BEARING 629LLB	O	1				
005-1C	210042-8	BALL BEARING 629LLB	O	1				
005-1D	210042-8	BALL BEARING 629LLB		1				
005-1E	210042-8	BALL BEARING 629LLB		1				
006	227501-5	SPIRAL BEVEL GEAR 19		1				
007	417771-6	PIN CAP		1				
008	233072-2	COMPRESSION SPRING 8		1				
009A	266050-7	TAPPING SCREW 4X30		4	*			
009B	266050-7	TAPPING SCREW 4X30		4	*			
009C	266050-7	TAPPING SCREW 4X30		4	*			
009-1A	266361-0	TAPPING SCREW 4X30	O	4				
009-1B	266361-0	TAPPING SCREW 4X30	O	4				
009-1C	266361-0	TAPPING SCREW 4X30	O	4				
009-1D	266361-0	TAPPING SCREW 4X30		4				
009-1E	266361-0	TAPPING SCREW 4X30		4				
010	213960-9	O RING 5		1				

Please order the parts with part number.

Print Date 19/6/2019

Model No.BGA452 CORDLESS GRINDER 115MM

Item	Parts No.	Description	I/C	Qty	New/Old	Opt. 1	Opt. 2	Note
011	256496-5	SHOULDER PIN 4		1				
012	318051-2	GEAR HOUSING		1				
013	263002-9	RUBBER PIN 4		1				
014	210033-9	BALL BEARING 696ZZ		1				
015	961052-5	RETAINING RING S-12		1				
016	253744-3	FLAT WASHER 12		1				
017	227502-3	SPIRAL BEVEL GEAR 39		1				
018	962151-6	RETAINING RING R-32		1				
019A	211149-3	BALL BEARING 6201DDW		1	*			
019B	211149-3	BALL BEARING 6201DDW		1	*			
019C	211149-3	BALL BEARING 6201DDW		1	*			
019-1A	211129-9	BALL BEARING 6201DDW	<	1				
019-1B	211129-9	BALL BEARING 6201DDW	<	1				
019-1C	211129-9	BALL BEARING 6201DDW	<	1				
019-1D	211129-9	BALL BEARING 6201DDW		1				
019-1E	211129-9	BALL BEARING 6201DDW		1				
020	267238-2	FLAT WASHER 12		1				
021	213622-9	O RING 45		1				
022A	317819-3	BEARING BOX		1	*			
022B	317819-3	BEARING BOX		1	*			
022C	317819-3	BEARING BOX		1	*			
022-1A	318331-6	BEARING BOX	S	1				
022-1B	318331-6	BEARING BOX	S	1				
022-1C	318331-6	BEARING BOX	S	1				
022-1D	318331-6	BEARING BOX		1				
022-1E	318331-6	BEARING BOX		1				
023	911121-2	PAN HEAD SCREW M4X14		4				
024	345464-4	LABYRINTH RING		1				
025	254011-9	WOODRUFF KEY 4		1				
026A	324489-1	SPINDLE		1	*			
026B	324489-1	SPINDLE		1	*			
026C	324489-1	SPINDLE		1	*			
026-1A	324489-1	SPINDLE	O	1				
026-1B	324489-1	SPINDLE	O	1				
026-1C	324489-1	SPINDLE	O	1				
026-1D	324489-1	SPINDLE		1				
026-1E	324489-1	SPINDLE		1				
027A	265103-9	PAN HEAD SCREW M5X14		1	*			
027B	265103-9	PAN HEAD SCREW M5X14		1	*			
027C	265103-9	PAN HEAD SCREW M5X14		1	*			
027-1A	265180-1	PAN HEAD SCREW M5X16	<	1				
027-1B	265180-1	PAN HEAD SCREW M5X16	<	1				

Please order the parts with part number.

Print Date 19/6/2019

Model No.BGA452 CORDLESS GRINDER 115MM

Item	Parts No.	Description	I/C	Qty	New/Old	Opt. 1	Opt. 2	Note
027-1C	265180-1	PAN HEAD SCREW M5X16	<	1				
027-1D	265180-1	PAN HEAD SCREW M5X16		1				
027-1E	265180-1	PAN HEAD SCREW M5X16		1				
028A	125267-0	WHEEL COVER ASS'Y		1	*			
D10		INC. 27			*			
028B	125267-0	WHEEL COVER ASS'Y		1	*			
D10		INC. 27			*			
028C	125267-0	WHEEL COVER ASS'Y		1	*			
D10		INC. 27			*			
028-1A	122886-3	WHEEL COVER 115K ASSEMBLY	S	1	*			
C10	213009-5	O RING 4		1	*			
D10		INC. 27			*			
028-1B	122886-3	WHEEL COVER 115K ASSEMBLY	S	1	*			
C10	213009-5	O RING 4		1	*			
D10		INC. 27			*			
028-1C	122886-3	WHEEL COVER 115K ASSEMBLY	S	1	*			
C10	213009-5	O RING 4		1	*			
D10		INC. 27			*			
028-1D	122886-3	WHEEL COVER 115K ASSEMBLY		1	*			
C10	213009-5	O RING 4		1	*			
D10		INC. 27			*			
028-1E	122886-3	WHEEL COVER 115K ASSEMBLY		1	*			
C10	213009-5	O RING 4		1	*			
D10		INC. 27			*			
028-2	123098-1	WHEEL COVER 115AK ASS'Y	<	1				
C10	213009-5	O RING 4		1				
D10		INC. 27						
029A	224298-7	INNER FLANGE 42		1	*			
029B	224298-7	INNER FLANGE 42		1	*			
029C	224298-7	INNER FLANGE 42		1	*			
029-1A	224415-9	INNER FLANGE 42	<	1	*			
029-1B	224415-9	INNER FLANGE 42	<	1	*			
029-1C	224415-9	INNER FLANGE 42	<	1	*			
029-1D	224415-9	INNER FLANGE 42		1	*			
029-1E	224415-9	INNER FLANGE 42		1	*			
029-2	224490-5	INNER FLANGE 14-45	O	1				
030	224554-5	LOCK NUT 14-45		1				
031	631714-6	LED CIRCUIT		1				
032	638376-1	YOKE UNIT		1	*			
032-1	638627-2	YOKE UNIT	O	1				

Please order the parts with part number.

Print Date 19/6/2019

Model No.BGA452 CORDLESS GRINDER 115MM

Item	Parts No.	Description	I/C	Qty	New/Old	Opt. 1	Opt. 2	Note
033A	638448-2	ENDBELL COMPLETE		1	*			
033B	638448-2	ENDBELL COMPLETE		1	*			
033C	638448-2	ENDBELL COMPLETE		1	*			
033-1A	638921-2	ENDBELL COMPLETE	<	1				
033-1B	638921-2	ENDBELL COMPLETE	<	1				
033-1C	638921-2	ENDBELL COMPLETE	<	1				
033-1D	638921-2	ENDBELL COMPLETE		1				
033-1E	638921-2	ENDBELL COMPLETE		1				
034A	862497-9	BGA452 NAME PLATE		1	*			
034B	862497-9	BGA452 NAME PLATE		1	*			
034C	862497-9	BGA452 NAME PLATE		1	*			
034-1A	862598-3	BGA452 NAME PLATE	<	1				
034-1B	862598-3	BGA452 NAME PLATE	<	1				
034-1C	862598-3	BGA452 NAME PLATE	<	1				
034-1D	862598-3	BGA452 NAME PLATE		1				
034-1E	862598-3	BGA452 NAME PLATE		1				
035A	265995-6	TAPPING SCREW 4X18		5	*			
035B	265995-6	TAPPING SCREW 4X18		5	*			
035C	265995-6	TAPPING SCREW 4X18		5	*			
035-1A	266326-2	TAPPING SCREW 4X18	O	5				
035-1B	266326-2	TAPPING SCREW 4X18	O	5				
035-1C	266326-2	TAPPING SCREW 4X18	O	5				
035-1D	266326-2	TAPPING SCREW 4X18		5				
035-1E	266326-2	TAPPING SCREW 4X18		5				
036	419566-3	SWITCH KNOB		1				
037A	188106-5	HOUSING SET		1	*			
D10		INC. 42			*			
037B	188106-5	HOUSING SET		1	*			
D10		INC. 42			*			
037C	188106-5	HOUSING SET		1	*			
D10		INC. 42			*			
037-1A	188704-5	HOUSING SET	<	1	*			
D10		INC. 42			*			
037-1B	188704-5	HOUSING SET	<	1	*			
D10		INC. 42			*			
037-1C	188704-5	HOUSING SET	<	1	*			
D10		INC. 42			*			
037-2A	188761-3	HOUSING SET	<	1	*			
D10		INC. 42			*			
037-2B	188761-3	HOUSING SET	<	1	*			
D10		INC. 42			*			
037-2C	188761-3	HOUSING SET	<	1	*			

Please order the parts with part number.

Print Date 19/6/2019

Model No.BGA452 CORDLESS GRINDER 115MM

Item	Parts No.	Description	I/C	Qty	New/Old	Opt. 1	Opt. 2	Note
D10		INC. 42			*			
037-2D	188761-3	HOUSING SET		1	*			
D10		INC. 42			*			
037-2E	188761-3	HOUSING SET		1	*			
D10		INC. 42			*			
037-3	187843-8	HOUSING SET	X	1				
C10	263005-3	RUBBER PIN 6		2				
D10		INC. 42						
038	419519-2	SWITCH LEVER		1				
039	650579-7	SWITCH 1246.3223		1				
040A	631713-8	CONTROLLER		1	*			
040B	631713-8	CONTROLLER		1	*			
040C	631713-8	CONTROLLER		1	*			
040-1A	620072-5	CONTROLLER	O	1	*			
040-1B	620072-5	CONTROLLER	O	1	*			
040-1C	620072-5	CONTROLLER	O	1	*			
040-1D	620072-5	CONTROLLER		1	*			
040-1E	620072-5	CONTROLLER		1	*			
040-2	620243-4	CONTROLLER	X	1				
041A	643812-4	TERMINAL		1	*			
041B	643812-4	TERMINAL		1	*			
041C	643812-4	TERMINAL		1	*			
041-1A	643838-6	TERMINAL	O	1	*			
041-1B	643838-6	TERMINAL	O	1	*			
041-1C	643838-6	TERMINAL	O	1	*			
041-1D	643838-6	TERMINAL		1	*			
041-1E	643838-6	TERMINAL		1	*			
041-2	644808-8	TERMINAL	X	1				
042A	188106-5	HOUSING SET		1	*			
D10		INC. 37			*			
042B	188106-5	HOUSING SET		1	*			
D10		INC. 37			*			
042C	188106-5	HOUSING SET		1	*			
D10		INC. 37			*			
042-1A	188704-5	HOUSING SET	<	1	*			
D10		INC. 37			*			
042-1B	188704-5	HOUSING SET	<	1	*			
D10		INC. 37			*			
042-1C	188704-5	HOUSING SET	<	1	*			
D10		INC. 37			*			
042-2A	188761-3	HOUSING SET	<	1	*			
D10		INC. 37			*			

Please order the parts with part number.

Print Date 19/6/2019

Model No.BGA452 CORDLESS GRINDER 115MM

Item	Parts No.	Description	I/C	Qty	New/Old	Opt. 1	Opt. 2	Note
042-2B	188761-3	HOUSING SET	<	1	*			
D10		INC. 37			*			
042-2C	188761-3	HOUSING SET	<	1	*			
D10		INC. 37			*			
042-2D	188761-3	HOUSING SET		1	*			
D10		INC. 37			*			
042-2E	188761-3	HOUSING SET		1	*			
D10		INC. 37			*			
042-3	187843-8	HOUSING SET	X	1				
C10	263005-3	RUBBER PIN 6		2				
D10		INC. 37						
043	191971-3	CARBON BRUSH CB-430		1				
044	643954-4	BRUSH HOLDER CAP		2				
045	419518-4	HOLDER CAP COVER		2				
A01	153489-2	GRIP 36 COMPLETE		1				
A02A	782421-5	LOCK NUT WRENCH 35		1	*			
A02B	782421-5	LOCK NUT WRENCH 35		1	*			
A02C	782421-5	LOCK NUT WRENCH 35		1	*			
A02-1A	782423-1	LOCK NUT WRENCH 35	<	1				
A02-1B	782423-1	LOCK NUT WRENCH 35	<	1				
A02-1C	782423-1	LOCK NUT WRENCH 35	<	1				
A02-1D	782423-1	LOCK NUT WRENCH 35		1				
A02-1E	782423-1	LOCK NUT WRENCH 35		1				
A03A	***DC18SC	DC18SC CHARGER		1				
A03B	***DC18RA	DC18RA FAST CHARGER		1	*			
A03-1B	***DC18RC	DC18RC FAST CHARGER	<	1				
A03-1D	***DC18RC	DC18RC FAST CHARGER		1				
A04A	194204-5	BATTERY BL1830 SET		2	*			
A04B	194204-5	BATTERY BL1830 SET		2	*			
A04-1A	194204-5	BATTERY BL1830 SET	O	2	*			
A04-1B	194204-5	BATTERY BL1830 SET	O	2	*			
A04-2A	194204-5	BATTERY BL1830 SET	O	2	*			
A04-2B	194204-5	BATTERY BL1830 SET	O	2	*			
A04-3A	194204-5	BATTERY BL1830 SET	O	2	*			
A04-3B	194204-5	BATTERY BL1830 SET	O	2	*			
A04-4A	194204-5	BATTERY BL1830 SET	O	2	*			
A04-4B	194204-5	BATTERY BL1830 SET	O	2	*			
A04-5A	194204-5	BATTERY BL1830 SET	O	2	*			
A04-5B	194204-5	BATTERY BL1830 SET	O	2	*			
A04-5D	194204-5	BATTERY BL1830 SET		2	*			
A04-6A	194204-5	BATTERY BL1830 SET	O	2	*			
A04-6B	194204-5	BATTERY BL1830 SET	O	2	*			

Please order the parts with part number.

Print Date 19/6/2019

Model No.BGA452 CORDLESS GRINDER 115MM

Item	Parts No.	Description	I/C	Qty	New/Old	Opt. 1	Opt. 2	Note
A04-6D	194204-5	BATTERY BL1830 SET	O	2	*			
A04-7A	197600-6	BATTERY BL1830B SET	<	2	*			
A04-7B	197600-6	BATTERY BL1830B SET	<	2	*			
A04-7D	197600-6	BATTERY BL1830B SET	<	2	*			
A04-8A	197600-6	BATTERY BL1830B SET	O	2				
A04-8B	197600-6	BATTERY BL1830B SET	O	2				
A04-8D	197600-6	BATTERY BL1830B SET	O	2				
A05A	824767-4	PLASTIC CARRYING CASE		1				
C10	163455-1	LATCH		2				
A05B	824767-4	PLASTIC CARRYING CASE		1	*			
C10	163455-1	LATCH		2	*			
A05D	821550-0	CONNECTOR PLASTIC CASE (TYPE2)		1	*			
C10	453974-8	LATCH		4	*			
A05E	821550-0	CONNECTOR PLASTIC CASE (TYPE2)		1	*			
C10	453974-8	LATCH		4	*			
A05-1B	141257-5	PLASTIC CARRYING CASE	<	1				
C10	163455-1	LATCH		2				
A05-1D	821550-0	CONNECTOR PLASTIC CASE (TYPE2)	<	1				
C10	453974-8	LATCH		4				
A05-1E	821550-0	CONNECTOR PLASTIC CASE (TYPE2)	<	1				
C10	453974-8	LATCH		4				
A06D	837632-8	INNER TRAY		1				
A06E	837632-8	INNER TRAY		1				
A08A	450128-8	BATTERY COVER		1				
A08B	450128-8	BATTERY COVER		1				
A08D	450128-8	BATTERY COVER		1				
A09D	801A05-7	BGA452RFJ INDICATION LABEL		1				
A09E	801A07-3	BGA452ZJ INDICATION LABEL		1				
A10D	801A06-5	BGA452RFJ PLASTIC CASE LABEL		2				
A10E	801A08-1	BGA452ZJ PLASTIC CASE LABEL		2				
E02	805459-4	SAFETY INSTRUCTION LABEL		1				

Please order the parts with part number.

Print Date 19/6/2019