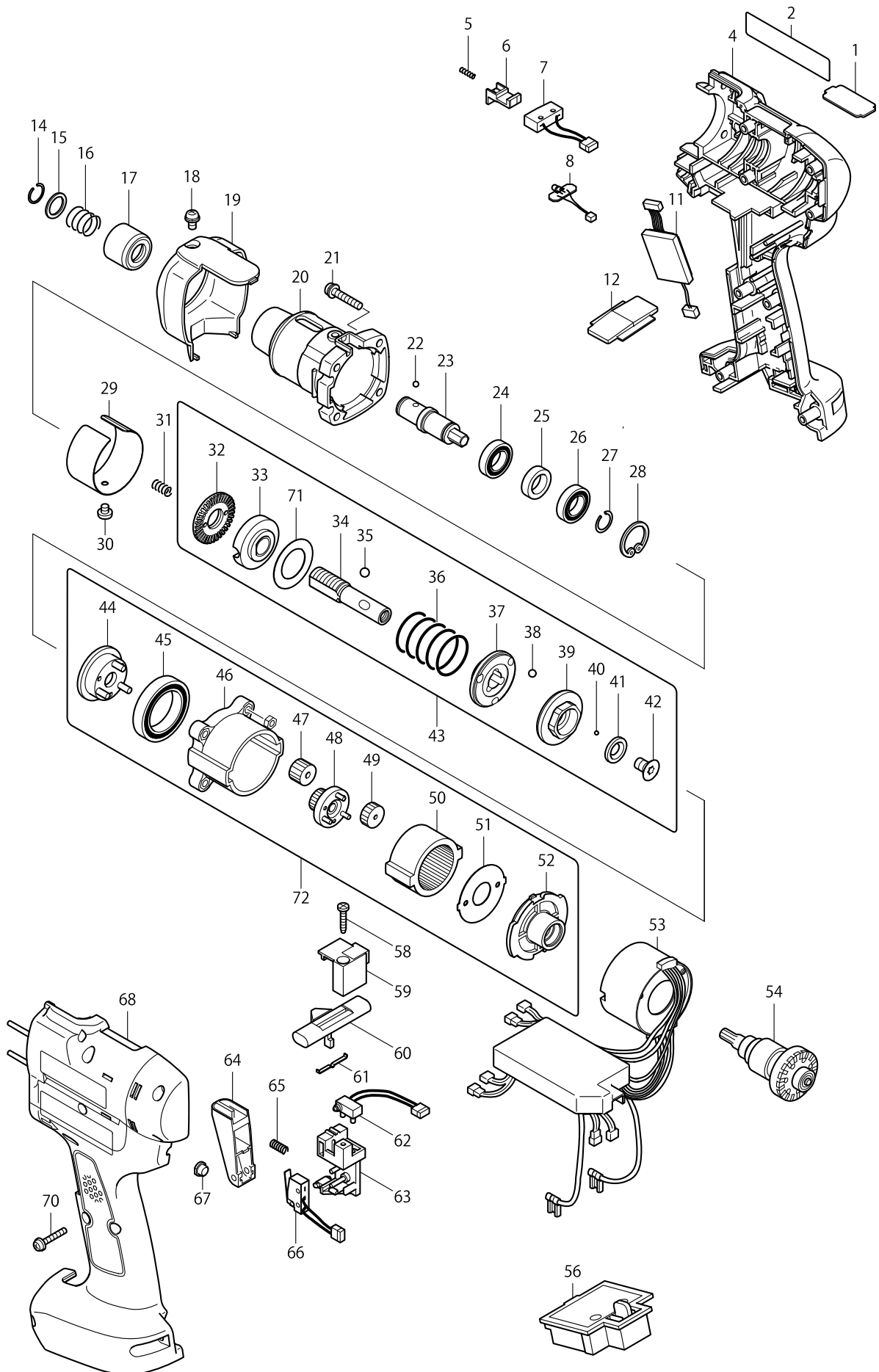


Model No. BFT124F CORDLESS SCREWDRIVER



Model No. BFT124F CORDLESS SCREWDRIVER

Item	Parts No.	Description	I/C	Qty	N/O	Opt. 1	Opt. 2	Note
001	345345-2	PLATE I		1				
002	868203-0	BFT124F NAME PLATE		1				
004	188889-7	HOUSING SET		1	*			
D10		INC. 68			*			
004-1	187858-5	HOUSING SET	S	1				
D10		INC. 68						
005	233025-1	COMPRESSION SPRING 2		1				
006	418002-6	SWITCH LEVER		1				
007	638274-9	SWITCH UNIT		1				
008	631513-6	LED CIRCUIT		1				
011	631756-0	POWER SUPPLY UNIT		1				
012	452189-4	COVER		1				
014	231965-7	RING SPRING 10		1				
015	267143-3	FLAT WASHER 11		1				
016	233005-7	COMPRESSION SPRING 13		1				
017	162218-2	SLEEVE		1				
018	265171-2	PAN HEAD SCREW M4X8		1				
019	418289-0	CLUTCH CASE COVER		1				
020	317694-7	CLUTCH CASE		1				
021	265145-3	+ PAN HEAD SCREW M4X22		4				
022	216019-1	STEEL BALL 3		2				
023	324377-2	SPINDLE M		1				
024	211136-2	BALL BEARING 6801LLB		1				
025	257011-8	RING 12		1				
026	211136-2	BALL BEARING 6801LLB		1				
027	231951-8	RING SPRING 11		1				
028	962111-8	RETAINING RING R-21		1				
029	345351-7	RING 38I		1				
030	265127-5	+ PAN HEAD SCREW M4X4		1				
031	233019-6	COMPRESSION SPRING 5		1				
032	324834-0	LOCK NUT M12		1				
033	158408-3	ADJUST RING COMPLETE		1				
034	324296-2	SPINDLE		1				
035	216018-3	STEEL BALL 5.0		3				
036	233358-4	COMPRESSION SPRING 19C		1				
037	223146-7	CAM D		1				
038	216024-8	STEEL BALL 4		3				
039	223139-4	CAM A		1				
040	216019-1	STEEL BALL 3		13				
041	267247-1	FLAT WASHER 7		1				
042	266305-0	TORX C.S HEAD SCREW M5X10		1				
043	125394-3	CLUTCH ASS'Y G		1				
D10		INC. 32-42,71						
044	153444-4	CARRIER COMPLETE B		1				
045	211375-4	BALL BEARING 6805LLB		1				
046	418004-2	GEAR CASE		1				
047	227052-8	SPUR GEAR 18		3				
048	153447-8	SPUR GEAR 9 COMPLETE A		1				

Model No. BFT124F CORDLESS SCREWDRIVER

Item	Parts No.	Description	I/C	Qty	N/O	Opt. 1	Opt. 2	Note
049	227049-7	SPUR GEAR 18		3				
050	227048-9	INTERNAL GEAR 47		1				
051	267774-8	LOCK WASHER		1				
052	418003-4	MOTOR BRACKET		1				
053	631987-1	MOTOR CONTROL UNIT		1				
054	619208-1	ROTOR		1				
056	643811-6	TERMINAL		1	*			
056-1	643828-9	TERMINAL	S	1				
058	266130-9	TAPPING SCREW BIND PT 3X16		1				
059	418204-4	COVER		1				
060	418201-0	F/R CHANGE LEVER		1				
061	232201-4	LEAF SPRING		1				
062	638276-5	SWITCH UNIT		1				
063	418202-8	SWITCH BASE		1				
064	418203-6	SWITCH LEVER A		1				
065	231397-8	COMPRESSION SPRING 4		1				
066	638275-7	SWITCH UNIT		1				
067	419829-7	LENS		1				
068	188889-7	HOUSING SET		1	*			
D10		INC. 4			*			
068-1	187858-5	HOUSING SET	S	1				
D10		INC. 4						
070	265095-2	PAN HEAD SCREW M3X20		8				
071	267276-4	FLAT WASHER 18		1				
072	125190-9	GEAR ASSEMBLY B		1				
D10		INC. 44-52						