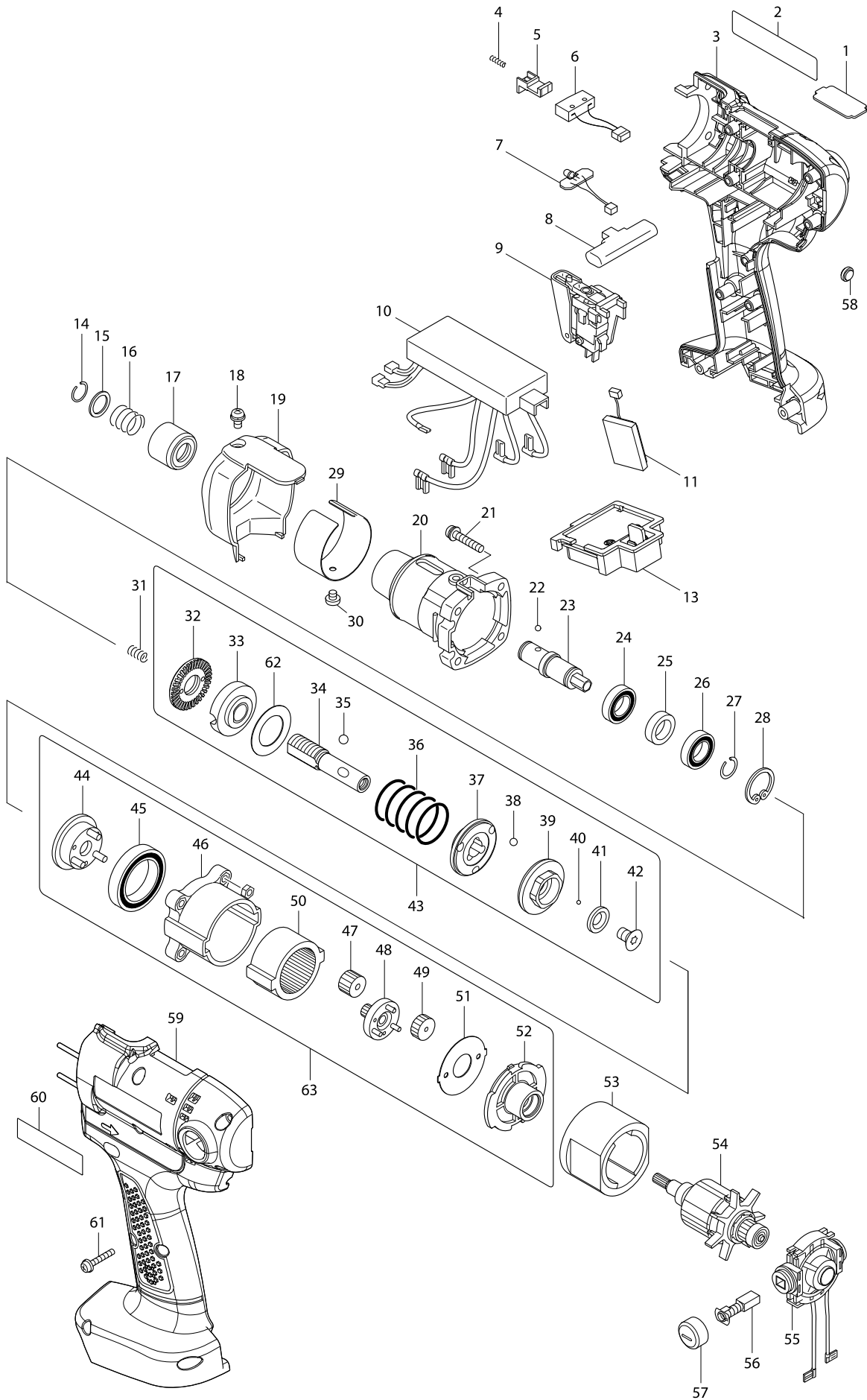


# Model No. BFT044F CORDLESS SCREWDRIVER



# Model No. BFT044F CORDLESS SCREWDRIVER

Item	Parts No.	Description	I/C	Qty	N/O	Opt. 1	Opt. 2	Note
001	345343-6	PLATE G		1				
002	897686-7	BFT044F NAME PLATE		1				
003	187486-6	HOUSING SET		1				
D10		INC. 59,60						
004	233025-1	COMPRESSION SPRING 2		1				
005	418002-6	SWITCH LEVER		1				
006	638274-9	SWITCH UNIT		1				
007	631513-6	LED CIRCUIT		1				
008	417511-2	F/R CHANGE LEVER		1				
009	650536-5	SWITCH C3Z-5-01		1				
010	632A42-8	CONTROLLER UNIT		1				
C10	688161-2	LINE FILTER		1				
011	631514-4	BUZZER CIRCUIT		1				
013	643828-9	TERMINAL		1				
014	231965-7	RING SPRING 10		1				
015	267143-3	FLAT WASHER 11		1				
016	233005-7	COMPRESSION SPRING 13		1				
017	162218-2	SLEEVE		1				
018	265171-2	PAN HEAD SCREW M4X8		1				
019	418289-0	CLUTCH CASE COVER		1				
020	317694-7	CLUTCH CASE		1				
021	265145-3	+ PAN HEAD SCREW M4X22		4				
022	216019-1	STEEL BALL 3		2				
023	324377-2	SPINDLE M		1				
024	211136-2	BALL BEARING 6801LLB		1				
025	257011-8	RING 12		1				
026	211136-2	BALL BEARING 6801LLB		1				
027	231951-8	RING SPRING 11		1				
028	962111-8	RETAINING RING R-21		1				
029	345349-4	RING 38G		1				
030	265127-5	+ PAN HEAD SCREW M4X4		1				
031	233019-6	COMPRESSION SPRING 5		1				
032	324834-0	LOCK NUT M12		1				
033	158408-3	ADJUST RING COMPLETE		1				
034	324296-2	SPINDLE		1				
035	216018-3	STEEL BALL 5.0		3				
036	233385-1	COMPRESSION SPRING 19D		1				
037	223146-7	CAM D		1				
038	216024-8	STEEL BALL 4		3				
039	223143-3	CAM C		1				
040	216019-1	STEEL BALL 3		13				
041	267247-1	FLAT WASHER 7		1				
042	266305-0	TORX C.S HEAD SCREW M5X10		1				
043	125391-9	CLUTCH ASS'Y D		1				
D10		INC. 32-42,62						
044	153443-6	CARRIER COMPLETE A		1				
045	211375-4	BALL BEARING 6805LLB		1				
046	418004-2	GEAR CASE		1				

