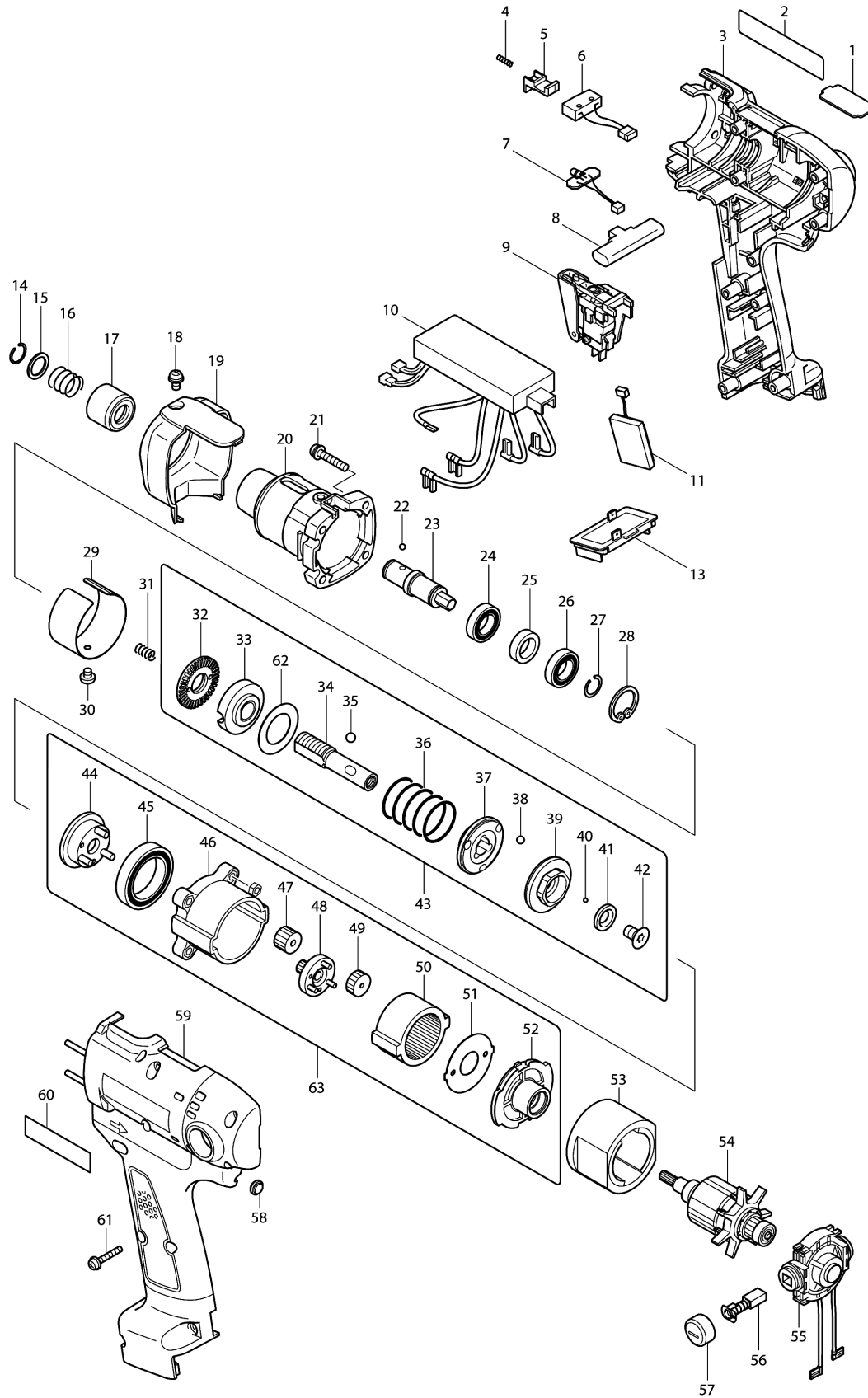


Model No.BFT021F CORDLESS SCREWDRIVER



Model No.BFT021F CORDLESS SCREWDRIVER

| Item | Parts No. | Description | I/C | Qty | New/Old | Opt. 1 | Opt. 2 | Note |
|-------|-----------|------------------------|-----|-----|---------|--------|--------|------|
| 001 | 345647-6 | PLATE L | | 1 | | | | |
| 002 | 862776-5 | NAME PLATE BFT021F | | 1 | | | | |
| 003 | 183629-8 | HOUSING SET | | 1 | | | | |
| D10 | | INC. 59,60 | | | | | | |
| 004 | 233025-1 | COMPRESSION SPRING 2 | | 1 | | | | |
| 005 | 418002-6 | SWITCH LEVER | | 1 | | | | |
| 006 | 638274-9 | SWITCH UNIT | | 1 | | | | |
| 007 | 631513-6 | LED CIRCUIT | | 1 | | | | |
| 008 | 417511-2 | F/R CHANGE LEVER | | 1 | | | | |
| 009 | 650536-5 | SWITCH C3Z-5-01 | | 1 | | | | |
| 010 | 631560-7 | CONTROLLER | | 1 | * | | | |
| 010-1 | 638900-0 | CONTROLLER UNIT | < | 1 | * | | | |
| 010-2 | 632M37-3 | CONTROLLER UNIT | < | 1 | | | | |
| 011 | 631514-4 | BUZZER CIRCUIT | | 1 | | | | |
| 013 | 643800-1 | TERMINAL | | 1 | | | | |
| 014 | 231965-7 | RING SPRING 10 | | 1 | | | | |
| 015 | 267143-3 | FLAT WASHER 11 | | 1 | | | | |
| 016 | 233005-7 | COMPRESSION SPRING 13 | | 1 | | | | |
| 017 | 162218-2 | SLEEVE | | 1 | | | | |
| 018-1 | 265171-2 | PAN HEAD SCREW M4X8 | | 1 | | | | |
| 019 | 418289-0 | CLUTCH CASE COVER | | 1 | | | | |
| 020 | 317694-7 | CLUTCH CASE | | 1 | | | | |
| 021 | 265145-3 | + PAN HEAD SCREW M4X22 | | 4 | | | | |
| 022 | 216019-1 | STEEL BALL 3 | | 2 | | | | |
| 023 | 324377-2 | SPINDLE M | | 1 | | | | |
| 024 | 211136-2 | BALL BEARING 6801LLB | | 1 | | | | |
| 025 | 257011-8 | RING 12 | | 1 | | | | |
| 026 | 211136-2 | BALL BEARING 6801LLB | | 1 | | | | |
| 027 | 231951-8 | RING SPRING 11 | | 1 | | | | |
| 028 | 962111-8 | RETAINING RING R-21 | | 1 | | | | |
| 029 | 345648-4 | RING 38M | | 1 | | | | |
| 030 | 265127-5 | + PAN HEAD SCREW M4X4 | | 1 | | | | |
| 031 | 233019-6 | COMPRESSION SPRING 5 | | 1 | | | | |
| 032 | 324281-5 | LOCK NUT M12 | | 1 | * | | | |
| 032-1 | 324834-0 | LOCK NUT M12 | S | 1 | | | | |
| 033 | 153442-8 | ADJUST RING COMPLETE | | 1 | * | | | |
| 033-1 | 158408-3 | ADJUST RING COMPLETE | S | 1 | | | | |
| 034 | 324296-2 | SPINDLE | | 1 | | | | |
| 035 | 216018-3 | STEEL BALL 5.0 | | 3 | | | | |
| 036 | 233447-5 | COMPRESSION SPRING 19 | | 1 | | | | |
| 037 | 223146-7 | CAM D | | 1 | | | | |
| 038 | 216024-8 | STEEL BALL 4 | | 3 | | | | |

Please order the parts with part number.

Print Date 19/6/2019

Model No.BFT021F CORDLESS SCREWDRIVER

| Item | Parts No. | Description | I/C | Qty | New/Old | Opt. 1 | Opt. 2 | Note |
|-------|-----------|------------------------------|-----|-----|---------|--------|--------|------|
| 039 | 223143-3 | CAM C | | 1 | | | | |
| 040 | 216019-1 | STEEL BALL 3 | | 13 | | | | |
| 041 | 267247-1 | FLAT WASHER 7 | | 1 | | | | |
| 042 | 266305-0 | TORX C.S HEAD SCREW M5X10 | | 1 | | | | |
| 043 | 125298-9 | CLUTCH ASS'Y K | | 1 | * | | | |
| D10 | | INC. 32-42,62 | | | * | | | |
| 043-1 | 125398-5 | CLUTCH ASS'Y K | O | 1 | * | | | |
| D10 | | INC. 32-42,62 | | | * | | | |
| 043-2 | 125398-5 | CLUTCH ASS'Y K | O | 1 | | | | |
| D10 | | INC. 32-42,62 | | | | | | |
| 044 | 153444-4 | CARRIER COMPLETE B | | 1 | | | | |
| 045 | 211375-4 | BALL BEARING 6805LLB | | 1 | | | | |
| 046 | 418004-2 | GEAR CASE | | 1 | | | | |
| 047 | 227052-8 | SPUR GEAR 18 | | 3 | | | | |
| 048 | 153448-6 | SPUR GEAR 9 COMPLETE B | | 1 | | | | |
| 049 | 227051-0 | SPUR GEAR 19 | | 3 | | | | |
| 050 | 227048-9 | INTERNAL GEAR 47 | | 1 | | | | |
| 051 | 267774-8 | LOCK WASHER | | 1 | | | | |
| 052 | 418003-4 | MOTOR BRACKET | | 1 | | | | |
| 053 | 638191-3 | YOKE UNIT | | 1 | | | | |
| 054 | 619127-1 | ARMATURE | | 1 | | | | |
| 055 | 638195-5 | ENDBELL COMPLETE | | 1 | | | | |
| 056 | 193466-2 | CARBON BRUSH CB-434 | | 1 | | | | |
| 057 | 643933-2 | BRUSH HOLDER CAP | | 2 | | | | |
| 058 | 416764-0 | LENS | | 1 | | | | |
| 059 | 183629-8 | HOUSING SET | | 1 | | | | |
| D10 | | INC. 3,60 | | | | | | |
| 060 | 819063-3 | MAKITA LABEL | | 1 | | | | |
| 061 | 265095-2 | PAN HEAD SCREW M3X20 | | 8 | | | | |
| 062 | 267276-4 | FLAT WASHER 18 | | 1 | | | | |
| 063 | 125192-5 | GEAR ASS'Y D | | 1 | | | | |
| D10 | | INC. 44-52 | | | | | | |
| A01 | 418423-2 | PROTECTOR(YELLOW) | | 1 | | | | |

Please order the parts with part number.

Print Date 19/6/2019