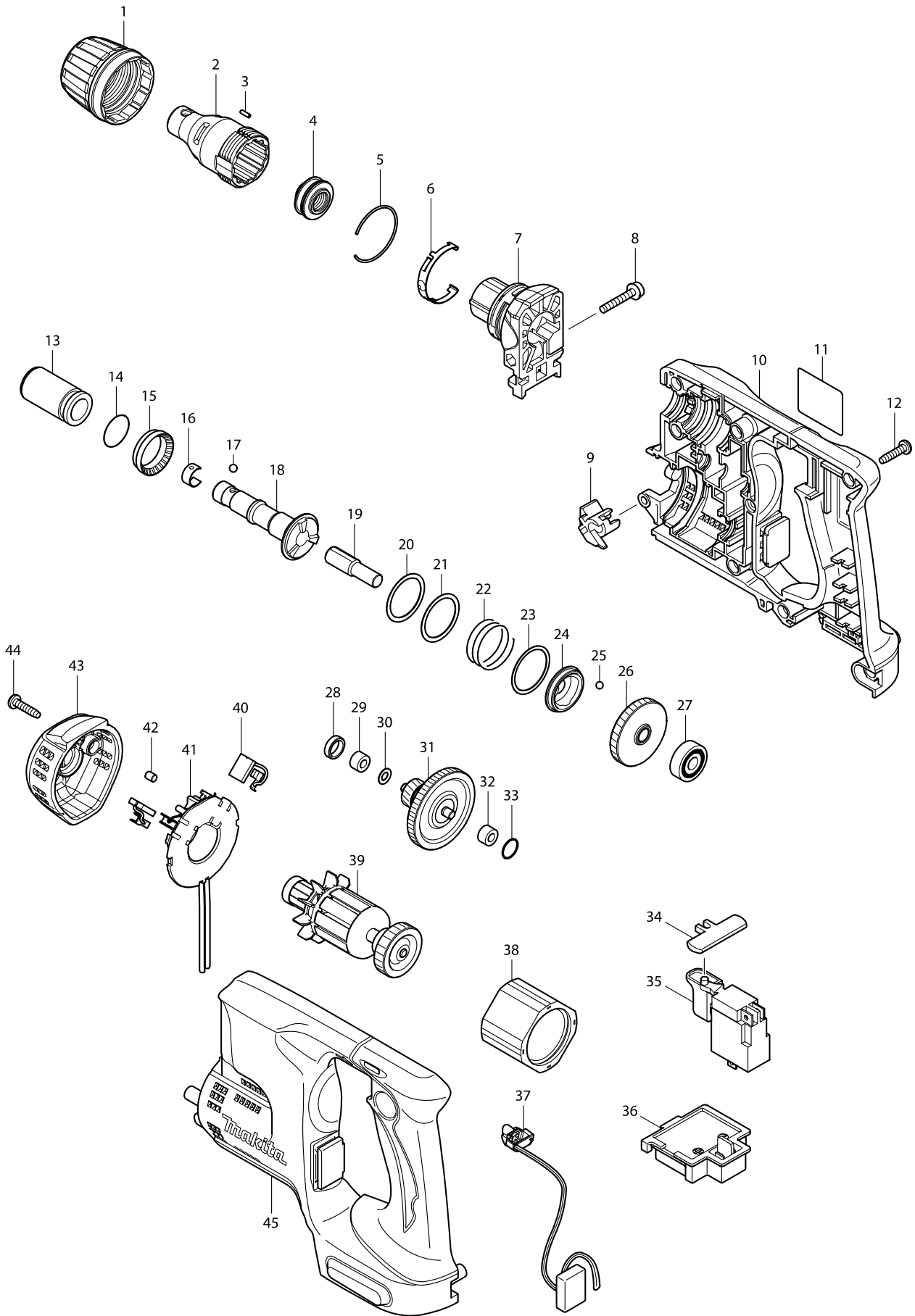


Model No. BFS440 CORDLESS SCREWDRIVER



Model No. BFS440 CORDLESS SCREWDRIVER

Item	Parts No.	Description	I/C	Qty	N/O	Opt. 1	Opt. 2	Note
001	450691-1	LOCK RING		1				
002	158754-4	LOCATOR S COMPLETE		1				
D10		INC. 3,4						
003	424133-1	BRAKE PIN		1				
004	424134-9	DUST SEAL RING		1				
005	233967-9	RING SPRING 33		1				
006	232245-4	LEAF SPRING		1				
007	158755-2	LOCATOR BASE COMPLETE		1				
008	911148-2	PAN HEAD SCREW M4X25		1				
009	450689-8	LIGHT HOLDER		1				
010	188556-4	HOUSING SET		1	*			
D10		INC. 45			*			
010-1	187475-1	HOUSING SET	X	1				
D10		INC. 45						
011	865341-9	BFS440 NAME PLATE		1				
012	265995-6	TAPPING SCREW 4X18		9				
013	214174-3	PLANE BEARING 14		1				
014	213262-3	O RING 18		1				
015	421927-5	SLEEVE 20		1				
016	232050-9	LEAF SPRING		1				
017	216001-0	STEEL BALL 3.5		1				
018	324925-7	SPINDLE		1				
019	256509-2	SHOULDER PIN 8-10		1				
020	267331-2	FLAT WASHER 25		1				
021	267331-2	FLAT WASHER 25		1				
022	234017-3	COMPRESSEION SPRING 25		1				
023	267332-0	FLAT WASHER 26		1				
024	223169-5	CLUTCH CAM C		1				
025	216008-6	STEEL BALL 4		3				
026	226670-9	HELICAL GEAR 48		1				
027	211034-0	BALL BEARING 608		1				
028	165115-1	RUBBER SLEEVE 10		1				
029	214017-9	PLANE BEARING 5		1				
030	253811-4	FLAT WASHER 5		1				
031	154937-4	GEAR COMPLETE 18-44		1				
032	214017-9	PLANE BEARING 5		1				
033	213055-8	O RING 10		1				
034	419304-3	F/R CHANGE LEVER		1				
035	650603-6	SWITCH TG513SBA-1		1	*			
035-1	650670-1	SWITCH TG513SBA-2	X	1				
036	643828-9	TERMINAL		1	*			
036-1	643850-6	TERMINAL	X	1				
037	631818-4	LIGHT CIRCUIT		1	*			
038	638426-2	YOKE UNIT		1				
039	619180-7	ARMATURE		1				
040	194427-5	CARBON BRUSH CB-440		1	*			
040-1	194427-5	CARBON BRUSH CB-440	X	1				
041	638433-5	BRUSH HOLDER COMPLETE		1				

Model No. BFS440 CORDLESS SCREWDRIVER

Item	Parts No.	Description	I/C	Qty	N/O	Opt. 1	Opt. 2	Note
C10	231696-8	TORSION SPRING R		1				
C20	231697-6	TORSION SPRING L		1				
042	263032-0	RUBBER PIN 4		2				
043	450692-9	FRONT COVER		1				
044	265995-6	TAPPING SCREW 4X18		2				
045	188556-4	HOUSING SET		1	*			
D10		INC. 10			*			
045-1	187475-1	HOUSING SET	X	1				
D10		INC. 10						
A01	281220-7	HOOK		1				
A02	784211-2	PHILLIPS INSERT BIT 2-25		2	*			
A02-1	784261-7	+BIT 2-25	O	2				
A03	784807-9	MAGNETIC CONNECT BIT 6.35-60		1	*			
A03-1	784811-8	MAGNETIC CONNECT BIT 6.35-60	O	1				
A04B	***DC18RA	DC18RA FAST CHARGER		1	*			
A04-1B	***DC18RC	DC18RC FAST CHARGER	<	1				
A05B	194065-3	BATTERY BL1430 SET		2	*			
A05-1B	194065-3	BATTERY BL1430 SET	O	2	*			
A05-2B	194065-3	BATTERY BL1430 SET	O	2	*			
A05-3B	194065-3	BATTERY BL1430 SET	O	2	*			
A05-4B	194065-3	BATTERY BL1430 SET	O	2				
A06B	450128-8	BATTERY COVER		1				
A07B	824756-9	PLASTIC CARRYING CASE		1	*			
C10	417059-4	LATCH		2	*			
A07-1B	140392-6	PLASTIC CARRYING CASE COMPLETE	<	1				
C10	417059-4	LATCH		2				
E01	620123-4	CONTROLLER		1				
E02	688172-7	LINE FILTER		2				

Please order the parts with a part number.

Print Date 24/04/2015