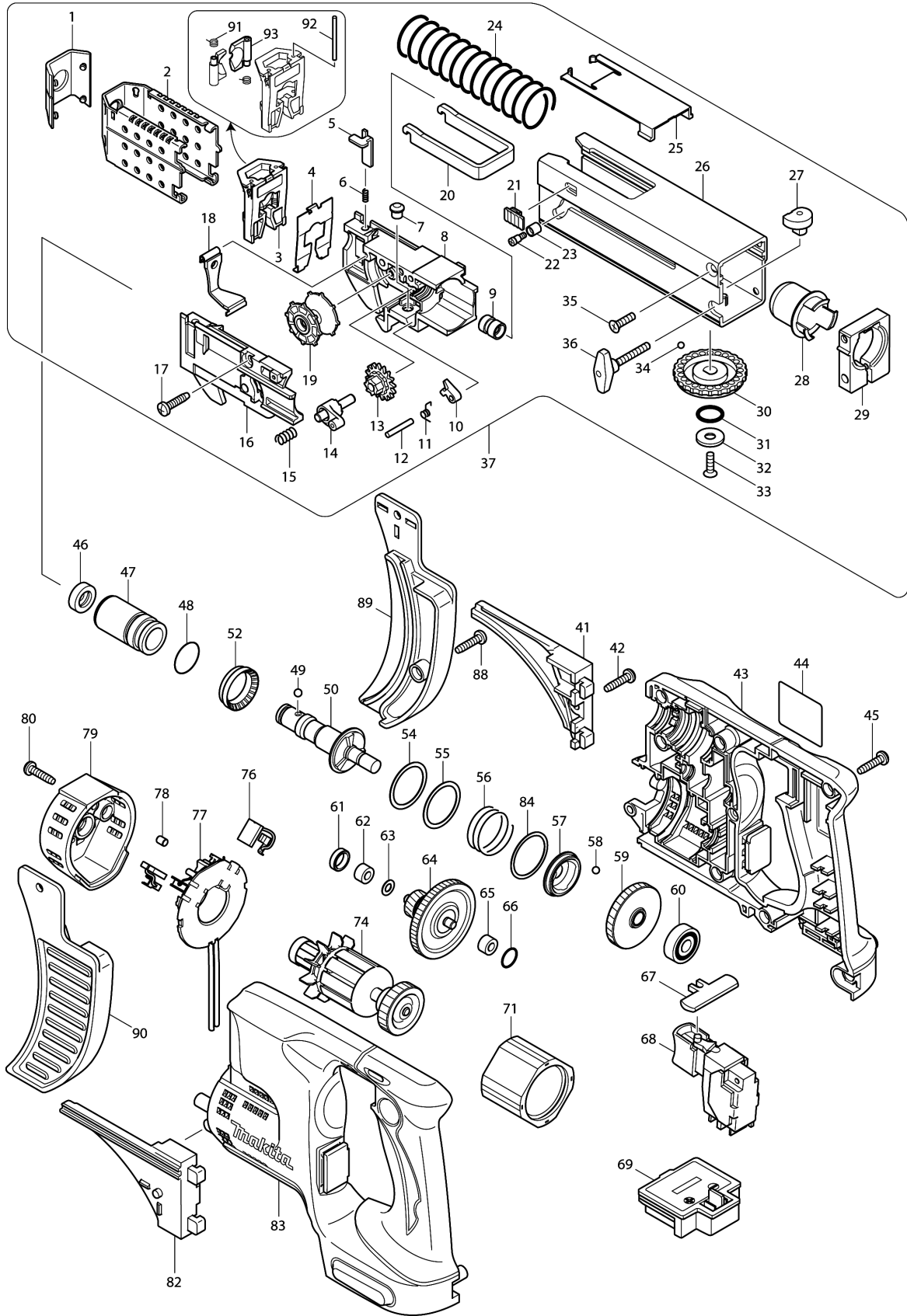


Model No.BFR540 CORDLESS AUTO FEED SCREWDRIVER



Model No.BFR540 CORDLESS AUTO FEED SCREWDRIVER

Item	Parts No.	Description	I/C	Qty	New/Old	Opt. 1	Opt. 2	Note
001	424043-2	CAP		1				
002	345839-7	STOPPER BASE 55		1				
003A	158376-0	GUIDE BOX COMPLETE		1	*			
D10		INC. 91,92,93			*			
003B	158376-0	GUIDE BOX COMPLETE		1	*			
D10		INC. 91,92,93			*			
003-1A	158776-4	GUIDE BOX COMPLETE	O	1	*			
D10		INC. 91,92,93			*			
003-1B	158776-4	GUIDE BOX COMPLETE	O	1	*			
D10		INC. 91,92,93			*			
003-2A	140493-0	GUIDE BOX COMPLETE	S	1				
D10		INC. 4,91,92,93						
003-2B	140493-0	GUIDE BOX COMPLETE	S	1				
D10		INC. 4,91,92,93						
003-2C	140493-0	GUIDE BOX COMPLETE		1				
D10		INC. 4,91,92,93						
003-2D	140493-0	GUIDE BOX COMPLETE		1				
D10		INC. 4,91,92,93						
003-2E	140493-0	GUIDE BOX COMPLETE		1				
D10		INC. 4,91,92,93						
003-2F	140493-0	GUIDE BOX COMPLETE		1				
D10		INC. 4,91,92,93						
004A	345840-2	GUARD		1	*			
004B	345840-2	GUARD		1	*			
004-1A	346269-5	GUARD	S	1				
004-1B	346269-5	GUARD	S	1				
004-1C	346269-5	GUARD		1				
004-1D	346269-5	GUARD		1				
004-1E	346269-5	GUARD		1				
004-1F	346269-5	GUARD		1				
005	345837-1	LEVER		2				
006	233211-4	COMPRESSION SPRING 2		2				
007	256451-7	PIN 6		1				
008	450107-6	FEEDER BOX		1				
009	257685-5	SLEEVE 5		1				
010	310062-3	STOPPER		1				
011	231636-6	TORSION SPRING 4		1				
012	256158-5	PIN 3		1				
013	226344-2	SPUR GEAR 16		1				
014	158374-4	RATCHET ARM COMPLETE		1				
015	233212-2	COMPRESSION SPRING 6		1				
016	158375-2	BOXCOVER COMPLETE		1				

Please order the parts with part number.

Print Date 19/6/2019

Model No.BFR540 CORDLESS AUTO FEED SCREWDRIVER

Item	Parts No.	Description	I/C	Qty	New/Old	Opt. 1	Opt. 2	Note
017	265995-6	TAPPING SCREW 4X18		1				
018	162201-9	DUST COVER		1				
019	416518-5	WHEEL		1				
020	345838-9	PLATE		1				
021	450111-5	STOPPER		2				
022	265177-0	+SHOULDER FLAT HEAD SCREW M3X5		1				
023	257764-9	SLEEVE 4		1				
024	234031-9	COMPRESSION SPRING 23		1				
025	450114-9	CASING COVER		1				
026	158377-8	CASING 55 COMPLETE		1				
C10	816885-2	INDICATION LABEL		1				
027	310237-4	SHIFTER PIN		1				
028	450110-7	INSULATION SLEEVE		1				
029	318181-9	CLAMPER		1				
030	417056-0	DIAL 42		1				
031	213107-5	O RING 12		1				
032	267201-5	FLAT WASHER 6		1				
033	912117-6	COUNTERSUNK HEAD SCREW M4X12		1				
034	216001-0	STEEL BALL 3.5		1				
035	912117-6	COUNTERSUNK HEAD SCREW M4X12		3				
036A	265778-4	THUMB SCREW M4X28		1	*			
036B	265778-4	THUMB SCREW M4X28		1	*			
036-1A	265779-2	THUMB SCREW M4X28	<	1				
036-1B	265779-2	THUMB SCREW M4X28	<	1				
036-1C	265779-2	THUMB SCREW M4X28		1				
036-1D	265779-2	THUMB SCREW M4X28		1				
036-1E	265779-2	THUMB SCREW M4X28		1				
036-1F	265779-2	THUMB SCREW M4X28		1				
037A	194440-3	CASING 55 SET		1	*			
D10		INC. 1-36			*			
037B	194440-3	CASING 55 SET		1	*			
D10		INC. 1-36			*			
037-1A	194544-1	CASING 55 SET	<	1	*			
D10		INC. 1-36			*			
037-1B	194544-1	CASING 55 SET	<	1	*			
D10		INC. 1-36			*			
037-2A	194636-6	CASING 55 SET	O	1	*			
D10		INC. 1-36			*			
037-2B	194636-6	CASING 55 SET	O	1	*			
D10		INC. 1-36			*			
037-3A	195184-8	CASING 55 SET	<	1				

Please order the parts with part number.

Print Date 19/6/2019

Model No.BFR540 CORDLESS AUTO FEED SCREWDRIVER

Item	Parts No.	Description	I/C	Qty	New/Old	Opt. 1	Opt. 2	Note
D10		INC. 1-36						
037-3B	195184-8	CASING 55 SET	<	1				
D10		INC. 1-36						
037-3C	195184-8	CASING 55 SET		1				
D10		INC. 1-36						
037-3D	195184-8	CASING 55 SET		1				
D10		INC. 1-36						
037-3E	195184-8	CASING 55 SET		1				
D10		INC. 1-36						
037-3F	195184-8	CASING 55 SET		1				
D10		INC. 1-36						
041	188309-1	SCREW GUIDE SET		1				
D10		INC. 82						
042	265995-6	TAPPING SCREW 4X18		1				
043A	188335-0	HOUSING SET		1	*			
D10		INC. 83			*			
043B	188335-0	HOUSING SET		1	*			
D10		INC. 83			*			
043-1A	188556-4	HOUSING SET	S	1	*			
D10		INC. 83			*			
043-1B	188556-4	HOUSING SET	S	1	*			
D10		INC. 83			*			
043-1C	188556-4	HOUSING SET		1	*			
D10		INC. 83			*			
043-1D	188556-4	HOUSING SET		1	*			
D10		INC. 83			*			
043-2A	187475-1	HOUSING SET	X	1				
D10		INC. 83						
043-2B	187475-1	HOUSING SET	X	1				
D10		INC. 83						
043-2C	187475-1	HOUSING SET	X	1				
D10		INC. 83						
043-2D	187475-1	HOUSING SET	X	1				
D10		INC. 83						
043-2E	187475-1	HOUSING SET		1				
D10		INC. 83						
043-2F	187475-1	HOUSING SET		1				
D10		INC. 83						
044	863788-1	BFR540 NAME PLATE		1				
045	265995-6	TAPPING SCREW 4X18		9				
046	421467-3	DUST COVER		1				
047	214173-5	PLANE BEARING 14		1				

Please order the parts with part number.

Print Date 19/6/2019

Model No.BFR540 CORDLESS AUTO FEED SCREWDRIVER

Item	Parts No.	Description	I/C	Qty	New/Old	Opt. 1	Opt. 2	Note
048	213262-3	O RING 18		1				
049	216001-0	STEEL BALL 3.5		1				
050	324808-1	SPINDLE B		1				
052	421927-5	SLEEVE 20		1				
054	267331-2	FLAT WASHER 25		1				
055	267331-2	FLAT WASHER 25		1				
056	234017-3	COMPRESSION SPRING 25		1				
057	223169-5	CLUTCH CAM C		1				
058	216008-6	STEEL BALL 4		3				
059	226670-9	HELICAL GEAR 48		1				
060	211034-0	BALL BEARING 608		1				
061	165115-1	RUBBER SLEEVE 10		1				
062	214017-9	PLANE BEARING 5		1				
063	253811-4	FLAT WASHER 5		1				
064	154937-4	GEAR COMPLETE 18-44		1				
065	214017-9	PLANE BEARING 5		1				
066	213055-8	O RING 10		1				
067	419304-3	F/R CHANGE LEVER		1				
068A	650575-5	SWITCH TG513SBA		1	*			
068B	650575-5	SWITCH TG513SBA		1	*			
068C	650575-5	SWITCH TG513SBA		1	*			
068D	650575-5	SWITCH TG513SBA		1	*			
068-1A	650670-1	SWITCH TG513SBA-2	X	1				
068-1B	650670-1	SWITCH TG513SBA-2	X	1				
068-1C	650670-1	SWITCH TG513SBA-2	X	1				
068-1D	650670-1	SWITCH TG513SBA-2	X	1				
068-1E	650670-1	SWITCH TG513SBA-2		1				
068-1F	650670-1	SWITCH TG513SBA-2		1				
069A	643811-6	TERMINAL		1	*			
069B	643811-6	TERMINAL		1	*			
069-1A	643828-9	TERMINAL	S	1	*			
069-1B	643828-9	TERMINAL	S	1	*			
069-1C	643828-9	TERMINAL		1	*			
069-1D	643828-9	TERMINAL		1	*			
069-2A	643850-6	TERMINAL	X	1				
069-2B	643850-6	TERMINAL	X	1				
069-2C	643850-6	TERMINAL	X	1				
069-2D	643850-6	TERMINAL	X	1				
069-2E	643850-6	TERMINAL		1				
069-2F	643850-6	TERMINAL		1				
071	638426-2	YOKE UNIT		1				
074	619180-7	ARMATURE		1				

Please order the parts with part number.

Print Date 19/6/2019

Model No.BFR540 CORDLESS AUTO FEED SCREWDRIVER

Item	Parts No.	Description	I/C	Qty	New/Old	Opt. 1	Opt. 2	Note
076A	194427-5	CARBON BRUSH CB-440		1	*			
076B	194427-5	CARBON BRUSH CB-440		1	*			
076-1A	194427-5	CARBON BRUSH CB-440	X	1				
076-1B	194427-5	CARBON BRUSH CB-440	X	1				
076-1C	194427-5	CARBON BRUSH CB-440		1				
076-1D	194427-5	CARBON BRUSH CB-440		1				
076-1E	194427-5	CARBON BRUSH CB-440		1				
076-1F	194427-5	CARBON BRUSH CB-440		1				
077	638433-5	BRUSH HOLDER COMPLETE		1				
C10	231696-8	TORSION SPRING R		1				
C20	231697-6	TORSION SPRING L		1				
078	263032-0	RUBBER PIN 4		2				
079	419307-7	FRONT COVER		1				
080	265995-6	TAPPING SCREW 4X18		2				
082	188309-1	SCREW GUIDE SET		1				
D10		INC. 41						
083A	188335-0	HOUSING SET		1	*			
D10		INC. 43			*			
083B	188335-0	HOUSING SET		1	*			
D10		INC. 43			*			
083-1A	188556-4	HOUSING SET	S	1	*			
D10		INC. 43			*			
083-1B	188556-4	HOUSING SET	S	1	*			
D10		INC. 43			*			
083-1C	188556-4	HOUSING SET		1	*			
D10		INC. 43			*			
083-1D	188556-4	HOUSING SET		1	*			
D10		INC. 43			*			
083-2A	187475-1	HOUSING SET	X	1				
D10		INC. 43						
083-2B	187475-1	HOUSING SET	X	1				
D10		INC. 43						
083-2C	187475-1	HOUSING SET	X	1				
D10		INC. 43						
083-2D	187475-1	HOUSING SET	X	1				
D10		INC. 43						
083-2E	187475-1	HOUSING SET		1				
D10		INC. 43						
083-2F	187475-1	HOUSING SET		1				
D10		INC. 43						
084	267332-0	FLAT WASHER 26		1				
088A	265995-6	TAPPING SCREW 4X18		1	*			

Please order the parts with part number.

Print Date 19/6/2019

Model No.BFR540 CORDLESS AUTO FEED SCREWDRIVER

Item	Parts No.	Description	I/C	Qty	New/Old	Opt. 1	Opt. 2	Note
088B	265995-6	TAPPING SCREW 4X18		1	*			
088-1A	265995-6	TAPPING SCREW 4X18	S	2				
088-1B	265995-6	TAPPING SCREW 4X18	S	2				
088-1C	265995-6	TAPPING SCREW 4X18		2				
088-1D	265995-6	TAPPING SCREW 4X18		2				
088-1E	265995-6	TAPPING SCREW 4X18		2				
088-1F	265995-6	TAPPING SCREW 4X18		2				
089A	188310-6	GUIDE ATTACHMENT SET		1	*			
D10		INC. 90			*			
089B	188310-6	GUIDE ATTACHMENT SET		1	*			
D10		INC. 90			*			
089-1A	188310-6	GUIDE ATTACHMENT SET	S	1				
D10		INC. 90						
089-1B	188310-6	GUIDE ATTACHMENT SET	S	1				
D10		INC. 90						
089-1C	188310-6	GUIDE ATTACHMENT SET		1				
D10		INC. 90						
089-1D	188310-6	GUIDE ATTACHMENT SET		1				
D10		INC. 90						
089-1E	188310-6	GUIDE ATTACHMENT SET		1				
D10		INC. 90						
089-1F	188310-6	GUIDE ATTACHMENT SET		1				
D10		INC. 90						
090A	188310-6	GUIDE ATTACHMENT SET		1	*			
D10		INC. 89			*			
090B	188310-6	GUIDE ATTACHMENT SET		1	*			
D10		INC. 89			*			
090-1A	188310-6	GUIDE ATTACHMENT SET	S	1				
D10		INC. 89						
090-1B	188310-6	GUIDE ATTACHMENT SET	S	1				
D10		INC. 89						
090-1C	188310-6	GUIDE ATTACHMENT SET		1				
D10		INC. 89						
090-1D	188310-6	GUIDE ATTACHMENT SET		1				
D10		INC. 89						
090-1E	188310-6	GUIDE ATTACHMENT SET		1				
D10		INC. 89						
090-1F	188310-6	GUIDE ATTACHMENT SET		1				
D10		INC. 89						
091A	233516-2	TORSION SPRING 4		2	*			
091B	233516-2	TORSION SPRING 4		2	*			
091-1A	233567-5	TORSION SPRING 4	S	2				

Please order the parts with part number.

Print Date 19/6/2019

Model No.BFR540 CORDLESS AUTO FEED SCREWDRIVER

Item	Parts No.	Description	I/C	Qty	New/Old	Opt. 1	Opt. 2	Note
091-1B	233567-5	TORSION SPRING 4	S	2				
091-1C	233567-5	TORSION SPRING 4		2				
091-1D	233567-5	TORSION SPRING 4		2				
091-1E	233567-5	TORSION SPRING 4		2				
091-1F	233567-5	TORSION SPRING 4		2				
092	268188-4	PIN 2		2				
093A	310236-6	GUIDE		2	*			
093B	310236-6	GUIDE		2	*			
093-1A	310282-9	GUIDE	O	2				
093-1B	310282-9	GUIDE	O	2				
093-1C	310282-9	GUIDE		2				
093-1D	310282-9	GUIDE		2				
093-1E	310282-9	GUIDE		2				
093-1F	310282-9	GUIDE		2				
094	125809-0	FEEDER BOX ASS'Y		1				
D10		INC. 1-3,5-19,22,23						
A01	281217-6	HOOK		1				
A02A	784252-8	+BIT 2-157		3	*			
A02B	784252-8	+BIT 2-157		3	*			
A02C	784655-6	+BIT 2-160		3				
A02D	784655-6	+BIT 2-160		3				
A03B	***DC18RA	DC18RA FAST CHARGER		1	*			
A03D	***DC18RA	DC18RA FAST CHARGER		1	*			
A03-1B	***DC18RC	DC18RC FAST CHARGER	<	1				
A03-1D	***DC18RC	DC18RC FAST CHARGER	<	1				
A03-1E	***DC18RC	DC18RC FAST CHARGER		1				
A04B	194065-3	BATTERY BL1430 SET		2	*			
A04-1B	194065-3	BATTERY BL1430 SET	O	2	*			
A04-2B	194065-3	BATTERY BL1430 SET	O	2	*			
A04-3B	194065-3	BATTERY BL1430 SET	O	2	*			
A04-4B	194065-3	BATTERY BL1430 SET	O	2	*			
A04-4D	194065-3	BATTERY BL1430 SET		2	*			
A04-4E	194065-3	BATTERY BL1430 SET		2	*			
A04-5B	194065-3	BATTERY BL1430 SET	O	2	*			
A04-5D	194065-3	BATTERY BL1430 SET	O	2	*			
A04-5E	194065-3	BATTERY BL1430 SET	O	2	*			
A04-6B	197616-1	BATTERY BL1430B SET	<	2	*			
A04-6D	197616-1	BATTERY BL1430B SET	<	2	*			
A04-6E	197616-1	BATTERY BL1430B SET	<	2	*			
A04-7B	197616-1	BATTERY BL1430B SET	O	2				
A04-7D	197616-1	BATTERY BL1430B SET	O	2				
A04-7E	197616-1	BATTERY BL1430B SET	O	2				

Please order the parts with part number.

Print Date 19/6/2019

Model No.BFR540 CORDLESS AUTO FEED SCREWDRIVER

Item	Parts No.	Description	I/C	Qty	New/Old	Opt. 1	Opt. 2	Note
A05B	824807-8	PLASTIC CARRYING CASE		1	*			
C10	163455-1	LATCH		2	*			
C20	419360-3	HANDLE		1	*			
A05D	824807-8	PLASTIC CARRYING CASE		1	*			
C10	163455-1	LATCH		2	*			
C20	419360-3	HANDLE		1	*			
A05E	142077-0	CONNECTOR P.CASE(TYPE3) COMP.		1	*			
C10	453974-8	LATCH		4	*			
A05F	142077-0	CONNECTOR P.CASE(TYPE3) COMP.		1	*			
C10	453974-8	LATCH		4	*			
A05-1B	141352-1	PLASTIC CARRYING CASE COMPLETE	<	1				
C10	163455-1	LATCH		2				
C20	419360-3	HANDLE		1				
A05-1D	141352-1	PLASTIC CARRYING CASE COMPLETE	<	1				
C10	163455-1	LATCH		2				
C20	419360-3	HANDLE		1				
A05-1E	142077-0	CONNECTOR P.CASE(TYPE3) COMP.	<	1				
C10	453974-8	LATCH		4				
A05-1F	142077-0	CONNECTOR P.CASE(TYPE3) COMP.	<	1				
C10	453974-8	LATCH		4				
A06B	450128-8	BATTERY COVER		1				
A06D	450128-8	BATTERY COVER		1				
A06E	450128-8	BATTERY COVER		2				
A07E	837631-0	INNER TRAY		1				
A07F	837631-0	INNER TRAY		1				
A08E	800Y88-8	BFR540RFJ INDICATION LABEL		1				
A08F	800Y90-1	BFR540ZJ INDICATION LABEL		1				
A09E	800Y89-6	BFR540RFJ PLASTIC CASE LABEL		2				
A09F	800Y91-9	BFR540ZJ PLASTIC CASE LABEL		2				
E01	620122-6	CONTROLLER		1				
E02	688172-7	LINE FILTER		2				

Please order the parts with part number.

Print Date 19/6/2019