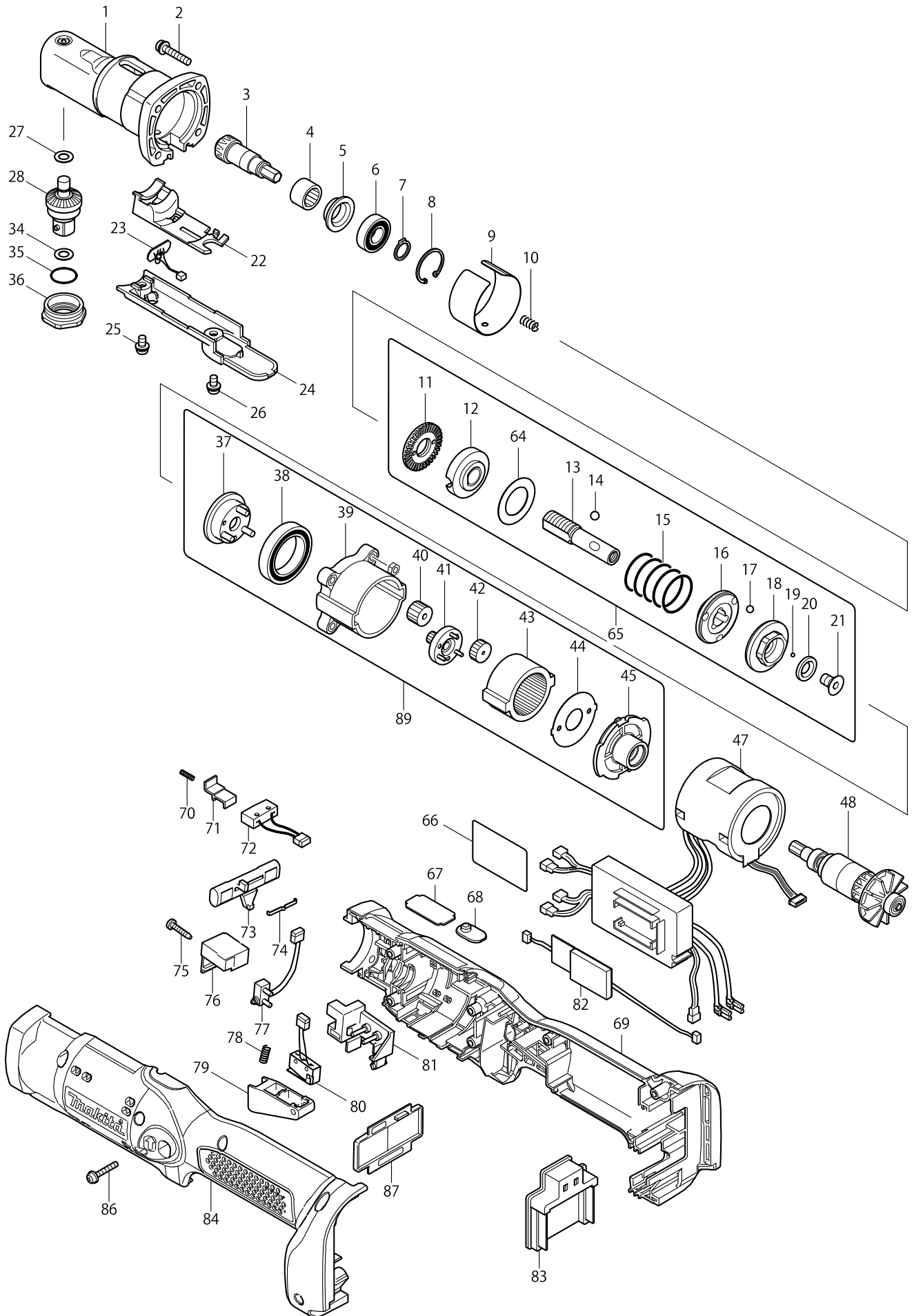


# Model No. BFL201F CORDLESS ANGLE SCREWDRIVER



# Model No. BFL201F CORDLESS ANGLE SCREWDRIVER

Item	Parts No.	Description	I/C	Qty	N/O	Opt. 1	Opt. 2	Note
001	154494-2	ANGLE HEAD COMPLETE		1				
002	265145-3	+ PAN HEAD SCREW M4X22		4				
003	227469-5	SPIRAL BEVEL GEAR 9		1				
004	212123-4	NEEDLE BEARING 1210		1				
005	345281-2	SPACER		1				
006	210057-5	BALL BEARING 6900LLB		1				
007	961026-6	RETAINING RING S-10		1				
008	962112-6	RETAINING RING R-22		1				
009	345287-0	RING 38C		1				
010	233019-6	COMPRESSION SPRING 5		1				
011	324834-0	LOCK NUT M12		1				
012	158408-3	ADJUST RING COMPLETE		1				
013	324296-2	SPINDLE		1				
014	216018-3	STEEL BALL 5.0		3				
015	234029-6	COMPRESSION SPRING 19H		1				
016	223146-7	CAM D		1				
017	216024-8	STEEL BALL 4		3				
018	223139-4	CAM A		1				
019	216019-1	STEEL BALL 3		13				
020	267247-1	FLAT WASHER 7		1				
021	266305-0	TORX C.S HEAD SCREW M5X10		1				
022	418011-5	LIGHT HOLDER		1				
023	631764-1	LED CIRCUIT		1				
024	418005-0	LIGHT COVER		1				
025	265171-2	PAN HEAD SCREW M4X8		1				
026	265171-2	PAN HEAD SCREW M4X8		1				
027	253726-5	FLAT WASHER 6		1				
028	154725-9	SPINDLE A COMPLETE		1				
034	253842-3	FLAT WASHER 14		1				
035	213162-7	O RING 14		1				
036	285707-1	BEARING RETAINER 14-23		1				
037	153444-4	CARRIER COMPLETE B		1				
038	211375-4	BALL BEARING 6805LLB		1				
039	418004-2	GEAR CASE		1				
040	227052-8	SPUR GEAR 18		3				
041	153447-8	SPUR GEAR 9 COMPLETE A		1				
042	227049-7	SPUR GEAR 18		3				
043	227048-9	INTERNAL GEAR 47		1				
044	267774-8	LOCK WASHER		1				
045	418003-4	MOTOR BRACKET		1				
047	631997-8	MOTOR CONTROL UNIT		1				
048	619144-1	ROTOR		1				
064	267276-4	FLAT WASHER 18		1				
065	125377-3	CLUTCH ASS'Y N		1				
D10		INC. 11-21,64						
066	868205-6	BFL201F NAME PLATE		1				
067	345284-6	PLATE C		1				
068	419832-8	LENS		1				

