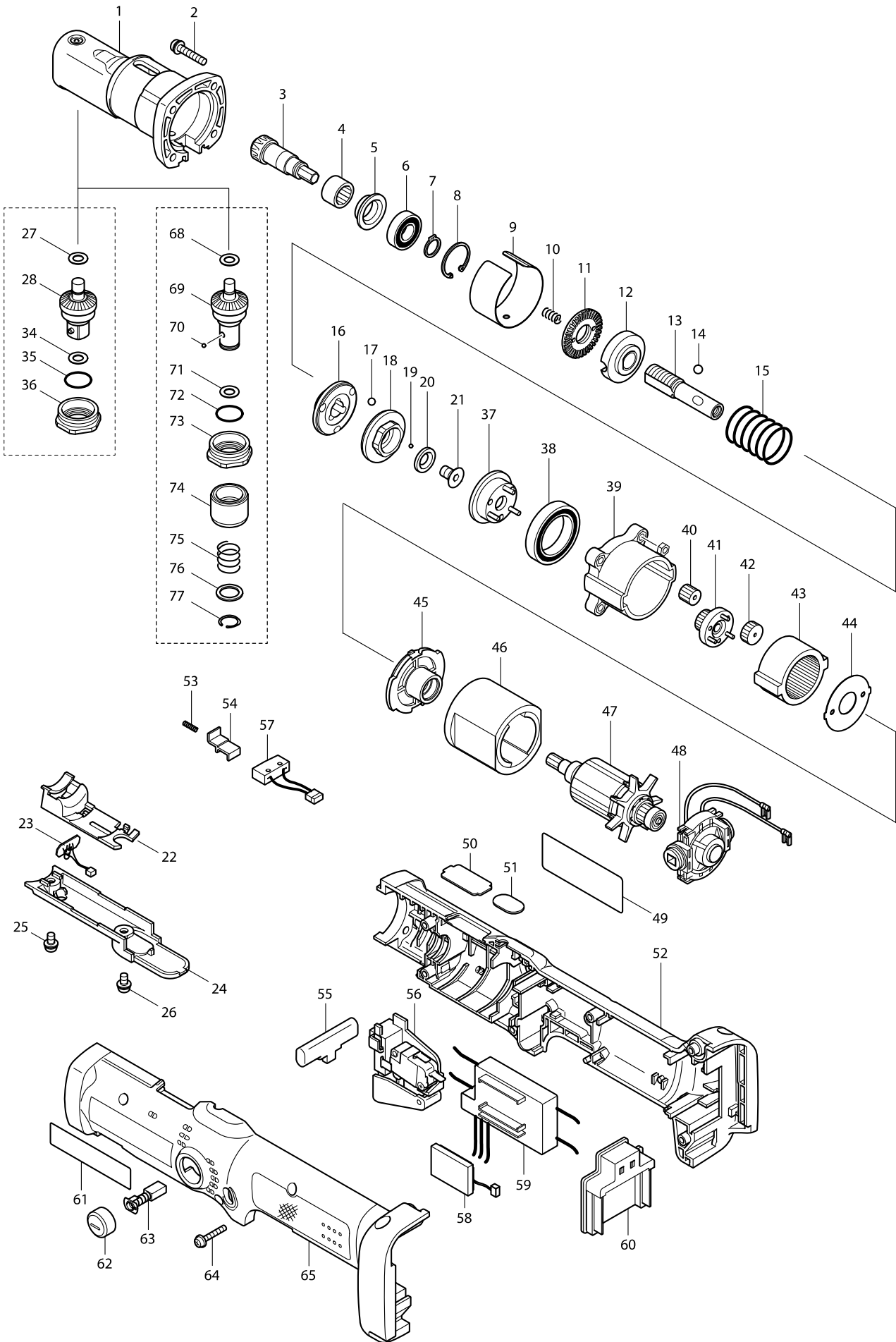


Model No. BFL200F CORDLESS ANGLE SCREWDRIVER



Model No. BFL200F CORDLESS ANGLE SCREWDRIVER

Item	Parts No.	Description	I/C	Qty	N/O	Opt. 1	Opt. 2	Note
001	153440-2	ANGLE HEAD COMPLETE		1	*			
001-1	154494-2	ANGLE HEAD COMPLETE	O	1				
002-1	265145-3	+ PAN HEAD SCREW M4X22		4				
003-1	227469-5	SPIRAL BEVEL GEAR 9		1				
004	212123-4	NEEDLE BEARING 1210		1				
005	345281-2	SPACER		1				
006	210057-5	BALL BEARING 6900LLB		1				
007	961026-6	RETAINING RING S-10		1				
008	962112-6	RETAINING RING R-22		1				
009-1	345287-0	RING 38C		1				
010	233019-6	COMPRESSION SPRING 5		1				
011	324281-5	LOCK NUT M12		1	*			
011-1	324834-0	LOCK NUT M12	S	1				
012	153442-8	ADJUST RING COMPLETE		1	*			
012-1	158408-3	ADJUST RING COMPLETE	S	1				
013	324296-2	SPINDLE		1				
014	216018-3	STEEL BALL 5.0		3				
015	233358-4	COMPRESSION SPRING 19C		1				
016	223140-9	CAM B		1				
017	216024-8	STEEL BALL 4		3				
018	223139-4	CAM A		1				
019	216019-1	STEEL BALL 3		13				
020	267247-1	FLAT WASHER 7		1				
021	266305-0	TORX C.S HEAD SCREW M5X10		1				
022	418011-5	LIGHT HOLDER		1				
023	631513-6	LED CIRCUIT		1				
024	418005-0	LIGHT COVER		1				
025	911108-4	PAN HEAD SCREW M4X8		1	*			
025-1	265171-2	PAN HEAD SCREW M4X8	<	1				
026	911108-4	PAN HEAD SCREW M4X8		1	*			
026-1	265171-2	PAN HEAD SCREW M4X8	<	1				
027A	253726-5	FLAT WASHER 6		1	*			
027B	253726-5	FLAT WASHER 6		1				
028-1A	153931-3	SPINDLE B COMPLETE		1	*			
028-1B	153930-5	SPINDLE A COMPLETE		1	*			
028-2A	154726-7	SPINDLE B COMPLETE	O	1	*			
028-2B	154725-9	SPINDLE A COMPLETE	O	1				
029A	216019-1	STEEL BALL 3		2	*			
030A	162218-2	SLEEVE		1	*			
031A	233005-7	COMPRESSION SPRING 13		1	*			
032A	267143-3	FLAT WASHER 11		1	*			
033A	231965-7	RING SPRING 10		1	*			
034A	253842-3	FLAT WASHER 14		1	*			
034B	253842-3	FLAT WASHER 14		1				
035A	213162-7	O RING 14		1	*			
035B	213162-7	O RING 14		1				
036A	285707-1	BEARING RETAINER 14-23		1	*			
036B	285707-1	BEARING RETAINER 14-23		1				

Model No. BFL200F CORDLESS ANGLE SCREWDRIVER

Item	Parts No.	Description	I/C	Qty	N/O	Opt. 1	Opt. 2	Note
037	153444-4	CARRIER COMPLETE B		1				
038	211375-4	BALL BEARING 6805LLB		1				
039	418004-2	GEAR CASE		1				
040	227052-8	SPUR GEAR 18		3				
041	153448-6	SPUR GEAR 9 COMPLETE B		1				
042	227051-0	SPUR GEAR 19		3				
043	227048-9	INTERNAL GEAR 47		1				
044	267774-8	LOCK WASHER		1				
045	418003-4	MOTOR BRACKET		1				
046	638183-2	YOKE UNIT		1				
047	619095-8	ARMATURE		1				
048	687138-4	ENDBELL COMPLETE		1				
049	853883-5	BFL200F NAME PLATE		1				
050-1	345401-8	PLATE C		1				
051	418001-8	LENS		1				
052	183510-3	HOUSING SET		1				
D10		INC. 61,65						
053	233025-1	COMPRESSION SPRING 2		1				
054	418002-6	SWITCH LEVER		1				
055	417511-2	F/R CHANGE LEVER		1				
056	650536-5	SWITCH C3Z-5-01		1				
057	638184-0	SWITCH UNIT		1				
058	631514-4	BUZZER CIRCUIT		1				
059	631512-8	CONTROLLER		1	*			
059-1	638961-0	CONTROLLER UNIT	<	1				
060	643983-7	TERMINAL		1				
061	819003-1	MAKITA LABEL		1				
062	643933-2	BRUSH HOLDER CAP		2				
063	193466-2	CARBON BRUSH CB-434		1				
064-1	265095-2	PAN HEAD SCREW M3X20		6				
065	183510-3	HOUSING SET		1				
D10		INC. 52,61						
066	125192-5	GEAR ASS'Y D		1				
D10		INC. 37-45						
067-1	125195-9	CLUTCH ASSEMBLY C		1	*			
C10	267276-4	FLAT WASHER 18		1	*			
D10		INC. 11-21			*			
067-2	125390-1	CLUTCH ASS'Y C	O	1				
C10	267276-4	FLAT WASHER 18		1				
D10		INC. 11-21						
068A	253726-5	FLAT WASHER 6		1				
069-1A	153931-3	SPINDLE B COMPLETE		1	*			
069-2A	154726-7	SPINDLE B COMPLETE	O	1	*			
069-3A	154726-7	SPINDLE B COMPLETE	O	1				
070A	216019-1	STEEL BALL 3		2				
071A	253842-3	FLAT WASHER 14		1				
072A	213162-7	O RING 14		1				
073A	285707-1	BEARING RETAINER 14-23		1				

