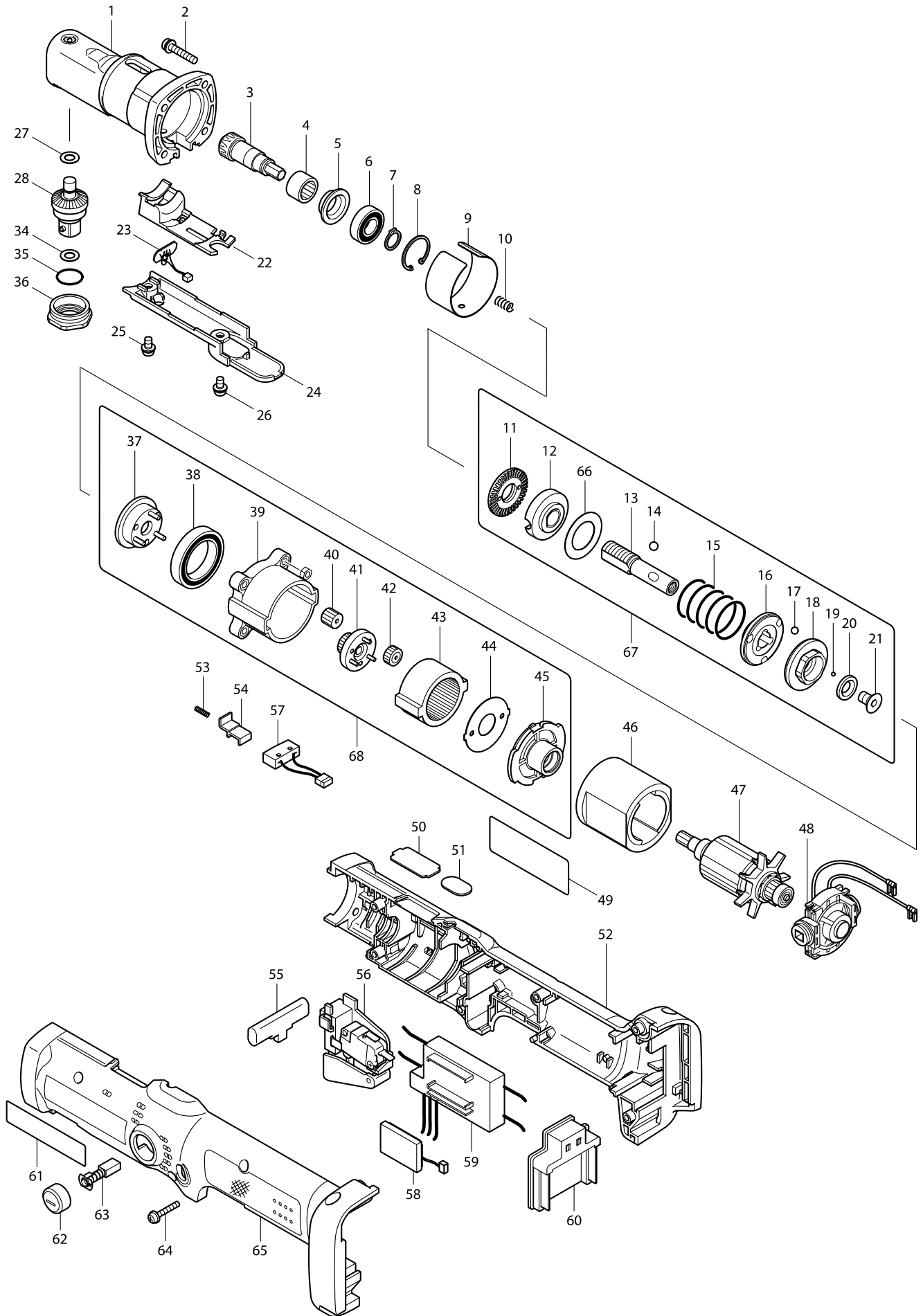


# Model No. BFL081F CORDLESS ANGLE SCREWDRIVER



# Model No. BFL081F CORDLESS ANGLE SCREWDRIVER

Item	Parts No.	Description	I/C	Qty	N/O	Opt. 1	Opt. 2	Note
001-1	154494-2	ANGLE HEAD COMPLETE		1				
002-1	265145-3	+ PAN HEAD SCREW M4X22		4				
003	227469-5	SPIRAL BEVEL GEAR 9		1				
004	212123-4	NEEDLE BEARING 1210		1				
005	345281-2	SPACER		1				
006	210057-5	BALL BEARING 6900LLB		1				
007	961026-6	RETAINING RING S-10		1				
008	962112-6	RETAINING RING R-22		1				
009	345442-4	RING 38J		1				
010	233019-6	COMPRESSION SPRING 5		1				
011	324281-5	LOCK NUT M12		1	*			
011-1	324834-0	LOCK NUT M12	S	1				
012	153442-8	ADJUST RING COMPLETE		1	*			
012-1	158408-3	ADJUST RING COMPLETE	S	1				
013	324296-2	SPINDLE		1				
014	216018-3	STEEL BALL 5.0		3				
015	233358-4	COMPRESSION SPRING 19C		1				
016	223146-7	CAM D		1				
017	216024-8	STEEL BALL 4		3				
018	223143-3	CAM C		1				
019	216019-1	STEEL BALL 3		13				
020	267247-1	FLAT WASHER 7		1				
021	266305-0	TORX C.S HEAD SCREW M5X10		1				
022	418011-5	LIGHT HOLDER		1				
023	631513-6	LED CIRCUIT		1				
024	418005-0	LIGHT COVER		1				
025	911108-4	PAN HEAD SCREW M4X8		1	*			
025-1	265171-2	PAN HEAD SCREW M4X8	<	1				
026	911108-4	PAN HEAD SCREW M4X8		1	*			
026-1	265171-2	PAN HEAD SCREW M4X8	<	1				
027	253726-5	FLAT WASHER 6		1				
028	153930-5	SPINDLE A COMPLETE		1	*			
028-1	154725-9	SPINDLE A COMPLETE	O	1				
034	253842-3	FLAT WASHER 14		1				
035	213162-7	O RING 14		1				
036	285707-1	BEARING RETAINER 14-23		1				
037	153443-6	CARRIER COMPLETE A		1				
038	211375-4	BALL BEARING 6805LLB		1				
039	418004-2	GEAR CASE		1				
040	227050-2	SPUR GEAR 13		3				
041	153684-4	SPUR GEAR 20 COMPLETE C		1				
042	227104-5	SPUR GEAR 15		3				
043	227048-9	INTERNAL GEAR 47		1				
044	267774-8	LOCK WASHER		1				
045	418003-4	MOTOR BRACKET		1				
046	638183-2	YOKE UNIT		1				
047	619136-0	ARMATURE		1				
048	687138-4	ENDBELL COMPLETE		1				

