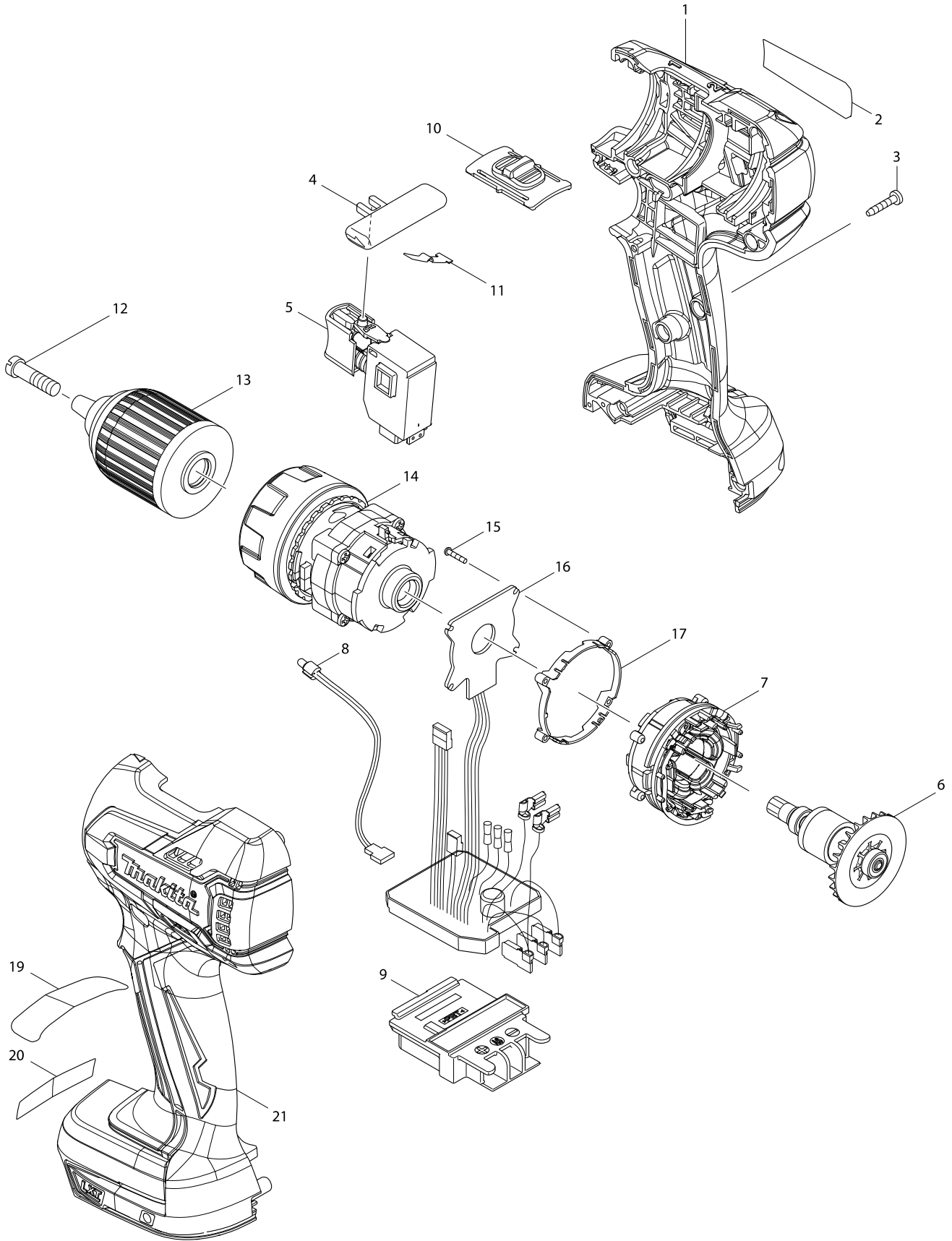


Model No. BDF459 CORDLESS DRIVER DRILL



2012/02
BDF459

Model No. BDF459 CORDLESS DRIVER DRILL

Item	Parts No.	Description	I/C	Qty	N/O	Opt. 1	Opt. 2	Note
001	187454-9	HOUSING SET		1	*			
C10	263005-3	RUBBER PIN 6		2	*			
D10		INC. 21			*			
001-1	187454-9	HOUSING SET	O	1				
C10	263005-3	RUBBER PIN 6		2				
D10		INC. 21						
002	897416-6	BDF459 NAME PLATE		1				
003	266429-2	TAPPING SCREW 3X16		9				
004	419250-0	F/R CHANGE LEVER		1				
005	650689-0	SWITCH C3JW-2B		1				
006	619304-5	ROTOR		1	*			
006-1	619304-5	ROTOR	O	1				
007	629960-3	STATOR		1				
008	620163-2	LED CIRCUIT		1				
009	643860-3	TERMINAL		1				
010	126180-5	SPEED CHANGE LEVER ASSEMBLY		1				
C10	233438-6	COMPRESSION SPRING 4		2				
011	232182-2	LEAF SPRING		1				
012	251468-5	- FLAT HEAD SCREW M6X22		1				
013	763175-3	KEYLESS DRILL CHUCK 13		1				
014	126188-9	GEAR ASSEMBLY		1				
015	266786-8	+ PAN HEAD TAPPING SCREW 2X10		4				
016	620162-4	CONTROLLER		1				
017	687464-1	SUPPORT		1				
021	187454-9	HOUSING SET		1	*			
C10	263005-3	RUBBER PIN 6		2	*			
D10		INC. 1			*			
021-1	187454-9	HOUSING SET	O	1				
C10	263005-3	RUBBER PIN 6		2				
D10		INC. 1						
A01	251314-2	+ SCREW M4X12		1				
A02A	346317-0	HOOK		1				
A02B	346449-3	HOOK		1				
A02C	346317-0	HOOK		1				
A02D	346317-0	HOOK		1				
A02H	346449-3	HOOK		1				
A03	784637-8	+/- BIT 2-45		1				
A04B	***DC18SD	DC18SD BATTERY CHARGER		1				
A04C	***DC18RC	DC18RC FAST CHARGER		1				
A04H	***DC18SD	DC18SD BATTERY CHARGER		1				
A05B	194513-2	BATTERY BL1815 SET		2				
A05C	194204-5	BATTERY BL1830 SET		2	*			
A05H	194513-2	BATTERY BL1815 SET		2				
A05-1C	194204-5	BATTERY BL1830 SET	O	2				
A06B	450128-8	BATTERY COVER		1				
A06C	450128-8	BATTERY COVER		1				
A06H	450128-8	BATTERY COVER		1				
A07B	824774-7	PLASTIC CARRYING CASE		1	*			

Model No. BDF459 CORDLESS DRIVER DRILL

Item	Parts No.	Description	I/C	Qty	N/O	Opt. 1	Opt. 2	Note
C10	324679-6	SHAFT		1	*			
C20	417724-5	LATCH		2	*			
C30	419216-0	HANDLE		1	*			
A07C	821550-0	CONNECTOR PLASTIC CASE (TYPE2)		1	*			
C10	453974-8	LATCH		4	*			
A07D	821550-0	CONNECTOR PLASTIC CASE (TYPE2)		1	*			
C10	453974-8	LATCH		4	*			
A07H	821550-0	CONNECTOR PLASTIC CASE (TYPE2)		1	*			
C10	453974-8	LATCH		4	*			
A07-1B	158597-4	PLASTIC CASE COMPLETE	<	1				
C10	324679-6	SHAFT		1				
C20	417724-5	LATCH		2				
C30	419216-0	HANDLE		1				
A07-1C	821550-0	CONNECTOR PLASTIC CASE (TYPE2)	<	1				
C10	453974-8	LATCH		4				
A07-1D	821550-0	CONNECTOR PLASTIC CASE (TYPE2)	<	1				
C10	453974-8	LATCH		4				
A07-1H	821550-0	CONNECTOR PLASTIC CASE (TYPE2)	<	1				
C10	453974-8	LATCH		4				
A08B	800D08-6	BDF459SHE PLASTIC CASE LABEL		2				
A08C	837679-2	INNER TRAY		1	*			
A08D	837679-2	INNER TRAY		1	*			
A08H	837863-9	INNER TRAY		1				
A08-1C	837916-4	INNER TRAY	<	1				
A08-1D	837916-4	INNER TRAY	<	1				
A09C	800N52-3	BDF459RFJ INDICATION LABEL		1				
A09D	800N54-9	BDF459ZJ INDICATION LABEL		1				
A09H	802E43-6	BDF459SHJ INDICATION LABEL		1				
A10C	800N53-1	BDF459RFJ PLASTIC CASE LABEL		2				
A10D	800N55-7	BDF459ZJ PLASTIC CASE LABEL		2				
A10H	802E44-4	BDF459SHJ PLASTIC CASE LABEL		2				

Please order the parts with a part number.