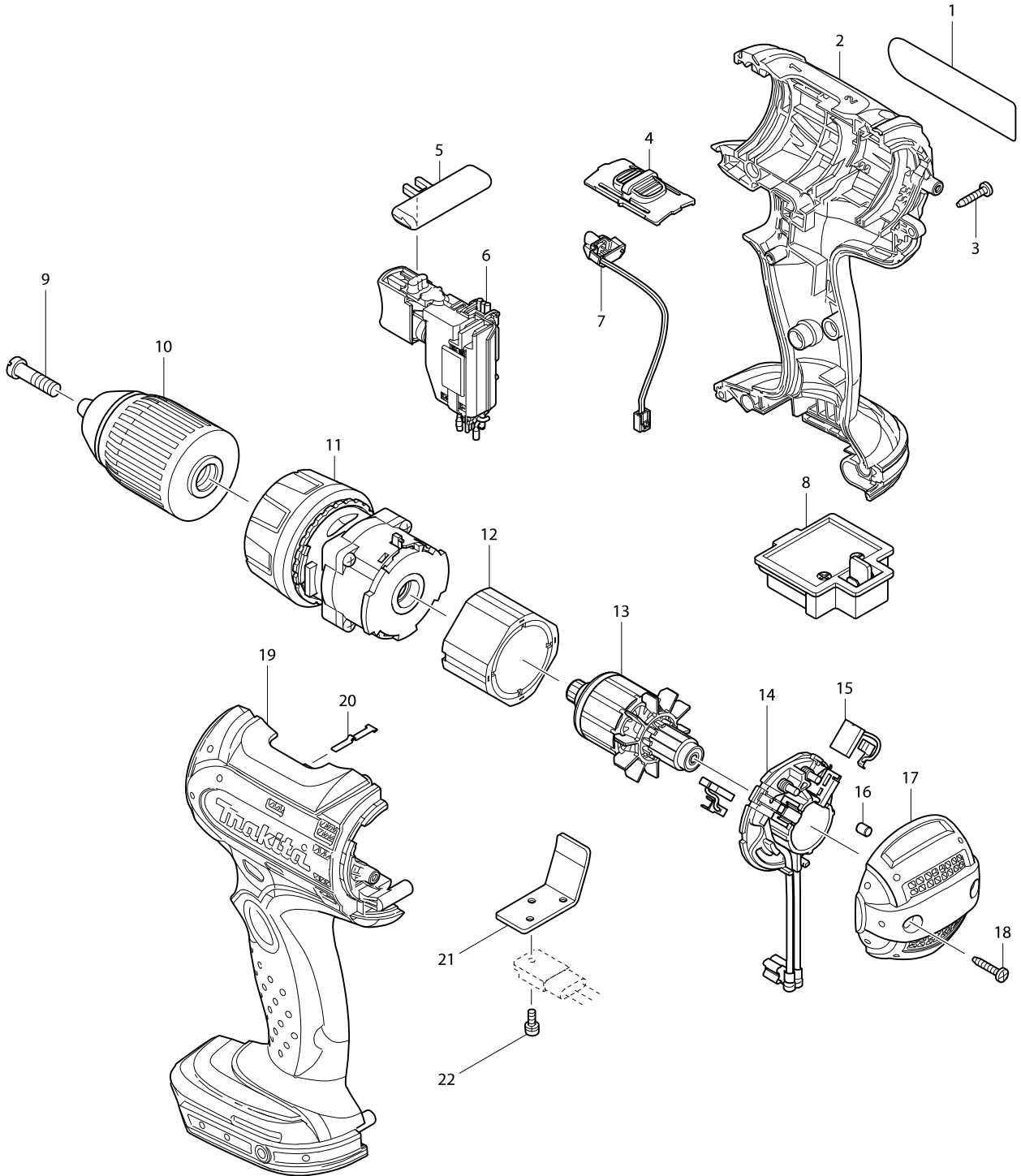


Model No. BDF452 CORDLESS DRIVER DRILL 13MM



Model No. BDF452 CORDLESS DRIVER DRILL 13MM

Item	Parts No.	Description	I/C	Qty	N/O	Opt. 1	Opt. 2	Note
001	862815-1	BDF452 NAME PLATE		1				
D10		INC. 19						
002A	188238-8	HOUSING SET		1				
002B	188270-2	HOUSING SET		1				
002C	188238-8	HOUSING SET		1				
002H	188238-8	HOUSING SET		1				
003	266130-9	TAPPING SCREW BIND PT 3X16		9				
004	125366-8	SPEED CHANGE LEVER ASS'Y		1				
C10	233438-6	COMPRESSION SPRING 4		2				
005	419250-0	F/R CHANGE LEVER		1				
006	650583-6	SWITCH C3HZ-1A-TLM		1				
007	631735-8	LED CIRCUIT		1				
008A	643812-4	TERMINAL		1	*			
008B	643812-4	TERMINAL		1	*			
008C	643812-4	TERMINAL		1	*			
008-1A	643844-1	TERMINAL	<	1				
008-1B	643844-1	TERMINAL	<	1				
008-1C	643844-1	TERMINAL	<	1				
008-1H	643844-1	TERMINAL		1				
009	251468-5	- FLAT HEAD SCREW M6X22		1				
010	763175-3	KEYLESS DRILL CHUCK 13		1	*			
010-1	766027-7	KEYLESS DRILL CHUCK 13	O	1				
011	125348-0	GEAR ASS'Y		1				
012A	638425-4	YOKE UNIT		1				
012B	638425-4	YOKE UNIT		1				
012C	638425-4	YOKE UNIT		1				
012H	638425-4	YOKE UNIT		1				
013	619198-8	ARMATURE		1				
014	638494-5	BRUSH HOLDER COMPLETE		1				
015A	194159-4	CARBON BRUSH CB-436		1	*			
015B	194159-4	CARBON BRUSH CB-436		1	*			
015C	194159-4	CARBON BRUSH CB-436		1	*			
015-1A	194427-5	CARBON BRUSH CB-440	<	1	*			
015-1B	194427-5	CARBON BRUSH CB-440	<	1	*			
015-1C	194427-5	CARBON BRUSH CB-440	<	1	*			
015-1H	194427-5	CARBON BRUSH CB-440		1	*			
015-2	194427-5	CARBON BRUSH CB-440	X	1				
016	263032-0	RUBBER PIN 4		2				
017A	419693-6	REAR COVER		1				
017B	419601-7	REAR COVER		1				
017C	419693-6	REAR COVER		1				
017H	419693-6	REAR COVER		1				
018	266130-9	TAPPING SCREW BIND PT 3X16		2				
D10		INC. 2						
019A	188238-8	HOUSING SET		1				
019B	188270-2	HOUSING SET		1				
019C	188238-8	HOUSING SET		1				
019H	188238-8	HOUSING SET		1				

Model No. BDF452 CORDLESS DRIVER DRILL 13MM

Item	Parts No.	Description	I/C	Qty	N/O	Opt. 1	Opt. 2	Note
020	232182-2	LEAF SPRING		1				
021	689150-0	HEAT SINK		1				
022	911006-2	PAN HEAD SCREW M3X8		1				
A01A	***DC18RA	DC18RA FAST CHARGER		1	*			
A01B	***DC18RA	DC18RA FAST CHARGER		1	*			
A01H	***DC18RA	DC18RA FAST CHARGER		1	*			
A01-1A	***DC18RC	DC18RC FAST CHARGER	<	1				
A01-1B	***DC18RC	DC18RC FAST CHARGER	<	1				
A01-1H	***DC18RC	DC18RC FAST CHARGER	<	1				
A02	784637-8	+ - BIT 2-45		1				
A03A	824774-7	PLASTIC CARRYING CASE		1	*			
C10	324679-6	SHAFT		1	*			
C20	417724-5	LATCH		2	*			
C30	419216-0	HANDLE		1	*			
A03B	824774-7	PLASTIC CARRYING CASE		1	*			
C10	324679-6	SHAFT		1	*			
C20	417724-5	LATCH		2	*			
C30	419216-0	HANDLE		1	*			
A03-1A	824754-3	PLASTIC CASE	O	1	*			
C10	419216-0	HANDLE		1	*			
C20	417724-5	LATCH		2	*			
C30	419268-1	PLASTIC CASE LID		1	*			
C40	419269-9	PLATE		5	*			
C50	324667-3	SHAFT		1	*			
A03-1B	824824-8	PLASTIC CARRYING CASE	O	1	*			
C10	324679-6	SHAFT		1	*			
C20	417724-5	LATCH		2	*			
C30	419216-0	HANDLE		1	*			
A03-1H	824754-3	PLASTIC CASE		1	*			
C10	419216-0	HANDLE		1	*			
C20	417724-5	LATCH		2	*			
C30	419268-1	PLASTIC CASE LID		1	*			
C40	419269-9	PLATE		5	*			
C50	324667-3	SHAFT		1	*			
A03-2A	140354-4	PLASTIC CASE COMPLETE	<	1				
C10	419216-0	HANDLE		1				
C20	417724-5	LATCH		2				
C30	419268-1	PLASTIC CASE LID		1				
C40	419269-9	PLATE		5				
C50	324667-3	SHAFT		1				
A03-2B	824774-7	PLASTIC CARRYING CASE	O	1	*			
C10	324679-6	SHAFT		1	*			
C20	417724-5	LATCH		2	*			
C30	419216-0	HANDLE		1	*			
A03-2H	140354-4	PLASTIC CASE COMPLETE	<	1				
C10	419216-0	HANDLE		1				
C20	417724-5	LATCH		2				
C30	419268-1	PLASTIC CASE LID		1				

Model No. BDF452 CORDLESS DRIVER DRILL 13MM

Item	Parts No.	Description	I/C	Qty	N/O	Opt. 1	Opt. 2	Note
C40	419269-9	PLATE		5				
C50	324667-3	SHAFT		1				
A03-3B	158597-4	PLASTIC CASE COMPLETE	<	1				
C10	324679-6	SHAFT		1				
C20	417724-5	LATCH		2				
C30	419216-0	HANDLE		1				
A04A	194204-5	BATTERY BL1830 SET		2	*			
A04B	194204-5	BATTERY BL1830 SET		2	*			
A04-1A	194204-5	BATTERY BL1830 SET	O	2	*			
A04-1B	194204-5	BATTERY BL1830 SET	O	2	*			
A04-2A	194204-5	BATTERY BL1830 SET	O	2	*			
A04-2B	194204-5	BATTERY BL1830 SET	O	2	*			
A04-3A	194204-5	BATTERY BL1830 SET	O	2	*			
A04-3B	194204-5	BATTERY BL1830 SET	O	2	*			
A04-3H	194204-5	BATTERY BL1830 SET		2	*			
A04-4A	194204-5	BATTERY BL1830 SET	O	2	*			
A04-4B	194204-5	BATTERY BL1830 SET	O	2	*			
A04-4H	194204-5	BATTERY BL1830 SET	O	2	*			
A04-5A	194204-5	BATTERY BL1830 SET	O	2	*			
A04-5B	194204-5	BATTERY BL1830 SET	O	2	*			
A04-5H	194204-5	BATTERY BL1830 SET	O	2	*			
A04-6A	197600-6	BATTERY BL1830B SET	<	2				
A04-6B	197600-6	BATTERY BL1830B SET	<	2				
A04-6H	197600-6	BATTERY BL1830B SET	<	2				
A05A	805085-9	BDF452RFE PLASTIC CASE LABEL		1	*			
A05B	805084-1	BDF452RFEW PLASTIC CASE LABEL		1				
A05H	891918-4	BDF452RFLE PLASTIC CASE LABEL		1				
A05-1A	806016-1	BDF452RFE PLASTIC CASE LABEL	O	1	*			
A05-2A	808846-6	BDF452RFE PLASTIC CASE LABEL	O	1				
A06A	450128-8	BATTERY COVER		1				
A06B	450128-8	BATTERY COVER		1				
A06H	450128-8	BATTERY COVER		1				
A07H	STEXBML185	RECHARGEABLE JOB SITE LIGHT		1	*			
D10		INC. A08,A09			*			
A07-1H	DEADML185	RECHARGEABLE FLASHLIGHT	<	1				
D10		INC. A08,A09						
A08H	345261-8	HOOK PLATE		2				
A09H	417926-3	STRAP G0970200500		1				
E01	324705-1	HOOK		1	*			
E01-1	346317-0	HOOK	O	1				
E02	251314-2	+ SCREW M4X12		1				