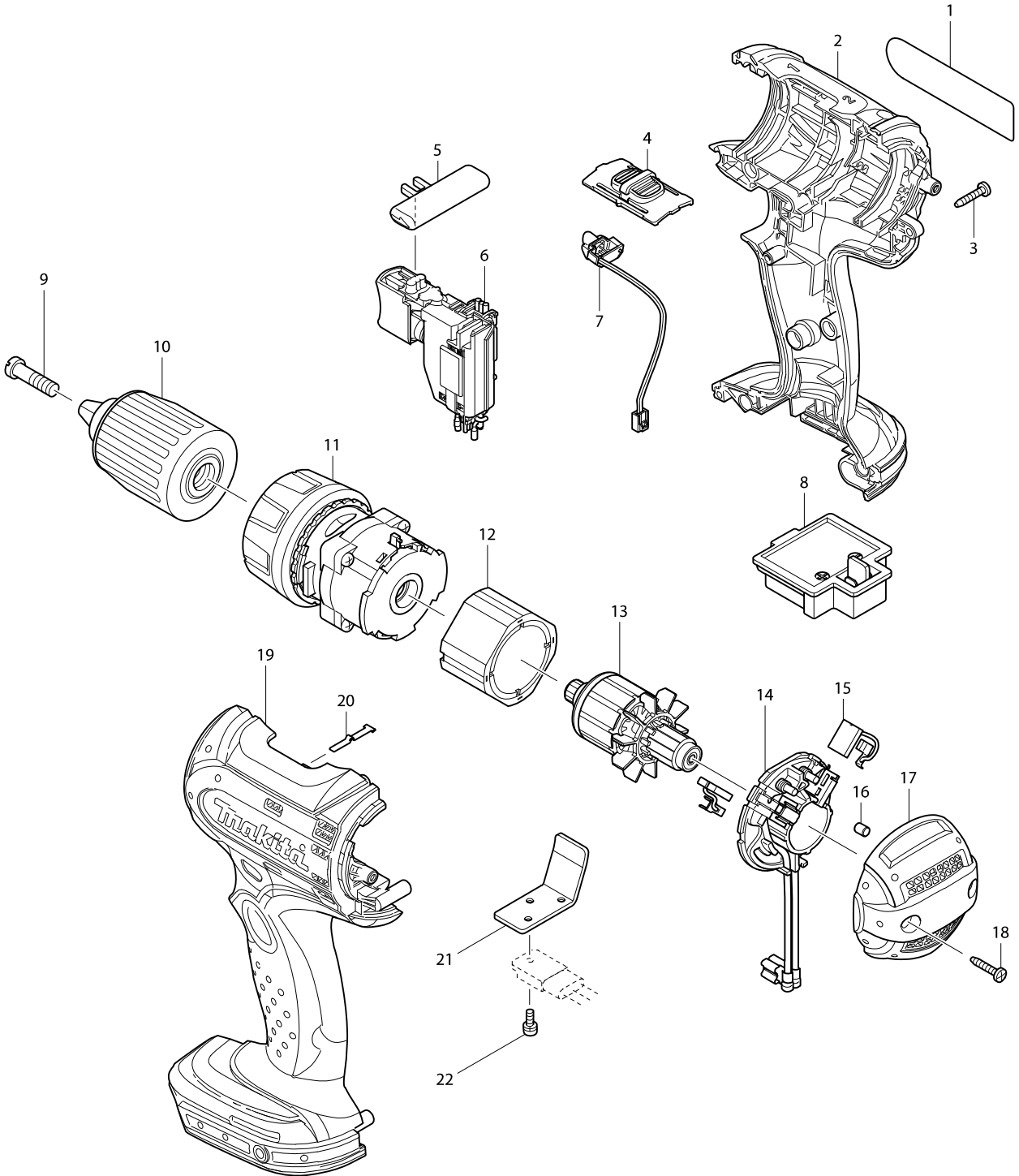


Model No. BDF442 CORDLESS DRIVER DRILL 13MM



Model No. BDF442 CORDLESS DRIVER DRILL 13MM

Item	Parts No.	Description	I/C	Qty	N/O	Opt. 1	Opt. 2	Note
001	863187-7	BDF442 NAME PLATE		1				
D10		INC. 19						
002A	188217-6	HOUSING SET		1				
002B	188280-9	HOUSING SET		1				
002C	188217-6	HOUSING SET		1				
002D	188217-6	HOUSING SET		1				
003	266130-9	TAPPING SCREW BIND PT 3X16		9				
004	125366-8	SPEED CHANGE LEVER ASS'Y		1				
C10	233438-6	COMPRESSION SPRING 4		2				
005	419250-0	F/R CHANGE LEVER		1				
006	650583-6	SWITCH C3HZ-1A-TLM		1				
007	631735-8	LED CIRCUIT		1				
008A	643811-6	TERMINAL		1	*			
008B	643811-6	TERMINAL		1	*			
008C	643811-6	TERMINAL		1	*			
008-1A	643847-5	TERMINAL	O	1				
008-1B	643847-5	TERMINAL	O	1				
008-1C	643847-5	TERMINAL	O	1				
008-1D	643847-5	TERMINAL		1				
009	251468-5	- FLAT HEAD SCREW M6X22		1				
010	763175-3	KEYLESS DRILL CHUCK 13		1				
011	125348-0	GEAR ASS'Y		1				
012	638425-4	YOKE UNIT		1				
013	619196-2	ARMATURE		1				
014	638494-5	BRUSH HOLDER COMPLETE		1				
015A	194159-4	CARBON BRUSH CB-436		1	*			
015B	194159-4	CARBON BRUSH CB-436		1	*			
015C	194159-4	CARBON BRUSH CB-436		1	*			
015-1A	194427-5	CARBON BRUSH CB-440	<	1	*			
015-1B	194427-5	CARBON BRUSH CB-440	<	1	*			
015-1C	194427-5	CARBON BRUSH CB-440	<	1	*			
015-1D	194427-5	CARBON BRUSH CB-440		1	*			
015-2	194427-5	CARBON BRUSH CB-440	X	1				
016	263032-0	RUBBER PIN 4		2				
017A	419693-6	REAR COVER		1				
017B	419601-7	REAR COVER		1				
017C	419693-6	REAR COVER		1				
017D	419693-6	REAR COVER		1				
018	266130-9	TAPPING SCREW BIND PT 3X16		2				
D10		INC. 2						
019A	188217-6	HOUSING SET		1				
019B	188280-9	HOUSING SET		1				
019C	188217-6	HOUSING SET		1				
019D	188217-6	HOUSING SET		1				
020	232182-2	LEAF SPRING		1				
021	689150-0	HEAT SINK		1				
022	911006-2	PAN HEAD SCREW M3X8		1				
A01A	***DC18RA	DC18RA FAST CHARGER		1	*			

Model No. BDF442 CORDLESS DRIVER DRILL 13MM

Item	Parts No.	Description	I/C	Qty	N/O	Opt. 1	Opt. 2	Note
A01B	***DC18RA	DC18RA FAST CHARGER		1	*			
A01D	***DC18SD	DC18SD BATTERY CHARGER		1				
A01-1A	***DC18RC	DC18RC FAST CHARGER	<	1				
A01-1B	***DC18RC	DC18RC FAST CHARGER	<	1				
A02	784637-8	+/- BIT 2-45		1				
A03A	824774-7	PLASTIC CARRYING CASE		1	*			
C10	324679-6	SHAFT		1	*			
C20	417724-5	LATCH		2	*			
C30	419216-0	HANDLE		1	*			
A03B	824774-7	PLASTIC CARRYING CASE		1	*			
C10	324679-6	SHAFT		1	*			
C20	417724-5	LATCH		2	*			
C30	419216-0	HANDLE		1	*			
A03D	140354-4	PLASTIC CASE COMPLETE		1				
C10	419216-0	HANDLE		1				
C20	417724-5	LATCH		2				
C30	419268-1	PLASTIC CASE LID		1				
C40	419269-9	PLATE		5				
C50	324667-3	SHAFT		1				
A03-1A	824754-3	PLASTIC CASE	O	1	*			
C10	419216-0	HANDLE		1	*			
C20	417724-5	LATCH		2	*			
C30	419268-1	PLASTIC CASE LID		1	*			
C40	419269-9	PLATE		5	*			
C50	324667-3	SHAFT		1	*			
A03-1B	824824-8	PLASTIC CARRYING CASE	O	1	*			
C10	324679-6	SHAFT		1	*			
C20	417724-5	LATCH		2	*			
C30	419216-0	HANDLE		1	*			
A03-2A	140354-4	PLASTIC CASE COMPLETE	<	1				
C10	419216-0	HANDLE		1				
C20	417724-5	LATCH		2				
C30	419268-1	PLASTIC CASE LID		1				
C40	419269-9	PLATE		5				
C50	324667-3	SHAFT		1				
A03-2B	824774-7	PLASTIC CARRYING CASE	O	1	*			
C10	324679-6	SHAFT		1	*			
C20	417724-5	LATCH		2	*			
C30	419216-0	HANDLE		1	*			
A03-3B	158597-4	PLASTIC CASE COMPLETE	<	1				
C10	324679-6	SHAFT		1				
C20	417724-5	LATCH		2				
C30	419216-0	HANDLE		1				
A04A	194065-3	BATTERY BL1430 SET		2	*			
A04B	194065-3	BATTERY BL1430 SET		2	*			
A04-1A	194065-3	BATTERY BL1430 SET	O	2	*			
A04-1B	194065-3	BATTERY BL1430 SET	O	2	*			
A04-2A	194065-3	BATTERY BL1430 SET	O	2	*			

