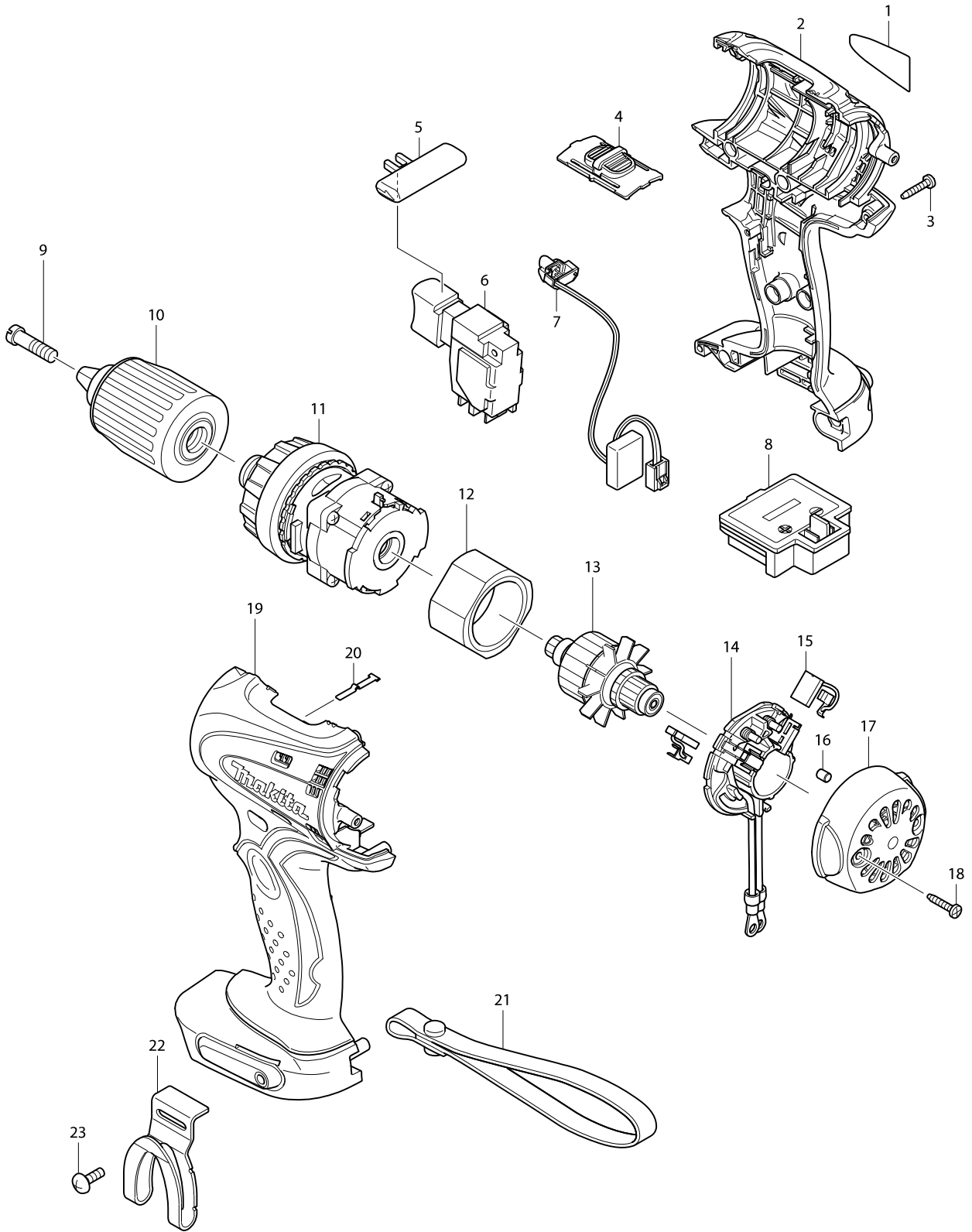


# Model No. BDF440 CORDLESS DRIVER DRILL 13MM



# Model No. BDF440 CORDLESS DRIVER DRILL 13MM

Item	Parts No.	Description	I/C	Qty	N/O	Opt. 1	Opt. 2	Note
001	861664-3	BDF440 NAME PLATE		1				
002A	188000-1	HOUSING SET		1	*			
D10		INC. 19			*			
002B	188000-1	HOUSING SET		1	*			
D10		INC. 19			*			
002C	188232-0	HOUSING SET		1				
D10		INC. 19						
002-1A	188266-3	HOUSING SET	O	1				
D10		INC. 19						
002-1B	188266-3	HOUSING SET	O	1				
D10		INC. 19						
003	266130-9	TAPPING SCREW BIND PT 3X16		9				
004	125310-5	SPEED CHANGE LEVER ASS'Y		1				
C10	231433-0	COMPRESSION SPRING 4		2				
005	419041-9	F/R CHANGE LEVER		1				
006	650569-0	SWITCH TG553FSB-3		1				
007	631631-0	LIGHT CIRCUIT		1				
008	643811-6	TERMINAL		1				
009	251464-3	- FLAT HEAD SCREW M6X22		1				
010	763175-3	KEYLESS DRILL CHUCK 13		1	*			
010-1	766027-7	KEYLESS DRILL CHUCK 13	O	1				
011	125182-8	GEAR ASS'Y		1				
012	638423-8	YOKE UNIT		1				
013	619161-1	ARMATURE		1				
014	638424-6	BRUSH HOLDER COMPLETE		1	*			
C10	231696-8	TORSION SPRING R		1	*			
C20	231697-6	TORSION SPRING L		1	*			
014-1	638857-5	BRUSH HOLDER COMPLETE	<	1				
C10	231696-8	TORSION SPRING R		1				
C20	231697-6	TORSION SPRING L		1				
C30	688161-2	LINE FILTER		1				
015	194159-4	CARBON BRUSH CB-436		1	*			
015-1	194427-5	CARBON BRUSH CB-440	<	1	*			
015-2	194427-5	CARBON BRUSH CB-440	X	1				
016	263032-0	RUBBER PIN 4		2				
017A	418981-8	REAR COVER		1				
017B	418981-8	REAR COVER		1				
017C	418982-6	REAR COVER		1				
018	266130-9	TAPPING SCREW BIND PT 3X16		2				
019A	188000-1	HOUSING SET		1	*			
D10		INC. 2			*			
019B	188000-1	HOUSING SET		1	*			
D10		INC. 2			*			
019C	188232-0	HOUSING SET		1				
D10		INC. 2						
019-1A	188266-3	HOUSING SET	O	1				
D10		INC. 2						
019-1B	188266-3	HOUSING SET	O	1				

Item	Parts No.	Description	I/C	Qty	N/O	Opt. 1	Opt. 2	Note
D10		INC. 2						
020	232182-2	LEAF SPRING		1				
022	324553-8	HOOK		1	*			
022-1	324705-1	HOOK	O	1	*			
022-2	346317-0	HOOK	O	1				
023	251314-2	+ SCREW M4X12		1				
A01A	***DC14SC	DC14SC CHARGER		1	*			
A01B	***DC18RA	DC18RA FAST CHARGER		1	*			
A01C	***DC18RA	DC18RA FAST CHARGER		1	*			
A01-1A	***DC18SC	DC18SC CHARGER	<	1				
A01-1B	***DC18RC	DC18RC FAST CHARGER	<	1				
A01-1C	***DC18RC	DC18RC FAST CHARGER	<	1				
A02	194065-3	BATTERY BL1430 SET		2	*			
A02-1	194065-3	BATTERY BL1430 SET	<	2	*			
A02-2	194065-3	BATTERY BL1430 SET	O	2	*			
A02-3	194065-3	BATTERY BL1430 SET	O	2	*			
A02-4	194065-3	BATTERY BL1430 SET	O	2	*			
A02-5	194065-3	BATTERY BL1430 SET	O	2	*			
A02-6	194065-3	BATTERY BL1430 SET	O	2	*			
A02-7	194065-3	BATTERY BL1430 SET	O	2	*			
A02-8	194065-3	BATTERY BL1430 SET	O	2	*			
A02-9	197616-1	BATTERY BL1430B SET	<	2				
A03	784203-1	PHILLIPS BIT 2-65		1	*			
A03-1	784203-1	PHILLIPS BIT 2-65	O	1				
A04	824753-5	PLASTIC CARRYING CASE		1	*			
C10	324207-7	SHAFT		1	*			
C20	413098-2	PLATE		4	*			
C30	417724-5	LATCH		2	*			
C40	419215-2	PLASTIC CASE LID		1	*			
C50	419216-0	HANDLE		1	*			
A04-1	824753-5	PLASTIC CARRYING CASE	O	1	*			
C10	324207-7	SHAFT		1	*			
C20	413098-2	PLATE		4	*			
C30	417724-5	LATCH		2	*			
C40	419215-2	PLASTIC CASE LID		1	*			
C50	419216-0	HANDLE		1	*			
A04-2	158210-4	PLASTIC CARRYING CASE COMPLETE	<	1	*			
C10	324207-7	SHAFT		1	*			
C20	413098-2	PLATE		4	*			
C30	417724-5	LATCH		2	*			
C40	419215-2	PLASTIC CASE LID		1	*			
C50	419216-0	HANDLE		1	*			
A04-3A	824753-5	PLASTIC CARRYING CASE	O	1				
C10	324207-7	SHAFT		1				
C20	413098-2	PLATE		4				
C30	417724-5	LATCH		2				
C40	419215-2	PLASTIC CASE LID		1				
C50	419216-0	HANDLE		1				

# Model No. BDF440 CORDLESS DRIVER DRILL 13MM

Item	Parts No.	Description	I/C	Qty	N/O	Opt. 1	Opt. 2	Note
A04-3B	824753-5	PLASTIC CARRYING CASE	O	1	*			
C10	324207-7	SHAFT		1	*			
C20	413098-2	PLATE		4	*			
C30	417724-5	LATCH		2	*			
C40	419215-2	PLASTIC CASE LID		1	*			
C50	419216-0	HANDLE		1	*			
A04-3C	824753-5	PLASTIC CARRYING CASE	O	1	*			
C10	324207-7	SHAFT		1	*			
C20	413098-2	PLATE		4	*			
C30	417724-5	LATCH		2	*			
C40	419215-2	PLASTIC CASE LID		1	*			
C50	419216-0	HANDLE		1	*			
A04-4B	824754-3	PLASTIC CASE	O	1	*			
C10	419216-0	HANDLE		1	*			
C20	417724-5	LATCH		2	*			
C30	419268-1	PLASTIC CASE LID		1	*			
C40	419269-9	PLATE		5	*			
C50	324667-3	SHAFT		1	*			
A04-4C	141205-4	PLASTIC CARRYING CASE	<	1				
C10	324207-7	SHAFT		1				
C20	413098-2	PLATE		4				
C30	417724-5	LATCH		2				
C40	419215-2	PLASTIC CASE LID		1				
C50	419216-0	HANDLE		1				
A04-5B	140354-4	PLASTIC CASE COMPLETE	<	1				
C10	419216-0	HANDLE		1				
C20	417724-5	LATCH		2				
C30	419268-1	PLASTIC CASE LID		1				
C40	419269-9	PLATE		5				
C50	324667-3	SHAFT		1				
A05A	803594-2	BDF440SFE PLASTIC CASE LABEL		1				
A05B	804808-2	BDF440RFE PLASTIC CASE LABEL		1	*			
A05C	805117-2	BDF440RFEW PLASTIC CASE LABEL		1				
A05-1B	808838-5	BDF440RFE PLASTIC CASE LABEL	O	1				
A06A	803840-3	BDF440SFE MODEL NO. LABEL		1	*			
A06B	804809-0	BDF440RFE MODEL NO. LABEL		1	*			
A06C	805118-0	BDF440RFEW MODEL NO. LABEL		1	*			
A07	450128-8	BATTERY COVER		1				