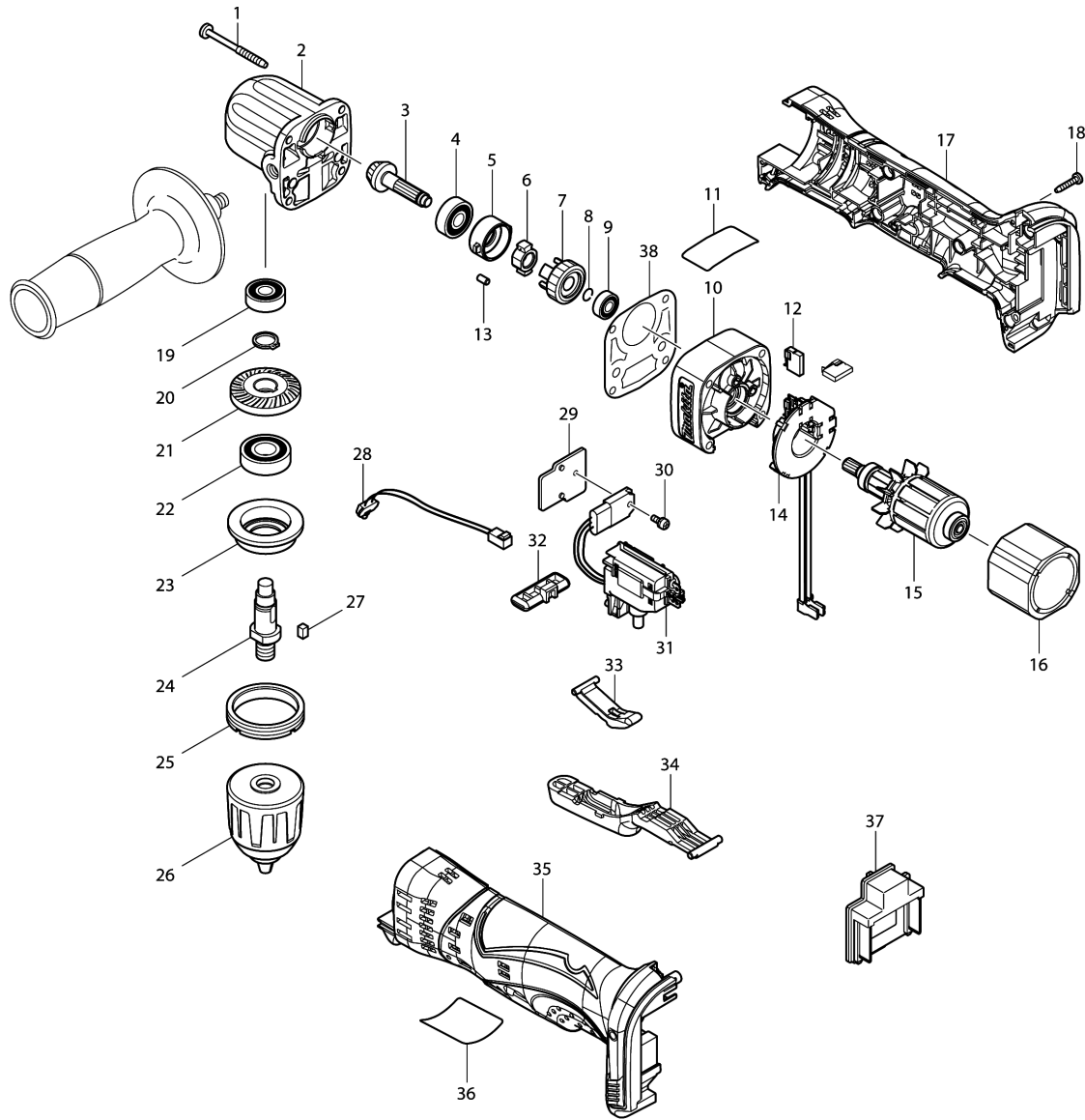


### Model No.BDA341 CORDLESS ANGLE DRILL 10MM





## Model No.BDA341 CORDLESS ANGLE DRILL 10MM

Item	Parts No.	Description	I/C	Qty	New/Old	Opt. 1	Opt. 2	Note
001	266069-6	TAPPING SCREW 4X45		4				
002	317634-5	GEAR HOUSING		1				
003	227538-2	SPIRAL BEVEL GEAR 9		1				
004	210029-0	BALL BEARING 608ZZ		1				
005	324930-4	LOCK RING		1				
006	331647-2	LOCK CAM		1				
007	227221-1	SPUR GEAR 29		1				
008	231956-8	RING SPRING 6		1				
009	210033-9	BALL BEARING 696ZZ		1				
010	450607-6	GEAR HOUSING COVER		1				
012-1	194427-5	CARBON BRUSH CB-440		1				
013	268100-4	PIN 3.5		2				
014-2	539202-6	BRUSH HOLDER ASSY		1				
D10		INC. 12						
015	619232-4	ARMATURE		1				
016	638613-3	YOKE UNIT		1				
017-1	187129-0	HOUSING SET		1				
D10		INC. 35						
018	266130-9	TAPPING SCREW BIND PT 3X16		5				
019	210029-0	BALL BEARING 608ZZ		1				
020	961052-5	RETAINING RING S-12		1				
021	227537-4	SPIRAL BEVEL GEAR 26		1				
022	211131-2	BALL BEARING 6001DDW		1				
023	317633-7	BEARING BOX		1				
024	324329-3	SPINDLE		1				
025	285842-5	BEARING RETAINER 36-43		1				
026	766005-7	KEYLESS DRILL CHUCK 10		1				
027	254201-4	KEY 4		1				
028	631814-2	LED CIRCUIT		1				
029	689098-6	HEAT SINK		1				
030	911006-2	PAN HEAD SCREW M3X8		1				
031-1	638880-0	SWITCH UNIT		1	*			
031-2	632B90-3	SWITCH UNIT	<	1				
032	450610-7	F/R CHANGE LEVER		1				
033	450609-2	LINK		1				
034	450608-4	SWITCH LAVER		1				
035-1	187129-0	HOUSING SET		1				
D10		INC. 17						
036	865496-0	BDA341 NAME PLATE		1				
037-1	643867-9	TERMINAL		1				
038	418036-9	GASKET		1				
A01	153489-2	GRIP 36 COMPLETE		1				

Please order the parts with part number.

Print Date 19/6/2019

## Model No.BDA341 CORDLESS ANGLE DRILL 10MM

Item	Parts No.	Description	I/C	Qty	New/Old	Opt. 1	Opt. 2	Note
A02-1A	***DC18RC	DC18RC FAST CHARGER		1				
A03-2A	194065-3	BATTERY BL1430 SET		2	*			
A03-3A	194065-3	BATTERY BL1430 SET	O	2	*			
A03-4A	197616-1	BATTERY BL1430B SET	<	2	*			
A03-5A	197616-1	BATTERY BL1430B SET	O	2				
A04A	450128-8	BATTERY COVER		1				
A05	821550-0	CONNECTOR PLASTIC CASE (TYPE2)		1	*			
C10	453974-8	LATCH		4	*			
A05-1	821550-0	CONNECTOR PLASTIC CASE (TYPE2)	<	1				
C10	453974-8	LATCH		4				
A06	837629-7	INNER TRAY		1	*			
A06-1	838040-6	INNER TRAY	<	1				
A07A	800V30-1	BDA341RFJ INDICATION LABEL		1				
A07B	800V32-7	BDA341ZJ INDICATION LABEL		1				
A08A	800V31-9	BDA341RFJ PLASTIC CASE LABEL		2				
A08B	800V33-5	BDA341ZJ PLASTIC CASE LABEL		2				

Please order the parts with part number.

Print Date 19/6/2019