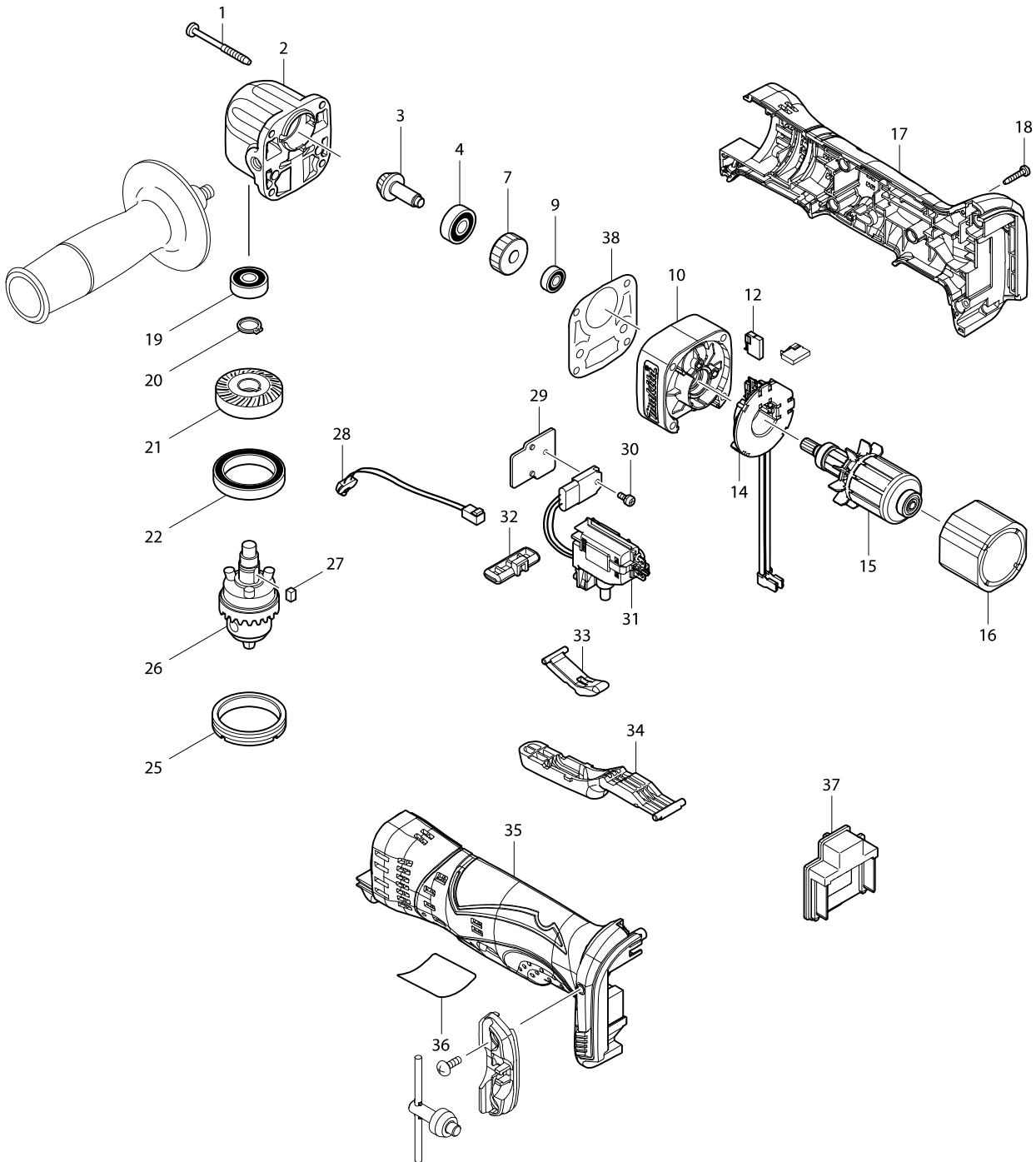


Model No. BDA340 CORDLESS ANGLE DRILL 10MM



Model No. BDA340 CORDLESS ANGLE DRILL 10MM

Item	Parts No.	Description	I/C	Qty	N/O	Opt. 1	Opt. 2	Note
001	266069-6	TAPPING SCREW 4X45		4				
002	317635-3	GEAR HOUSING		1				
003	227436-0	SPIRAL BEVEL GEAR 9		1				
004	210029-0	BALL BEARING 608ZZ		1				
007	227230-0	SPUR GEAR 29		1				
009	210033-9	BALL BEARING 696ZZ		1				
010	450607-6	GEAR HOUSING COVER		1				
012A	194427-5	CARBON BRUSH CB-440		1	*			
012B	194427-5	CARBON BRUSH CB-440		1	*			
012-1A	194427-5	CARBON BRUSH CB-440	X	1				
012-1B	194427-5	CARBON BRUSH CB-440	X	1				
012-1C	194427-5	CARBON BRUSH CB-440		1				
012-1D	194427-5	CARBON BRUSH CB-440		1				
014A	638615-9	BRUSH HOLDER COMPLETE		1	*			
014B	638615-9	BRUSH HOLDER COMPLETE		1	*			
014-1A	539189-2	BRUSH HOLDER ASSY	<	1	*			
D10		INC. 12			*			
014-1B	539189-2	BRUSH HOLDER ASSY	<	1	*			
D10		INC. 12			*			
014-2A	539202-6	BRUSH HOLDER ASSY	X	1				
D10		INC. 12						
014-2B	539202-6	BRUSH HOLDER ASSY	X	1				
D10		INC. 12						
014-2C	539202-6	BRUSH HOLDER ASSY		1				
D10		INC. 12						
014-2D	539202-6	BRUSH HOLDER ASSY		1				
D10		INC. 12						
015	619232-4	ARMATURE		1				
016	638613-3	YOKE UNIT		1				
017A	188534-4	HOUSING SET		1	*			
D10		INC. 35			*			
017B	188534-4	HOUSING SET		1	*			
D10		INC. 35			*			
017-1A	187129-0	HOUSING SET	X	1				
D10		INC. 35						
017-1B	187129-0	HOUSING SET	X	1				
D10		INC. 35						
017-1C	187129-0	HOUSING SET		1				
D10		INC. 35						
017-1D	187129-0	HOUSING SET		1				
D10		INC. 35						
018	266130-9	TAPPING SCREW BIND PT 3X16		5				
019	210029-0	BALL BEARING 608ZZ		1				
020	961052-5	RETAINING RING S-12		1				
021	227536-6	SPIRAL BEVEL GEAR 26		1				
022	211423-9	BALL BEARING 6806DDW		1				
025	285842-5	BEARING RETAINER 36-43		1				
026	763174-5	DRILL CHUCK S10		1				

Model No. BDA340 CORDLESS ANGLE DRILL 10MM

Item	Parts No.	Description	I/C	Qty	N/O	Opt. 1	Opt. 2	Note
027	254201-4	KEY 4		1				
028	631814-2	LED CIRCUIT		1				
029	689098-6	HEAT SINK		1				
030	911006-2	PAN HEAD SCREW M3X8		1				
031A	650606-0	SWITCH C3HZ-1A-TPLM		1	*			
031B	650606-0	SWITCH C3HZ-1A-TPLM		1	*			
031-1A	638880-0	SWITCH UNIT	X	1	*			
031-1B	638880-0	SWITCH UNIT	X	1	*			
031-1C	638880-0	SWITCH UNIT		1	*			
031-1D	638880-0	SWITCH UNIT		1	*			
031-2	632B90-3	SWITCH UNIT	<	1				
032	450610-7	F/R CHANGE LEVER		1				
033	450609-2	LINK		1				
034	450608-4	SWITCH LAVER		1				
035A	188534-4	HOUSING SET		1	*			
D10		INC. 17			*			
035B	188534-4	HOUSING SET		1	*			
D10		INC. 17			*			
035-1A	187129-0	HOUSING SET	X	1				
D10		INC. 17						
035-1B	187129-0	HOUSING SET	X	1				
D10		INC. 17						
035-1C	187129-0	HOUSING SET		1				
D10		INC. 17						
035-1D	187129-0	HOUSING SET		1				
D10		INC. 17						
036	865491-0	BDA340 NAME PLATE		1				
037A	643811-6	TERMINAL		1	*			
037B	643811-6	TERMINAL		1	*			
037-1A	643867-9	TERMINAL	X	1				
037-1B	643867-9	TERMINAL	X	1				
037-1C	643867-9	TERMINAL		1				
037-1D	643867-9	TERMINAL		1				
038	418036-9	GASKET		1				
A01	153489-2	GRIP 36 COMPLETE		1				
A02	251314-2	+ SCREW M4X12		1				
A03	450688-0	KEY HOLDER		1				
A04	763415-9	CHUCK KEY S10		1				
A05B	***DC18RA	DC18RA FAST CHARGER		1	*			
A05-1B	***DC18RC	DC18RC FAST CHARGER	<	1				
A05-1C	***DC18RC	DC18RC FAST CHARGER		1				
A06B	194065-3	BATTERY BL1430 SET		2	*			
A06-1B	194065-3	BATTERY BL1430 SET	O	2	*			
A06-2B	194065-3	BATTERY BL1430 SET	O	2	*			
A06-3B	194065-3	BATTERY BL1430 SET	O	2	*			
A06-3C	194065-3	BATTERY BL1430 SET		2	*			
A06-4B	194065-3	BATTERY BL1430 SET	O	2	*			
A06-4C	194065-3	BATTERY BL1430 SET	O	2	*			

