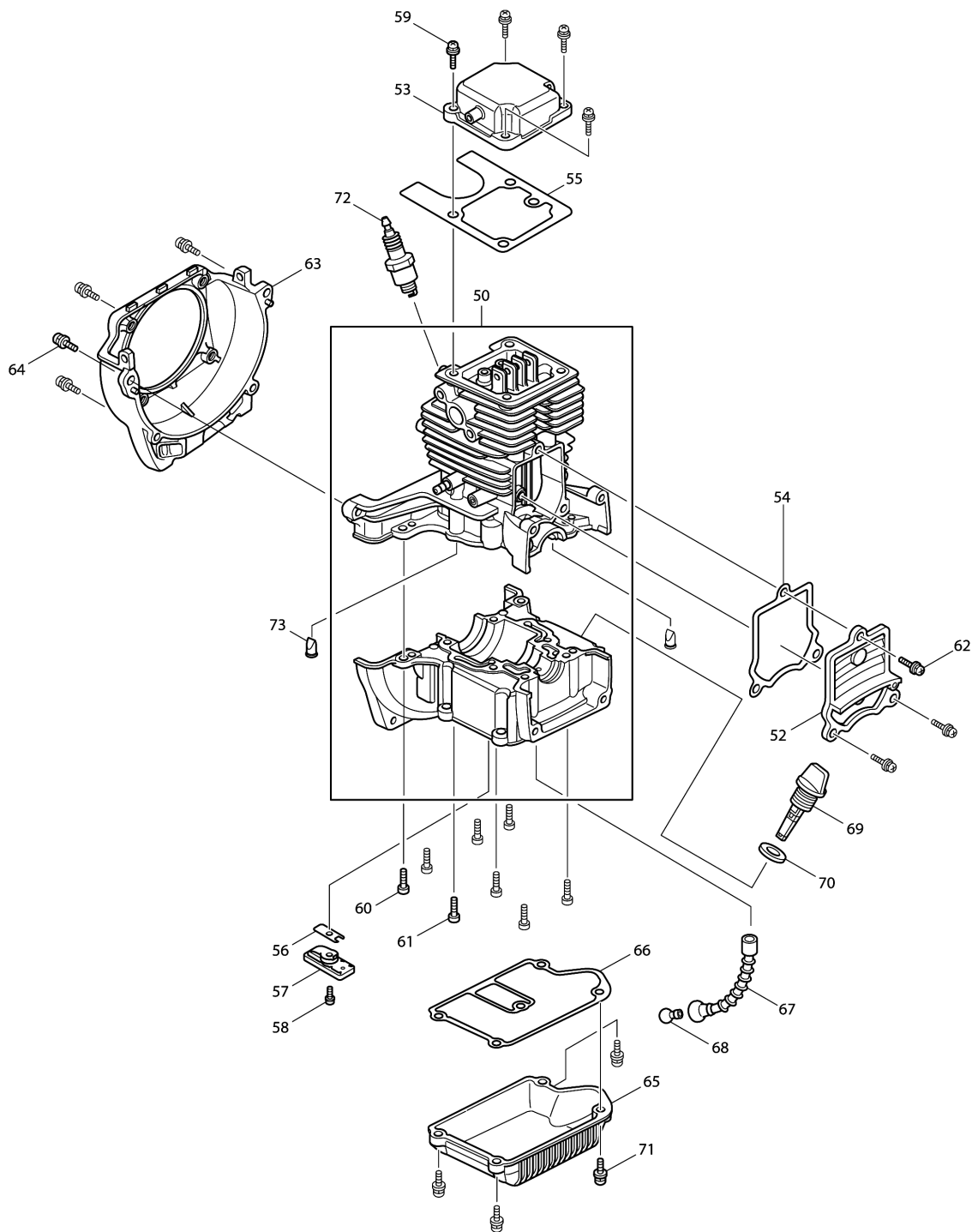
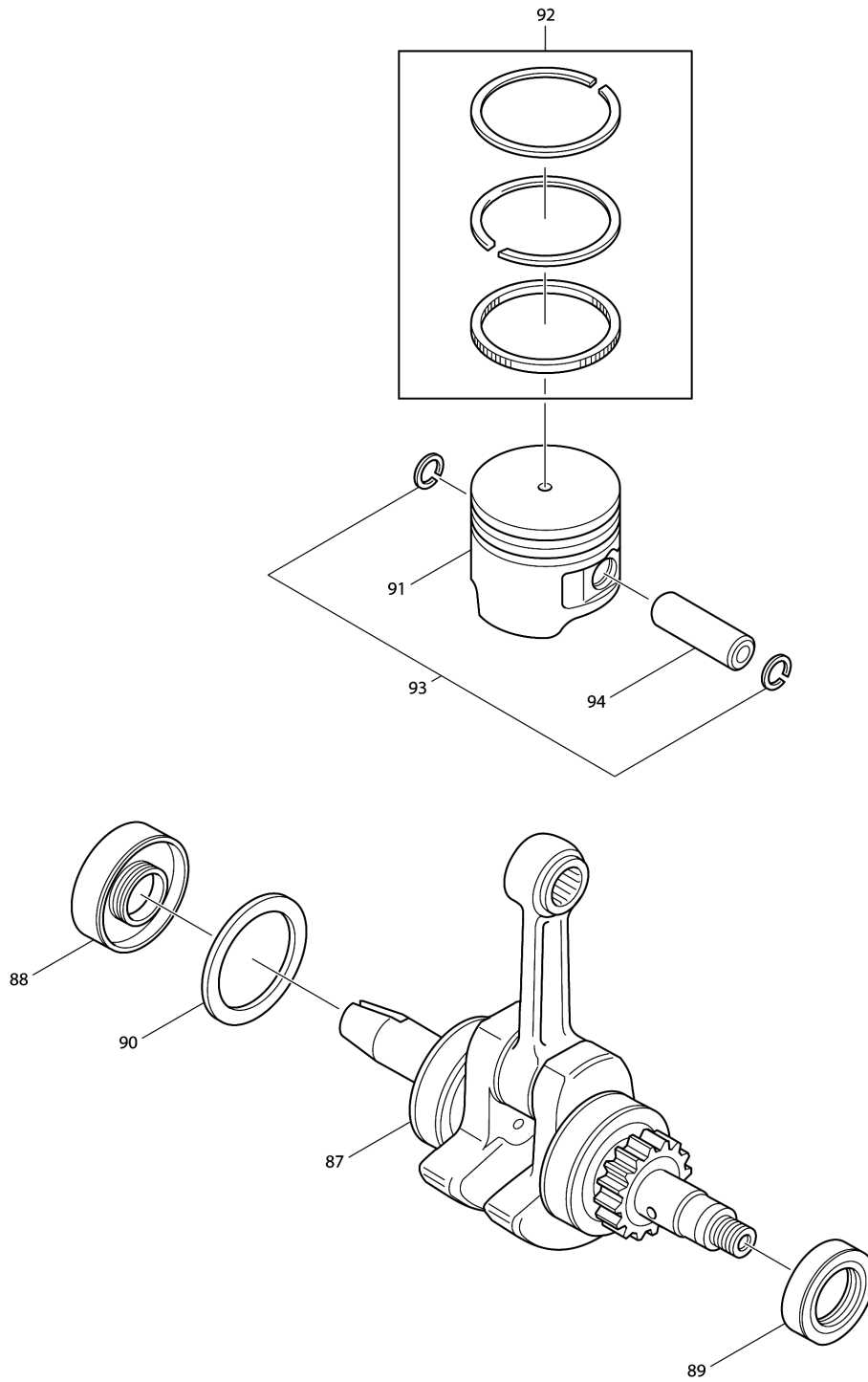


# Model No.BCX3400 BRUSH CUTTER



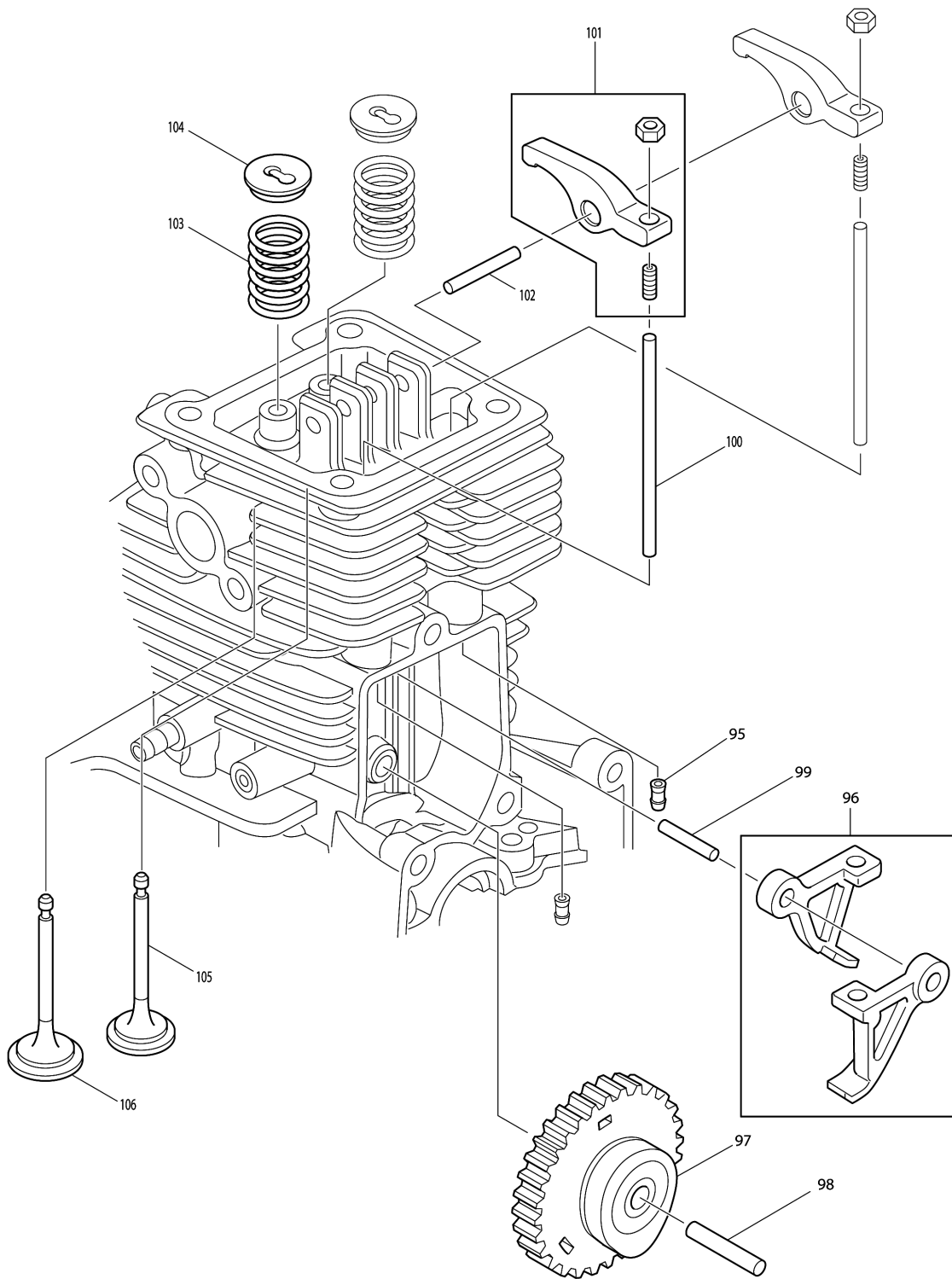


Model No.BCX3400 BRUSH CUTTER



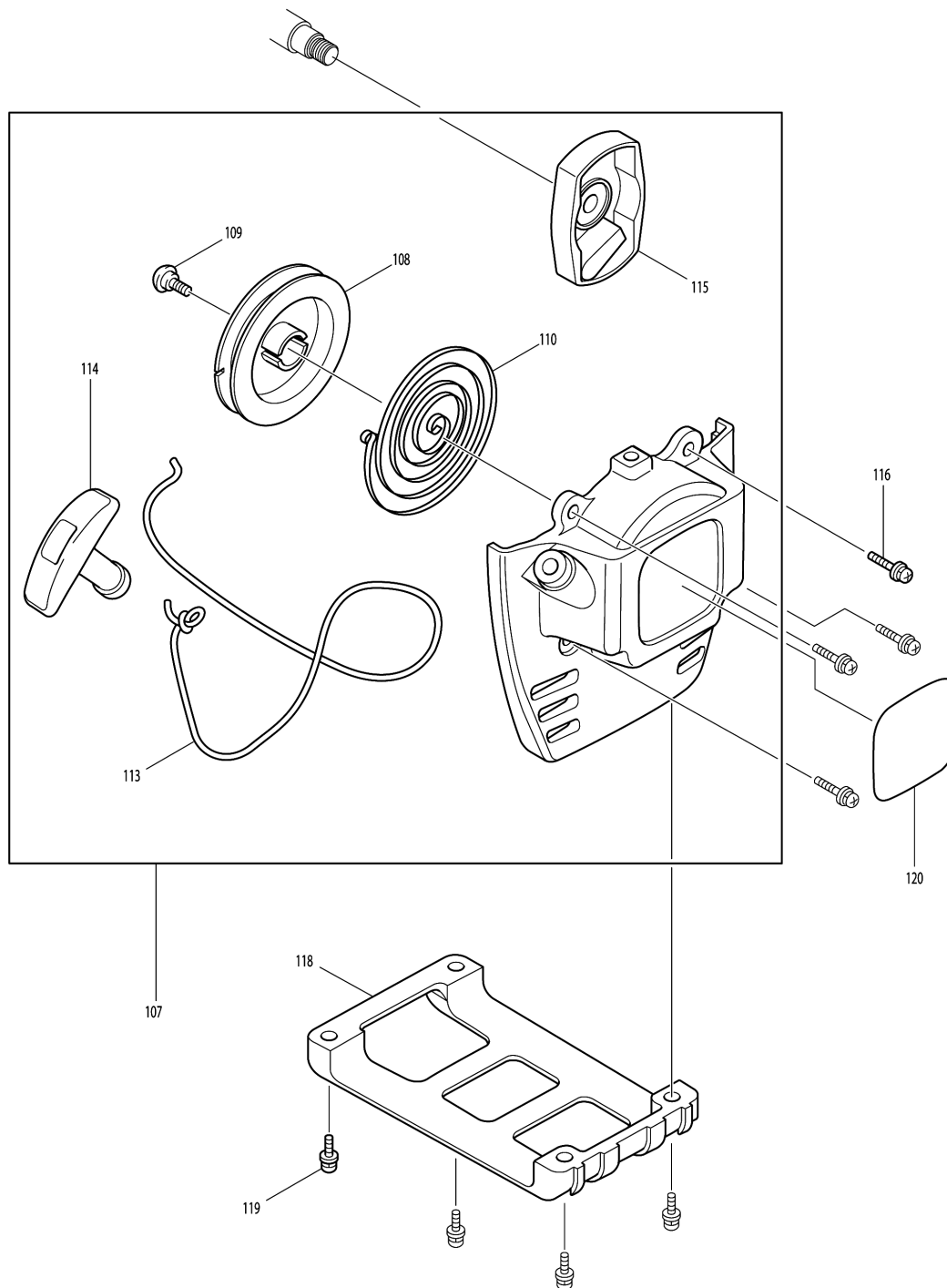


# Model No.BCX3400 BRUSH CUTTER





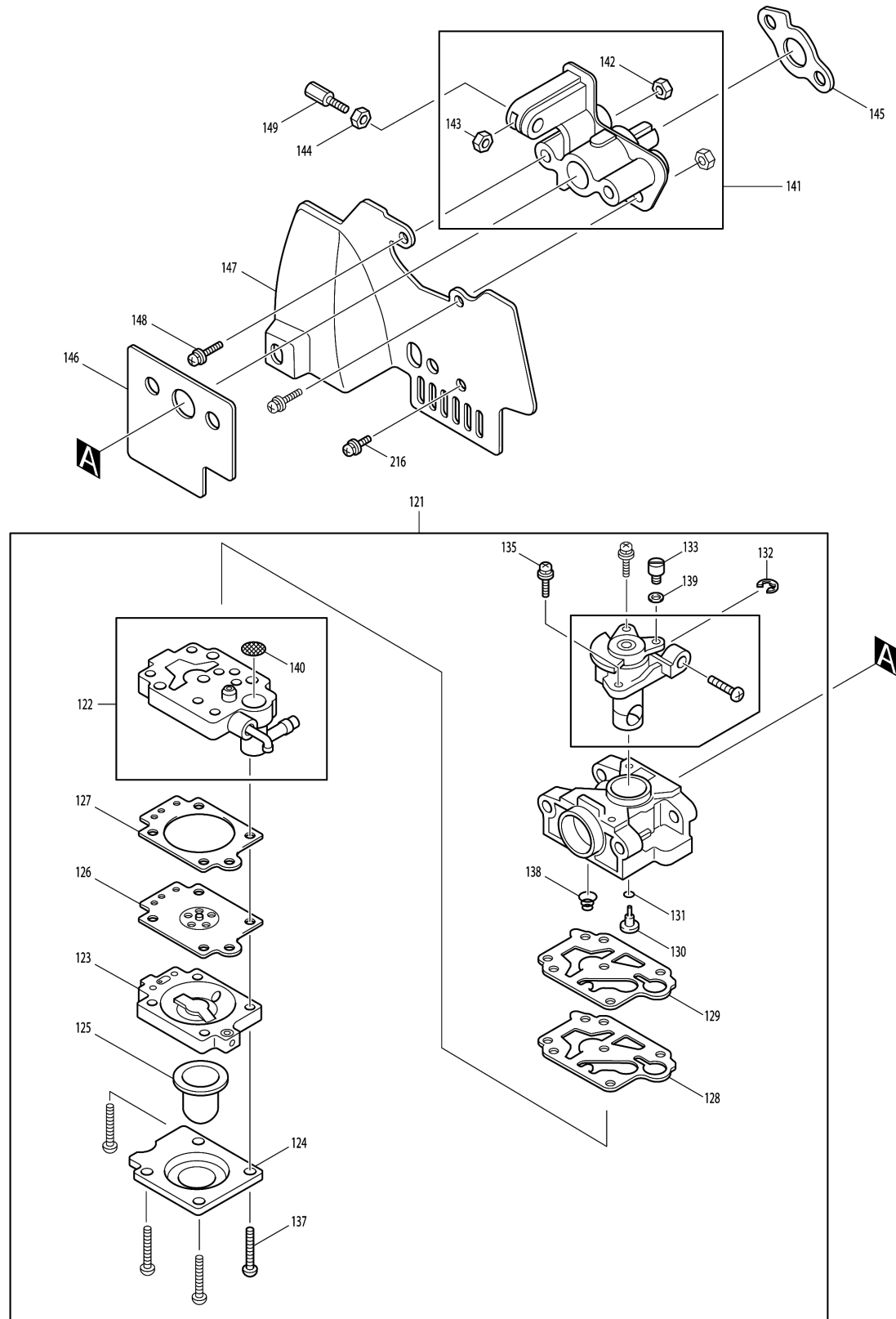
Model No.BCX3400 BRUSH CUTTER





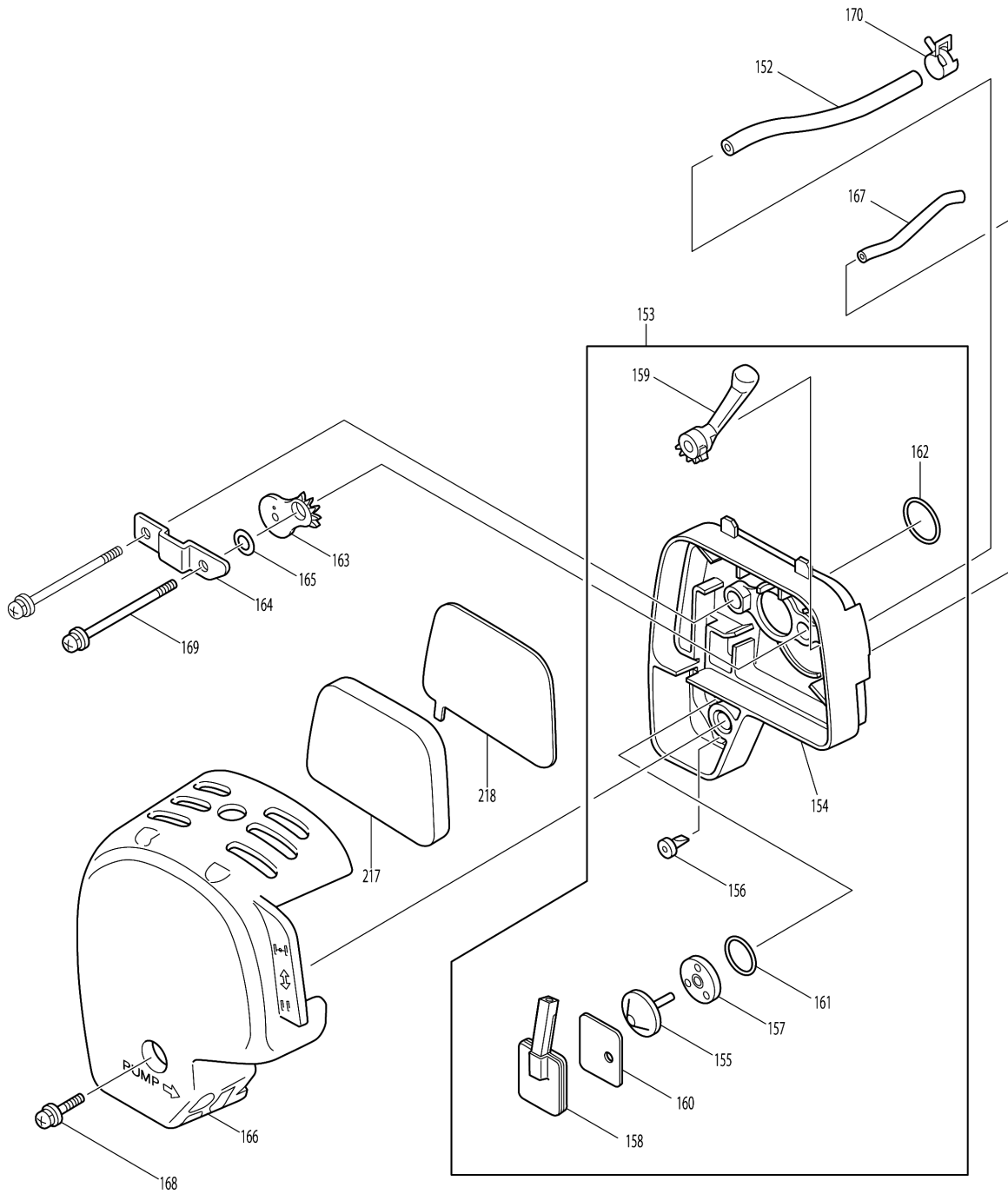


# Model No.BCX3400 BRUSH CUTTER



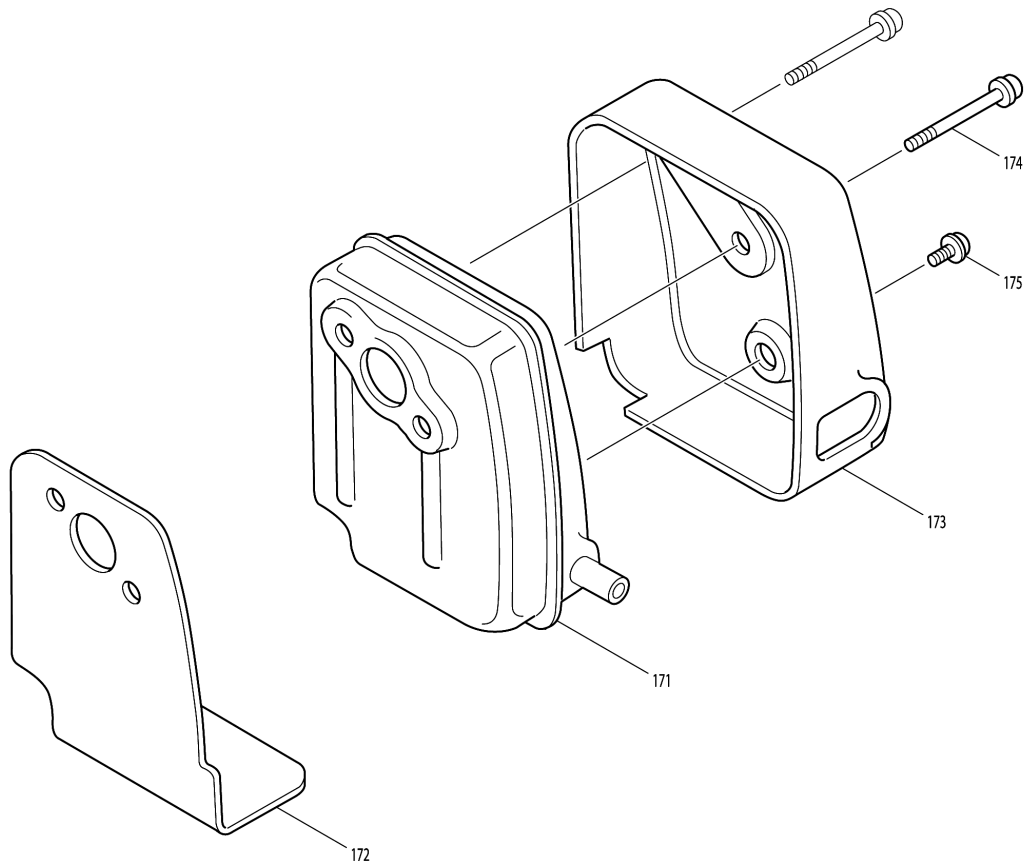


Model No.BCX3400 BRUSH CUTTER



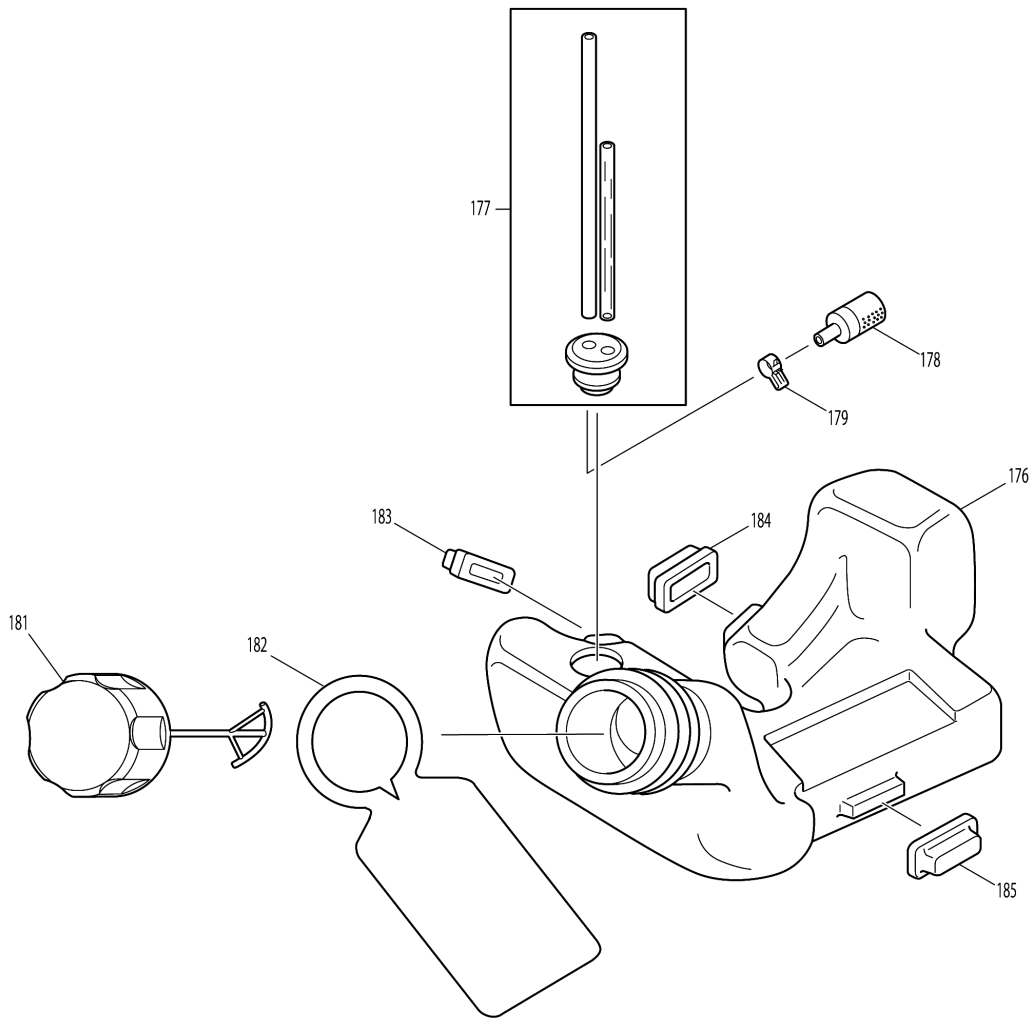


Model No.BCX3400 BRUSH CUTTER





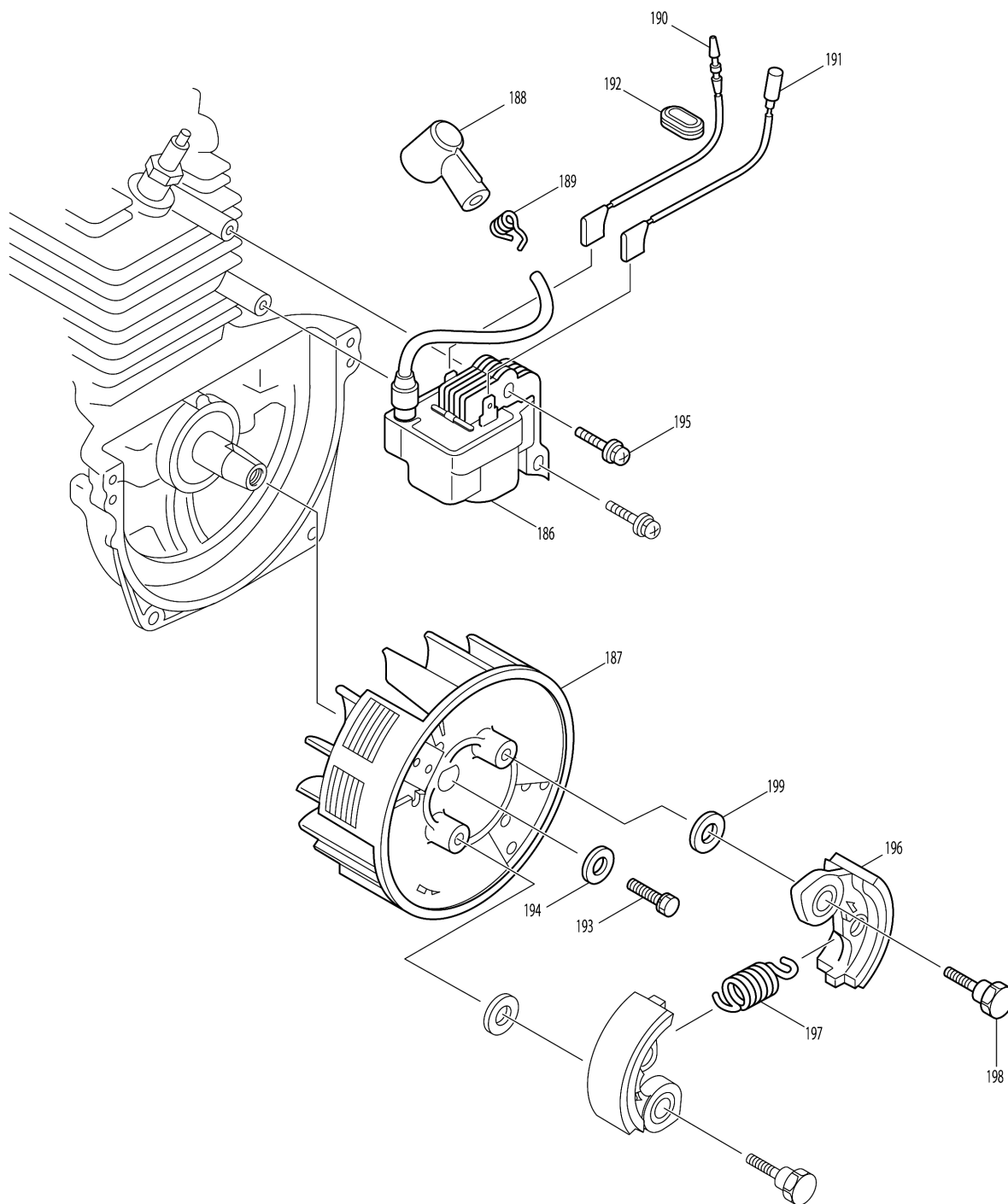
# Model No.BCX3400 BRUSH CUTTER





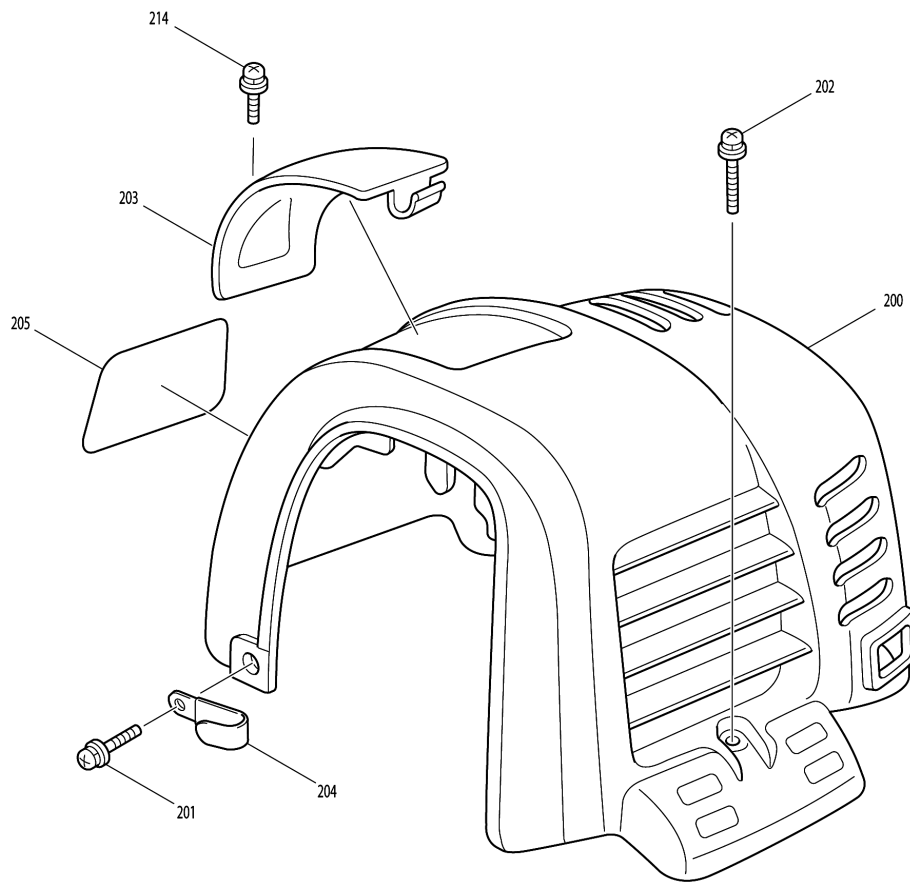


### Model No.BCX3400 BRUSH CUTTER





# Model No.BCX3400 BRUSH CUTTER





## Model No.BCX3400 BRUSH CUTTER

Item	Parts No.	Description	I/C	Qty	New/Old	Opt. 1	Opt. 2	Note
050	5931005000	CYLINDER BLOCK SET		1	*			
050-1	5931021000	CYLINDER BLOCK SET	S	1	*			
050-2	5931037000	CYLINDER BLOCK SET	S	1	*			
D10		INC. 60,61,73,95			*			
050-3	135373-3	CYLINDER BLOCK ASSEMBLY	O	1				
D10		INC. 60,61,73,95						
052	5921500502	CAMGEAR COVER		1	*			
052-1	318443-5	CAM GEAR COVER	O	1				
053	5931004000	ROCKER COVER COMPLETE		1	*			
053-1	140419-2	ROCKER COVER COMPLETE	O	1				
054	5921500700	CAMGEAR COVER GASKET		1	*			
054-1	162274-2	CAM GEAR COVER GASKET	O	1				
055	5931500800	ROCKER COVER GASKET		1	*			
055-1	162307-3	ROCKER COVER GASKET	O	1				
056	5921501000	REED VALVE		1	*			
056-1	346083-9	LEAD VALVE	O	1				
057	5921501100	RETAINER PLATE		1	*			
057-1	318440-1	RETAINER PLATE	O	1				
058	0119049960	SOCKET HEAD BOLT M4X10		1	*			
058-1	266810-7	H.S.H.BOLT M4X10	O	1				
059	0043605160	SCREW ASS'Y M5X16 (W,SW)		4	*			
059-1	266494-1	+ PAN HEAD SCREW M5X16	O	4				
060	0119059470	SOCKET HEAD BOLT M5X16		4	*			
060-1	0119059470	SOCKET HEAD BOLT M5X16	O	4	*			
060-2	266812-3	H.S.H.BOLT M5X16	O	4				
061	0119059860	SOCKET HEAD BOLT M5X33		4	*			
061-1	0119059860	SOCKET HEAD BOLT M5X33	O	4	*			
061-2	266573-5	HEX. SOCKET HEAD BOLT M5X33	O	4				
062	0043605140	SCREW ASS'Y M5X14		3				
063	5935500200	BLOWER HOUSING		1	*			
063-1	318614-4	BLOWER HOUSING	O	1				
064	0119059531	SOCKET HEAD BOLT M5X16(W,SW)		4	*			
064-1	266813-1	H.S.H.BOLT M5X16 WITH WR	O	4				
065	5936500000	OIL CASE		1	*			
065-1	318612-8	OIL CASE	O	1				
066	5936500100	CASE GASKET		1	*			
066-1	162308-1	CASE GASKET	O	1				
067	5926500200	OIL TUBE		1	*			
067-1	424202-8	OIL TUBE	O	1				
068	5926500300	OIL WEIGHT		1	*			
068-1	325666-8	OIL WEIGHT	O	1				

Please order the parts with part number.

Print Date 19/6/2019

## Model No.BCX3400 BRUSH CUTTER

Item	Parts No.	Description	I/C	Qty	New/Old	Opt. 1	Opt. 2	Note
069	5926500600	OIL GAUGE		1	*			
069-1	450565-6	OIL GAUGE	O	1				
070	0213169990	GASKET		1	*			
070-1	424100-6	GASKET	O	1				
071	0043605180	SCREW ASS'Y M5X18		4				
072	0650109950	SPARK PLUG CMR6A		1	*			
072-1	168401-9	SPARK PLUG	O	1				
073	5921501800	CHECK VALVE		2	*			
073-1	5921501800	CHECK VALVE	O	2	*			
073-2	424201-0	CHECK VALVE	O	2				
087	5932003000	CRANK SHAFT COMPLETE		1	*			
087-1	125756-5	CRANKSHAFT ASSEMBLY	O	1	*			
087-2	125756-5	CRANKSHAFT ASSEMBLY	O	1				
088	0440129950	OIL SEAL (L)		1	*			
088-1	213537-0	OIL SEAL 12	O	1				
089	0440109970	OIL SEAL (S)		1	*			
089-1	213148-1	OIL SEAL 10	O	1	*			
089-2	213769-9	OIL SEAL 10	<	1				
090	5932501000	CLIP		1	*			
090-1	267425-3	FLAT WASHER 26	O	1				
091	5932500400	PISTON		1	*			
091-1	318613-6	PISTON	O	1				
092	5932004000	PISTON RING SET		1	*			
092-1	195141-6	PISTON RING SET	O	1				
093	0565099990	CLIP		2	*			
093-1	233983-1	CLIP	O	2				
094	5932500900	PISTON PIN		1	*			
094-1	257796-6	PISTON PIN	O	1				
095	5921501400	SPACER		2	*			
095-1	5921501400	SPACER	O	2	*			
095-2	424200-2	SPACER	O	2				
096	5923500001	CAM LIFTER		2	*			
096-1	313169-4	CAM LIFTER	O	2				
097	5933003000	CAM GEAR ASS'Y		1	*			
097-1	125552-1	CAM GEAR ASSEMBLY	O	1				
098	5923500501	CAM GEAR SHAFT		1	*			
098-1	268238-5	PIN 5	O	1				
099	5923500600	CAM LIFTER SHAFT		1	*			
099-1	268239-3	PIN 4	O	1				
100	5933500000	PUSH ROD		2	*			
100-1	256866-8	ROD 2.5	O	2				
101	5933002000	ROCKER ARM ASS'Y		2	*			

Please order the parts with part number.

Print Date 19/6/2019

## Model No.BCX3400 BRUSH CUTTER

Item	Parts No.	Description	I/C	Qty	New/Old	Opt. 1	Opt. 2	Note
101-1	12554-7	ROCKER ARM ASSEMBLY	O	2				
102	5933500100	ROCKER SHAFT		1	*			
102-1	256200-2	PIN 5	O	1				
103	5933500200	VALVE SPRING		2	*			
103-1	234181-0	COMPRESSION SPRING 11	O	2	*			
103-2	234181-0	COMPRESSION SPRING 11	O	2				
104	5933500300	SPRING RETAINER		2	*			
104-1	325912-9	SPRING RETAINER	O	2				
105	5933500400	EXHAUST VALVE		1	*			
105-1	325913-7	EXHAUST VALVE	O	1				
106	5933500500	INTAKE VALVE		1	*			
106-1	325914-5	INTAKE VALVE	O	1				
107	5935001000	STARTER COVER ASSEMBLY		1	*			
D10		INC. 108-110,113-115			*			
107-1	126475-6	STARTER COVER ASSEMBLY	O	1				
D10		INC. 108-110,113-115						
108	5315022020	REEL		1	*			
108-1	451923-9	REEL	O	1				
109	5425003010	SET SCREW		1	*			
109-1	266580-8	TAPPING SCREW 5X10	O	1				
110	5025001020	SPIRAL SPRING		1	*			
110-1	232257-7	SPIRAL SPRING	O	1				
113	5315022040	STARTER ROPE		1	*			
113-1	444018-5	STARTER ROPE	O	1				
114	5215002110	STARTER KNOB		1	*			
114-1	424317-1	STARTER KNOB	O	1				
115	5315023000	PULLEY		1	*			
115-1	165606-2	PULLEY	O	1	*			
115-2	168827-5	PULLEY	O	1				
116	0140059480	SCREW ASS'Y M5X14		4	*			
116-1	266809-2	P.H.SCREW M5X14 WITH WR	O	4				
118	6345001000	TANK GUARD		1	*			
118-1	162310-4	TANK GUARD	O	1				
119	0140059480	SCREW ASS'Y M5X14		4	*			
119-1	266809-2	P.H.SCREW M5X14 WITH WR	O	4				
120	6349505200	MODEL LABEL		1				
121	5936004000	CARBURETOR		1	*			
D10		INC. 122-140			*			
121-1	168561-7	CARBURETOR	O	1	*			
D10		INC. 122-140			*			
121-2	168561-7	CARBURETOR	<	1				
D10		INC. 122-140						

Please order the parts with part number.

Print Date 19/6/2019

## Model No.BCX3400 BRUSH CUTTER

Item	Parts No.	Description	I/C	Qty	New/Old	Opt. 1	Opt. 2	Note
122	5926002060	PUMP BODY ASS'Y		1	*			
D10		INC. 140			*			
122-1	5926002140	PUMP BODY ASS'Y	O	1	*			
D10		INC. 140			*			
122-2	140437-0	PUMP BODY	O	1				
D10		INC. 140						
123	5236046140	AIR PURGE BODY ASS'Y		1	*			
123-1	140438-8	AIR PURGE BODY	O	1				
124	5236046050	PRIMER PUMP COVER		1	*			
124-1	346270-0	PRIMER PUMP COVER	O	1				
125	5246001150	PRIMER PUMP		1	*			
125-1	424314-7	PRIMER PUMP	O	1				
126	5926008010	METERING DIAPHRAGM ASS'Y		1	*			
126-1	168574-8	METERING DIAPHRAGM	O	1	*			
126-2	WJ00963279	SCREW	O	1	*			
126-3	WJ00095586	DIAPHRAGM ASS'Y	X	1	*			
126-4	168620-7	METERING DIAPHRAGM	<	1				
127	5236046040	METERING DIAPHRAGM GASKET		1	*			
127-1	442154-1	METERING DIAPHRAGM GASKET	O	1				
128	5246001040	PUMP DIAPHRAGM		1	*			
128-1	168575-6	PUMP DIAPHRAGM	O	1	*			
128-2	WJ00009599	PUMP DIAPHRAGM	O	1				
129	5926002040	PUMP GASKET		1	*			
129-1	442155-9	PUMP GASKET	O	1				
130	5936002010	JET		1	*			
130-1	325921-8	JET	O	1	*			
130-2	5926007011	JET #36.5	<	1				
131	5246001010	O RING		1	*			
131-1	213538-8	O RING 2	O	1				
132	5316005120	RING		1	*			
132-1	257964-1	STOP RING E-3	O	1				
133	5236018040	SWIVEL		1	*			
133-1	325922-6	SWIVEL	O	1				
135	5206008030	PAN HEAD SCREW		2	*			
135-1	266581-6	PAN HEAD SCREW M3X8 WITH W	O	2	*			
135-2	WJ00096364	SCREW M3X8 WITH WASHER	O	2				
137	5236046010	PUMP COVER SCREW		4	*			
137-1	266582-4	TAPPING SCREW 3X24	O	4				
138	5926002020	PUMP SPRING		1	*			
138-1	234183-6	CONICAL COMPRESSION SPRING 5-9	O	1				

Please order the parts with part number.

Print Date 19/6/2019



## Model No.BCX3400 BRUSH CUTTER

Item	Parts No.	Description	I/C	Qty	New/Old	Opt. 1	Opt. 2	Note
139	5426005030	WASHER		1	*			
139-1	413140-9	WASHER	O	1				
140	5016004010	INLET SCREEN		1	*			
140-1	352010-6	INLET SCREEN	O	1	*			
140-2	WJ00014070	INLET SCREEN	O	1				
141	5923501701	INSULATOR		1	*			
141-1	5923005001	INSULATOR COMPLETE		1	*			
D10		INC. 142,143			*			
141-2	5923005002	INSULATOR COMPLETE	O	1	*			
D10		INC. 142,143			*			
141-3	5933018000	INSULATOR COMPLETE	S	1	*			
141-4	451874-6	INSULATOR	O	1				
142	0021705000	NUT M5		2	*			
143	0022706000	NUT M6		1	*			
144	0022706000	NUT M6		1	*			
145	5923501801	INSULATOR GASKET		1	*			
145-1	5923504700	INSULATOR GASKET	S	1	*			
145-2	413120-5	INSULATOR GASKET	O	1				
146	5923501900	CARBURETOR GASKET		1	*			
146-1	413138-6	CARBURETOR GASKET	O	1				
147	5933500600	CARBURETOR INSULATOR		1	*			
147-1	346261-1	CARBURETOR INSULATOR	O	1				
148	0043605180	SCREW ASS'Y M5X18		2	*			
148-1	0119059870	SOCKET HEAD BOLT M5X18	O	2	*			
148-2	266787-6	H.S.H.BOLT M5X18 WITH WR	O	2				
149	0149069960	ADJUST SCREW		1	*			
149-1	0149069961	SCREW CABLE ADJ	O	1	*			
149-2	325663-4	ADJUST SCREW	O	1				
152	5931500900	BREATHER PIPE		1	*			
152-1	422055-9	BREATHER PIPE	O	1				
153	5933001000	CLEANER PLATE ASS'Y		1	*			
D10		INC. 154-162			*			
153-1	125468-0	CLEANER PLATE ASSEMBLY	O	1				
D10		INC. 154-162						
154	5933005000	AIR CLEANER PLATE COMPLETE		1	*			
154-1	140814-6	AIR CLEANER PLATE COMPLETE	O	1				
155	5316500701	CHECK VALVE		1	*			
155-1	424315-5	CHECK VALVE	O	1				
156	5923502400	CHECK VALVE (1)		1	*			
156-1	424316-3	CHECK VALVE	O	1				
157	5923502500	CHECK VALVE PLATE		1	*			

Please order the parts with part number.

Print Date 19/6/2019

## Model No.BCX3400 BRUSH CUTTER

Item	Parts No.	Description	I/C	Qty	New/Old	Opt. 1	Opt. 2	Note
157-1	451924-7	CHECK VALVE PLATE	O	1				
158	5933501600	SEPARATOR PLATE		1	*			
158-1	168576-4	SEPARATOR PLATE	O	1				
159	5923502200	CHOKE LEVER		1	*			
159-1	451925-5	CHOKE LEVER	O	1				
160	5923503500	GASKET SEPARATOR		1	*			
160-1	168577-2	SEPARATOR GASKET	O	1				
161	0240139970	O RING P14		1	*			
161-1	213539-6	O RING 14	O	1				
162	0240159990	O RING P15		1	*			
162-1	213540-1	O RING 15	O	1				
163	5923502301	CHOKE PLATE		1	*			
163-1	450560-6	CHOKE PLATE	O	1				
164	5923502600	PLATE		1	*			
164-1	345919-9	PLATE	O	1				
165	0213069990	GASKET		1	*			
165-1	423376-2	GASKET	O	1				
166	5933500800	AIR CLEANER COVER		1	*			
166-1	450561-4	AIR CLEANER COVER	O	1				
167	5923503001	PIPE		1	*			
167-1	422042-8	PIPE	O	1				
168	0140059480	SCREW ASS'Y M5X14		1	*			
168-1	266809-2	P.H.SCREW M5X14 WITH WR	O	1				
169	5923503100	SCREW M5X68 (W,SW SUS)		2	*			
169-1	265188-5	+PAN HEAD SCREW M5X68	O	2				
170	0561080010	HOSE CLAMP		1	*			
170-1	345918-1	HOSE CLAMP	O	1				
171	5923001000	EXHAUST MUFFLER		1	*			
171-1	168469-5	EXHAUST MUFFLER	O	1				
172	5923501601	MUFFLER GASKET		1	*			
172-1	345916-5	MUFFLER GASKET	O	1				
173	5923503400	MUFFLER COVER		1	*			
173-1	345915-7	MUFFLER COVER	O	1				
174	0119059520	SOCKET HEAD BOLT M5X40		2	*			
174-1	266440-4	HEX SOCKET HEAD BOLT M5X40	O	2				
175	0140059962	SCREW M5X5		1				
176	5936500200	FUEL TANK		1	*			
176-1	451877-0	FUEL TANK	O	1				
177	5936003000	TUBE		1	*			
177-1	162309-9	TUBE	O	1				
178	5236503900	FILTER		1	*			
178-1	163447-0	FUEL FILTER	O	1	*			

Please order the parts with part number.

Print Date 19/6/2019

## Model No.BCX3400 BRUSH CUTTER

Item	Parts No.	Description	I/C	Qty	New/Old	Opt. 1	Opt. 2	Note
178-2	163447-0	FUEL FILTER	O	1				
179	0561059990	HOSE CLAMP		1	*			
179-1	345920-4	HOSE CLAMP	O	1				
181	5926013000	FUEL TANK CAP ASS'Y		1				
182	6249501501	STRAP		1	*			
182-1	810455-9	CAUTION PLATE	<	1				
183	5036500200	PLATE		1	*			
183-1	424102-2	PLATE	O	1				
184	5036500300	PLATE		1	*			
184-1	424103-0	PLATE	O	1				
185	5196500301	DAMPER		1	*			
185-1	5196500302	DAMPER	O	1	*			
185-2	424104-8	DAMPER	O	1				
186	5937001010	IGNITION COIL		1	*			
186-1	5937001011	IGNITION COIL	O	1	*			
186-2	5927012011	IGNITION COIL	O	1	*			
186-3	168501-5	IGNITION COIL	O	1				
187	5937001020	FLYWHEEL		1	*			
187-1	5937001021	FLYWHEEL	S	1	*			
187-2	318611-0	FLYWHEEL	O	1				
188	5927500100	PLUG CAP		1	*			
188-1	424105-6	PLUG CAP	O	1				
189	0654009931	PLUG CAP SPRING		1	*			
189-1	324891-8	PLUG CAP SPRING	O	1				
190	5927003000	WIRE COMPLETE		1	*			
190-1	638664-6	LEAD UNIT	O	1				
191	5257018001	WIRE COMPLETE		1	*			
191-1	638665-4	LEAD UNIT	O	1				
192	5257500300	GROMMET		1	*			
192-1	424313-9	GROMMET	O	1				
193	0011306160	BOLT ASS'Y		1				
194	0031206000	WASHER		1				
195	0140049920	SCREW ASS'Y M4X20		2				
196	5318003010	CLUTCH SHOE		2	*			
196-1	168563-3	CLUTCH SHOE	O	2	*			
196-2	125757-3	CLUTCH ASSEMBLY	S	1				
C10	AN04002000	CLUTCH SHOE		2				
D10		INC. 197						
197	5318003020	CLUTCH SPRING		1	*			
197-1	231863-5	TENSION SPRING 9	O	1	*			
197-2	AN02010000	TENSION SPRING 9	S	1	*			
197-3	AN02010C00	TENSION SPRING 9	O	1				

Please order the parts with part number.

Print Date 19/6/2019

## Model No.BCX3400 BRUSH CUTTER

Item	Parts No.	Description	I/C	Qty	New/Old	Opt. 1	Opt. 2	Note
198	5938500000	CLUTCH BOLT		2	*			
198-1	5318500503	CLUTCH BOLT M8X13	S	2	*			
198-2	266571-9	SHOULDER HEX. BOLT M8X23	O	2				
199	0200089800	WASHER		2	*			
199-1	267424-5	FLAT WASHER 8	O	2				
200	5935500800	CYLINDER COVER		1	*			
200-1	5935500801	CYLINDER COVER	O	1	*			
200-2	5935500802	CYLINDER COVER	O	1	*			
200-3	451875-4	CYLINDER COVER	O	1				
201	0043605120	SCREW ASS'Y M5X12		2	*			
201-1	0140059370	SCREW ASS'Y M5X12	O	2	*			
201-2	266808-4	P.H.SCREW M5X12 WITH WR	O	2				
202	0140059480	SCREW ASS'Y M5X14		1	*			
202-1	0140059370	SCREW ASS'Y M5X12	O	1	*			
202-2	266808-4	P.H.SCREW M5X12 WITH WR	O	1				
203	5935500500	PLUG COVER		1	*			
203-1	451876-2	PLUG COVER	O	1				
204	0566059980	CLAMP		1	*			
204-1	345963-6	CLAMP	O	1				
205	5929501001	TRADE MARK LABEL		1				
214	0140059920	SCREW M5X8		1	*			
214-1	0140059921	SCREW M5X8	O	1	*			
214-2	266572-7	+ TRUSS HEAD SCREW M5X8	O	1				
216	0043605100	SCREW ASSEMBLY		1	*			
216-1	0140059370	SCREW ASS'Y M5X12	O	1	*			
216-2	0119059780	SOCKET HEAD BOLT M5X12	O	1	*			
216-3	922213-2	H.S.H.BOLT M5X12 WITH WR	O	1				
217	5933501200	AIR CLEANER ELEMENT		1	*			
217-1	443141-3	AIR CLEANER ELEMENT	O	1				
218	5933500900	AIR CLEANER ELEMENT		1	*			
218-1	443140-5	AIR CLEANER ELEMENT	O	1				
233	6341501100	FELT		1	*			
233-1	443146-3	FELT RING 8	O	1				
236	0323039990	WOODRUFF KEY		1	*			
236-1	254040-2	WOODRUFF KEY 3	O	1				
237	0200109870	WAVE WASHER		2	*			
237-1	267832-0	WAVE WASHER 10	O	2	*			
237-2	267849-3	WAVE WASHER 10	O	2				
238	5933504000	PIPE, INTAKE		1	*			
238-1	325915-3	INTAKE PIPE	O	1				
239	0062610101	O RING		1				
A01	6347003000	BAND ASS'Y		1	*			

Please order the parts with part number.

Print Date 19/6/2019

## Model No.BCX3400 BRUSH CUTTER

Item	Parts No.	Description	I/C	Qty	New/Old	Opt. 1	Opt. 2	Note
A01-1	6347003001	BAND ASS'Y	O	1	*			
A01-2	125938-9	BAND ASSEMBLY	O	1				
D10		INC. A02						
A02	6347004000	HOOK		1	*			
A02-1	168578-0	HOOK	O	1				
A03	B-01884	STAR BLADE 255-4T		1	*			
A03-1	B-14124	STAR BLADE 255X4TX25.4	<	1				
A04	6418500701	CUTTER COVER		1	*			
A04-1	6418027000	CUTTER COVER	O	1	*			
A04-2	456924-2	TOOL COVER	O	1				
A05	6349007000	TOOL		1	*			
A05-1	194904-7	TOOL SET	O	1				
A06	0722105000	OIL BOTTLE		1	*			
A06-1	242072-1	OIL BOTTLE	O	1				

Please order the parts with part number.

Print Date 19/6/2019