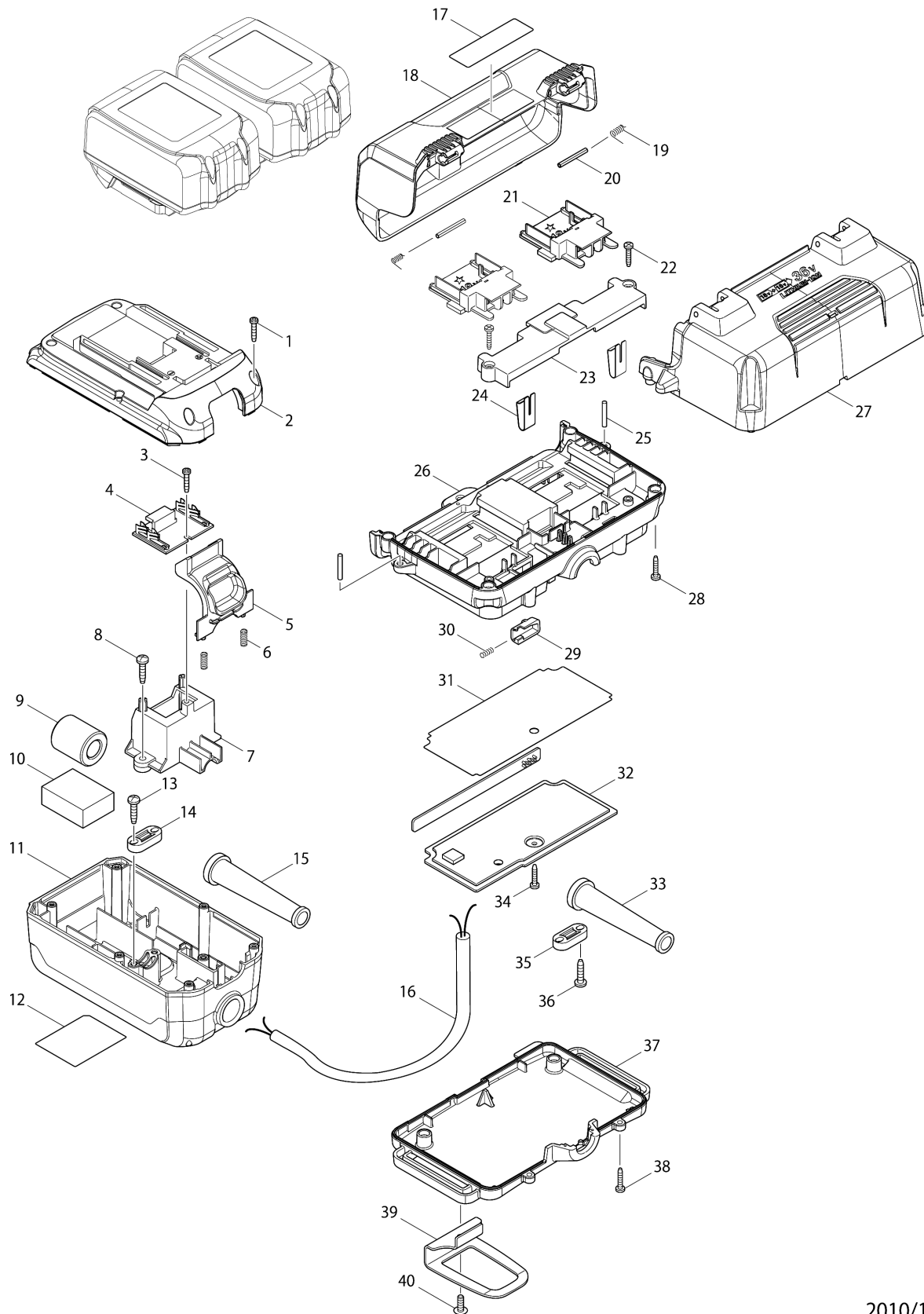


Model No.BCV01 BATTERY CONVERTER



2010/10
BCV01

Model No.BCV01 BATTERY CONVERTER

Item	Parts No.	Description	I/C	Qty	New/Old	Opt. 1	Opt. 2	Note
001	266277-9	TAPPING SCREW TORX 3X16		6				
002	452190-9	OUTER CASE (UPPER)		1				
003	266277-9	TAPPING SCREW TORX 3X16		1				
004	631879-4	TERMINAL BOARD COMPLETE		1				
005	140100-5	HOOK COMPLETE		1				
006	234120-0	COMPRESSION SPRING 4		2				
007	451260-1	INNER SUPPORT		1				
008	266326-2	TAPPING SCREW 4X18		2				
009	688140-0	LINE FILTER		1				
010	685718-0	SPONGE SHEET		1				
011	451256-2	OUTER CASE (UNDER)		1				
013	266326-2	TAPPING SCREW 4X18		2				
014	687140-7	STRAIN RELIEF		1				
015	682504-0	CORD GUARD 10-85		1				
016	660280-6	POWER SUPPLY CORD		1				
017	819285-5	MAKITA LOGO LABEL		1				
018	187081-2	BATTERY COVER SET		1				
C10	892537-9	CAUTION LABEL		1				
D10		INC. 17						
019	233584-5	TORSION SPRING 4		2				
020	951075-1	SPRING PIN 3-28		2				
021	643860-3	TERMINAL		2	*			
021-1	643888-1	TERMINAL	S	2	*			
021-2	643899-6	TERMINAL	<	2				
022	266130-9	TAPPING SCREW BIND PT 3X16		2				
023	452636-5	TERMINAL HOLDER		1				
024	232267-4	LEAF SPRING		2				
025	256158-5	PIN 3		2				
026	140862-5	CENTER CASE COMPLETE		1	*			
026-1	141294-9	CENTER CASE COMPLETE	S	1				
027	452635-7	UNDER COVER		1				
028	266130-9	TAPPING SCREW BIND PT 3X16		4				
029	452637-3	SLIDE LATCH		1				
030	231293-0	COMPRESSION SPRING 3		1				
031	452725-6	PROTECTION PLATE		1				
032	620047-4	ADAPTER CIRCUIT		1	*			
032-1	620047-4	ADAPTER CIRCUIT	S	1				
033	682504-0	CORD GUARD 10-85		1				
034	266130-9	TAPPING SCREW BIND PT 3X16		1				
035	687140-7	STRAIN RELIEF		1				
036	266326-2	TAPPING SCREW 4X18		2				

Please order the parts with part number.

Print Date 3/6/2019

Model No.BCV01 BATTERY CONVERTER

Item	Parts No.	Description	I/C	Qty	New/Old	Opt. 1	Opt. 2	Note
037	452633-1	TOP COVER		1				
038	266130-9	TAPPING SCREW BIND PT 3X16		4				
039	346401-1	HOOK		1				
040	266622-8	+ TRUSS HEAD SCREW M4X12		1				

Please order the parts with part number.

Print Date 3/6/2019