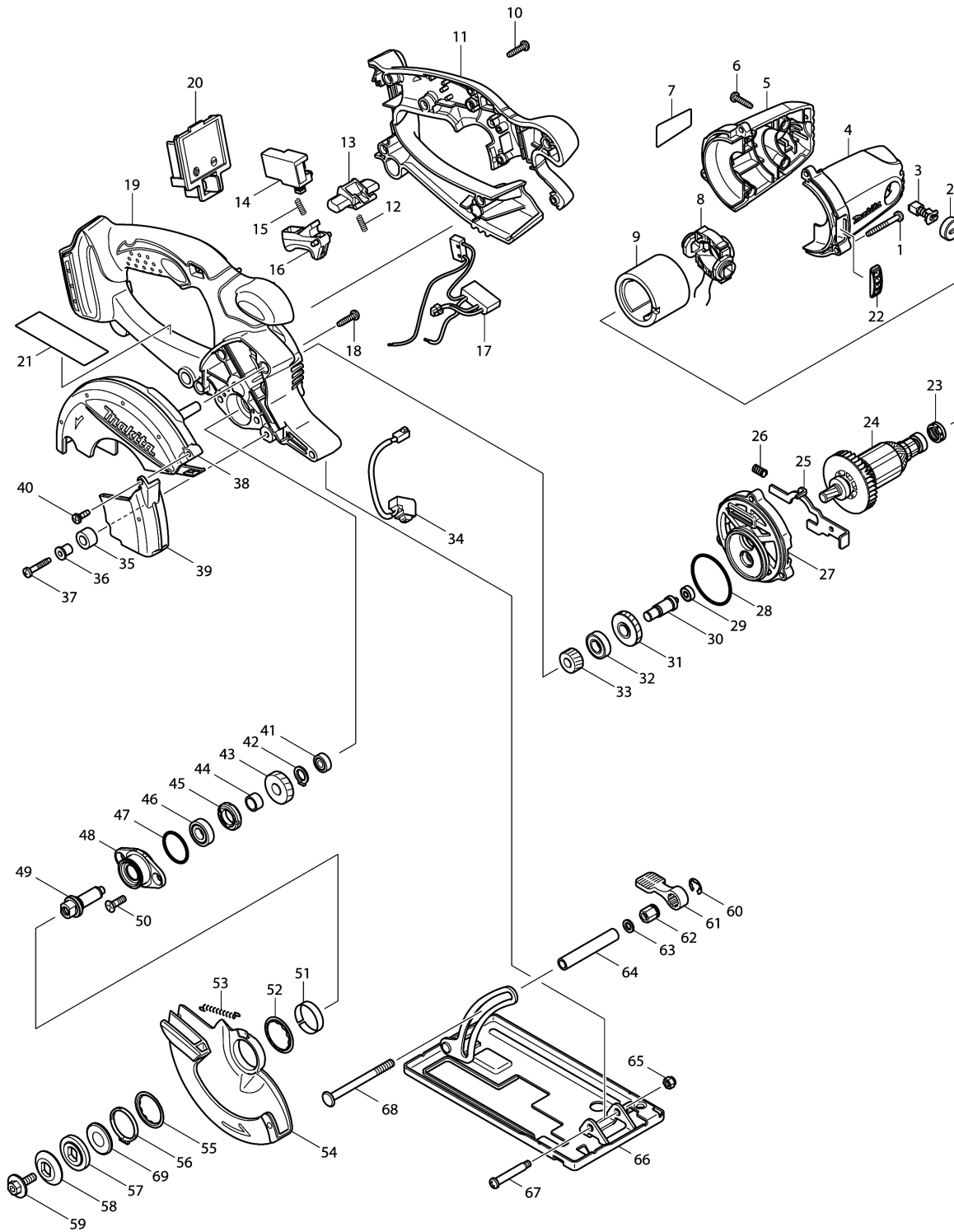


# Model No.BCS550 CORDLESS METAL CUTTER





## Model No.BCS550 CORDLESS METAL CUTTER

Item	Parts No.	Description	I/C	Qty	New/Old	Opt. 1	Opt. 2	Note
001	266053-1	TAPPING SCREW 4X35		3				
002	643807-7	BRUSH HOLDER CAP		2				
003	191971-3	CARBON BRUSH CB-430		1				
004	188209-5	HOUSING SET		1				
D10		INC. 5						
005	188209-5	HOUSING SET		1				
D10		INC. 4						
006	265995-6	TAPPING SCREW 4X18		4				
007	862979-1	BCS550 NAME PLATE		1				
008A	638502-2	ENDBELL COMPLETE		1	*			
008B	638502-2	ENDBELL COMPLETE		1	*			
008-1A	638925-4	ENDBELL COMPLETE	S	1				
008-1B	638925-4	ENDBELL COMPLETE	S	1				
008-1C	638925-4	ENDBELL COMPLETE		1				
008-1D	638925-4	ENDBELL COMPLETE		1				
009	638420-4	YOKE UNIT		1	*			
009-1	638420-4	YOKE UNIT	O	1				
010	265995-6	TAPPING SCREW 4X18		8				
011A	188214-2	HANDLE SET		1	*			
D10		INC. 19			*			
011B	188214-2	HANDLE SET		1	*			
D10		INC. 19			*			
011-1A	419661-9	HANDLE L	S	1	*			
011-1B	419661-9	HANDLE L	S	1	*			
011-1C	419661-9	HANDLE L		1	*			
011-1D	419661-9	HANDLE L		1	*			
011-2	453426-9	HANDLE L	S	1	*			
011-3	140F58-4	HANDLE L COMPLETE	S	1				
012	231469-9	COMPRESSION SPRING 4		1				
013	419664-3	LOCK OFF LEVER		1				
014	651956-6	SWITCH TG72BD		1				
015	231469-9	COMPRESSION SPRING 4		1				
016	419665-1	SWITCH LEVER		1				
017A	631743-9	POWER SUPPLY CIRCUIT		1	*			
017B	631743-9	POWER SUPPLY CIRCUIT		1	*			
017-1A	620125-0	POWER SUPPLY CIRCUIT	S	1	*			
017-1B	620125-0	POWER SUPPLY CIRCUIT	S	1	*			
017-1C	620125-0	POWER SUPPLY CIRCUIT		1	*			
017-1D	620125-0	POWER SUPPLY CIRCUIT		1	*			
018	265995-6	TAPPING SCREW 4X18		3				
019A	188214-2	HANDLE SET		1	*			
D10		INC. 11			*			

Please order the parts with part number.

Print Date 19/6/2019

## Model No.BCS550 CORDLESS METAL CUTTER

Item	Parts No.	Description	I/C	Qty	New/Old	Opt. 1	Opt. 2	Note
019B	188214-2	HANDLE SET		1	*			
D10		INC. 11			*			
019-1A	419660-1	HANDLE R	S	1	*			
019-1B	419660-1	HANDLE R	S	1	*			
019-2A	450065-6	HANDLE R	O	1	*			
019-2B	450065-6	HANDLE R	O	1	*			
019-2C	450065-6	HANDLE R		1	*			
019-2D	450065-6	HANDLE R		1	*			
019-3	453427-7	HANDLE R	S	1	*			
019-4	453154-6	HANDLE R	X	1	*			
019-5	140F53-4	HANDLE R COMPLETE	S	1				
020A	643812-4	TERMINAL		1	*			
020B	643812-4	TERMINAL		1	*			
020-1A	643838-6	TERMINAL	O	1	*			
020-1B	643838-6	TERMINAL	O	1	*			
020-1C	643838-6	TERMINAL		1	*			
020-1D	643838-6	TERMINAL		1	*			
020-2	644808-8	TERMINAL	X	1				
022	419609-1	FAN GUARD		1				
023	421977-0	RUBBER RING 13		1				
024A	619202-3	ARMATURE		1	*			
024B	619202-3	ARMATURE		1	*			
024-1A	619290-0	ARMATURE	S	1				
024-1B	619290-0	ARMATURE	S	1				
024-1C	619290-0	ARMATURE		1				
024-1D	619290-0	ARMATURE		1				
025	345643-4	SHAFT LOCK		1				
026	233117-6	COMPRESSION SPRING 6		1				
027	419656-2	GEAR HOUSING		1				
028	213560-5	O RING 44		1				
029A	210048-6	BALL BEARING 604ZZ		1	*			
029B	210048-6	BALL BEARING 604ZZ		1	*			
029-1A	210036-3	BALL BEARING 604ZZ	O	1				
029-1B	210036-3	BALL BEARING 604ZZ	O	1				
029-1C	210036-3	BALL BEARING 604ZZ		1				
029-1D	210036-3	BALL BEARING 604ZZ		1				
030	324729-7	GEAR SHAFT		1				
031A	226643-2	HELICAL GEAR 35		1	*			
031B	226643-2	HELICAL GEAR 35		1	*			
031-1A	227752-0	HELICAL GEAR 27	S	1				
031-1B	227752-0	HELICAL GEAR 27	S	1				
031-1C	227752-0	HELICAL GEAR 27		1				

Please order the parts with part number.

Print Date 19/6/2019

## Model No.BCS550 CORDLESS METAL CUTTER

Item	Parts No.	Description	I/C	Qty	New/Old	Opt. 1	Opt. 2	Note
031-1D	227752-0	HELICAL GEAR 27		1				
032	210080-0	BALL BEARING 6900ZZ		1				
033	226635-1	HELICAL GEAR 15		1				
034	631550-0	LED CIRCUIT		1				
035A	262562-8	RUBBER SLEEVE 6		1	*			
035B	262562-8	RUBBER SLEEVE 6		1	*			
035-1A	262566-0	RUBBER SLEEVE 6	O	1				
035-1B	262566-0	RUBBER SLEEVE 6	O	1				
035-1C	262566-0	RUBBER SLEEVE 6		1				
035-1D	262566-0	RUBBER SLEEVE 6		1				
036	262563-6	SLEEVE 4		1				
037	265999-8	TAPPING SCREW 4X25		1				
038	419662-7	BLADE CASE		1				
039	419663-5	BLADE COVER		1				
040	266020-6	TAPPING SCREW 4X12		1				
041	210006-2	BALL BEARING 696ZZ		1				
042	961006-2	RETAINING RING S-10		1				
043	226640-8	HELICAL GEAR 23		1				
044	257760-7	SLEEVE 10		1				
045	285847-5	BEARING RETAINER 14-23		1				
046	210069-8	BALL BEARING 6900DDW		1				
047	213435-8	O RING 26		1				
048	318087-1	BEARING BOX		1				
049	324730-2	SPINDLE		1				
050	265034-2	+ COUNTERSUNK HEAD SCREW M5X16		2				
051	345470-9	THICKNESS RING		1				
052	345739-1	SPACER		1				
053	231792-2	TENSION SPRING 3		1				
054	158116-6	SAFETY COVER COMPLETE		1				
055	345739-1	SPACER		1				
056	257938-2	RETAINING RING(EXT) WR-26		1				
057	224391-7	INNER FLANGE 30		1				
058	224404-4	OUTER FLANGE 30		1				
059A	266226-6	HEX. SOCKET HEAD BOLT M6X18		1	*			
059B	266226-6	HEX. SOCKET HEAD BOLT M6X18		1	*			
059-1A	266458-5	HEX.SOCKET HEX.BOLT M6X18	<	1				
059-1B	266458-5	HEX.SOCKET HEX.BOLT M6X18	<	1				
059-1C	266458-5	HEX.SOCKET HEX.BOLT M6X18		1				
059-1D	266458-5	HEX.SOCKET HEX.BOLT M6X18		1				

Please order the parts with part number.

Print Date 19/6/2019

## Model No.BCS550 CORDLESS METAL CUTTER

Item	Parts No.	Description	I/C	Qty	New/Old	Opt. 1	Opt. 2	Note
060	961014-3	STOP RING E-8		1				
061	272229-0	LEVER 40		1				
062	252159-1	HEX. NUT M6		1				
063	941151-9	FLAT WASHER 6		1				
064	331733-9	PIPE 6		1				
065	252103-8	HEX. LOCK NUT M5-8		1				
066	163471-3	BASE		1				
067	265056-2	+ PAN HEAD SCREW M5		1				
068	266405-6	FLAT H.SQUARE NECK BOLT M6X75		1				
069	267802-9	CUP WASHER 13		1				
070	620260-4	CONTROLLER		1				
A01	192219-6	SAFETY GOGGLE		1	*			
A02	783203-8	HEX. WRENCH 5		1				
A03A	***DC18RA	DC18RA FAST CHARGER		1	*			
A03-1A	***DC18RC	DC18RC FAST CHARGER	<	1				
A03-1C	***DC18RC	DC18RC FAST CHARGER		1				
A04A	194204-5	BATTERY BL1830 SET		2	*			
A04-1A	194204-5	BATTERY BL1830 SET	O	2	*			
A04-2A	194204-5	BATTERY BL1830 SET	O	2	*			
A04-3A	194204-5	BATTERY BL1830 SET	O	2	*			
A04-4A	194204-5	BATTERY BL1830 SET	O	2	*			
A04-4C	194204-5	BATTERY BL1830 SET		2	*			
A04-5A	194204-5	BATTERY BL1830 SET	O	2	*			
A04-5C	194204-5	BATTERY BL1830 SET	O	2	*			
A04-6A	197600-6	BATTERY BL1830B SET	<	2	*			
A04-6C	197600-6	BATTERY BL1830B SET	<	2	*			
A04-7A	197600-6	BATTERY BL1830B SET	O	2				
A04-7C	197600-6	BATTERY BL1830B SET	O	2				
A05A	824776-3	PLASTIC CARRYING CASE		1	*			
A05C	821551-8	CONNECTOR PLASTIC CASE (TYPE3)		1	*			
C10	453974-8	LATCH		4	*			
A05D	821551-8	CONNECTOR PLASTIC CASE (TYPE3)		1	*			
C10	453974-8	LATCH		4	*			
A05-1A	824802-8	PLASTIC CARRYING CASE	<	1	*			
A05-1C	821551-8	CONNECTOR PLASTIC CASE (TYPE3)	<	1				
C10	453974-8	LATCH		4				
A05-1D	821551-8	CONNECTOR PLASTIC CASE (TYPE3)	<	1				
C10	453974-8	LATCH		4				
A05-2A	141485-2	PLASTIC CASE COMPLETE	<	1				
A06A	804907-0	BCS550RFE PLASTIC CASE LABEL		1				

Please order the parts with part number.

Print Date 19/6/2019

## Model No.BCS550 CORDLESS METAL CUTTER

Item	Parts No.	Description	I/C	Qty	New/Old	Opt. 1	Opt. 2	Note
A06C	837628-9	INNER TRAY		1				
A06D	837628-9	INNER TRAY		1				
A07	B-07319	T.C.T.SAW BLADE 136X20X30T		1				
A08A	450128-8	BATTERY COVER		1				
A08C	450128-8	BATTERY COVER		1				
A09C	800T17-1	BCS550RFJ INDICATION LABEL		1				
A09D	800T19-7	BCS550ZJ INDICATION LABEL		1				
A10C	800T18-9	BCS550RFJ PLASTIC CASE LABEL		2				
A10D	800T20-2	BCS550ZJ PLASTIC CASE LABEL		2				
E01	688131-1	LINE FILTER	S	1				
E02	688165-4	LINE FILTER	S	1	*			
E02-1	688161-2	LINE FILTER	<	1				

Please order the parts with part number.

Print Date 19/6/2019