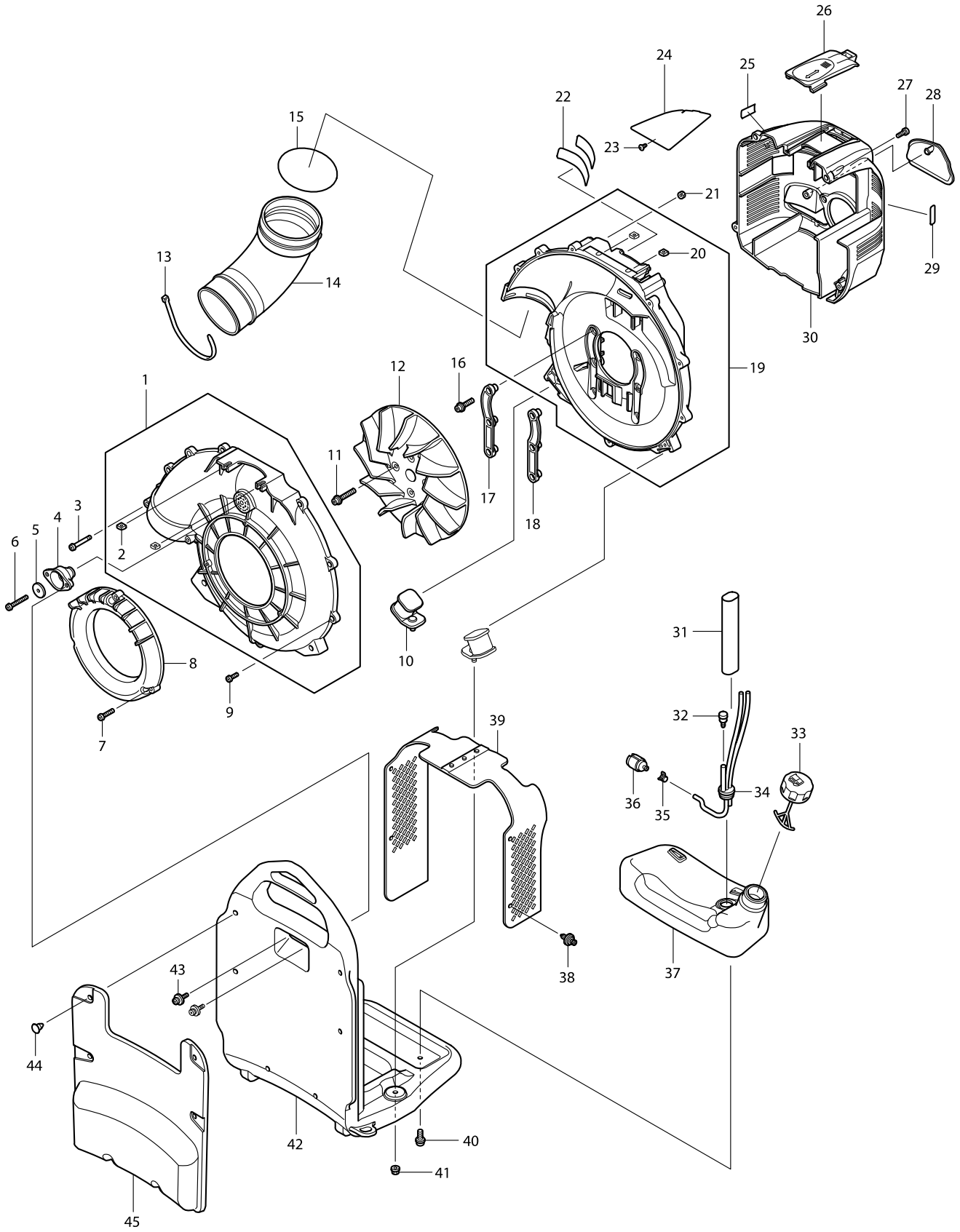
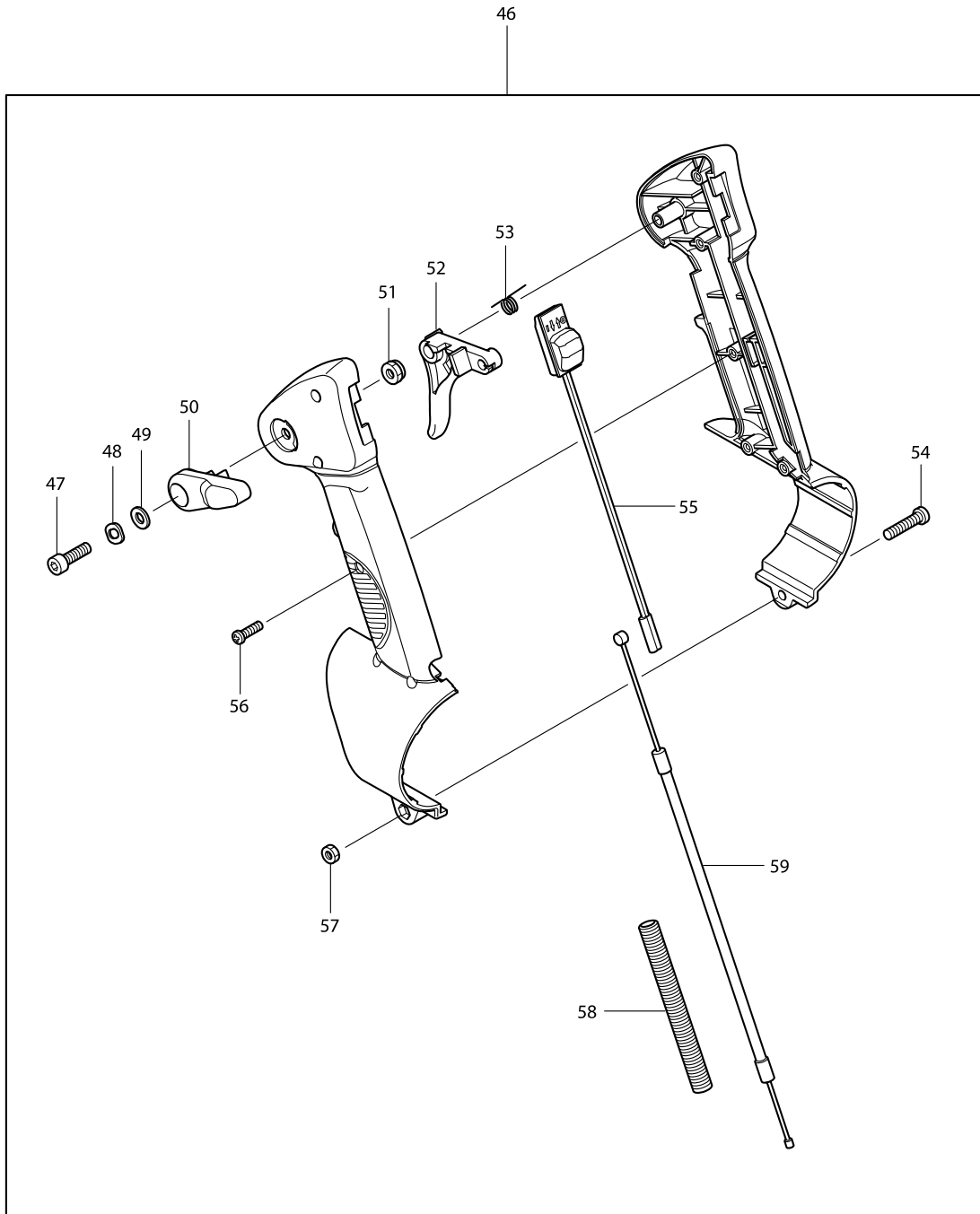


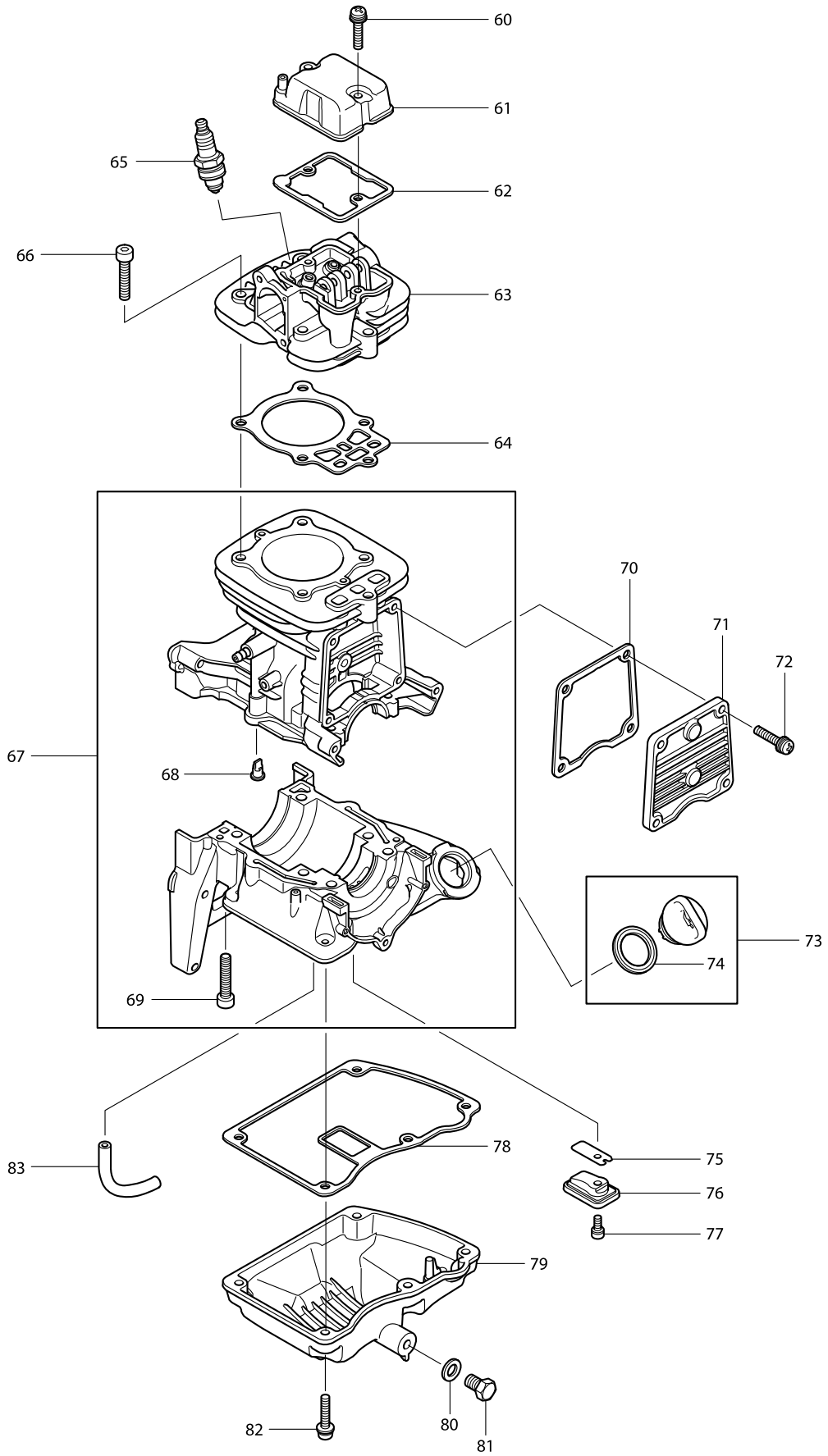
# Model No. BBX7600 ENGINE BLOWER



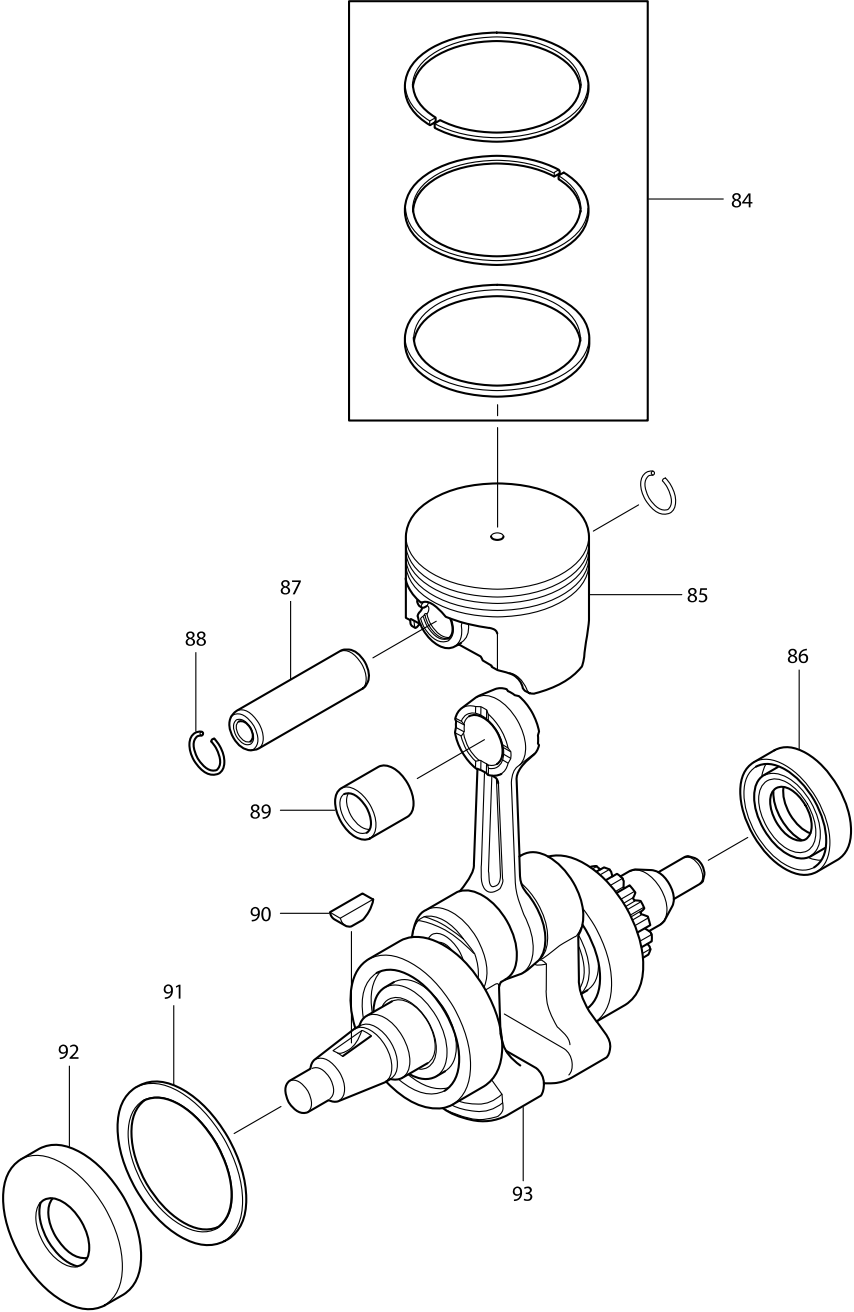
# Model No. BBX7600 ENGINE BLOWER



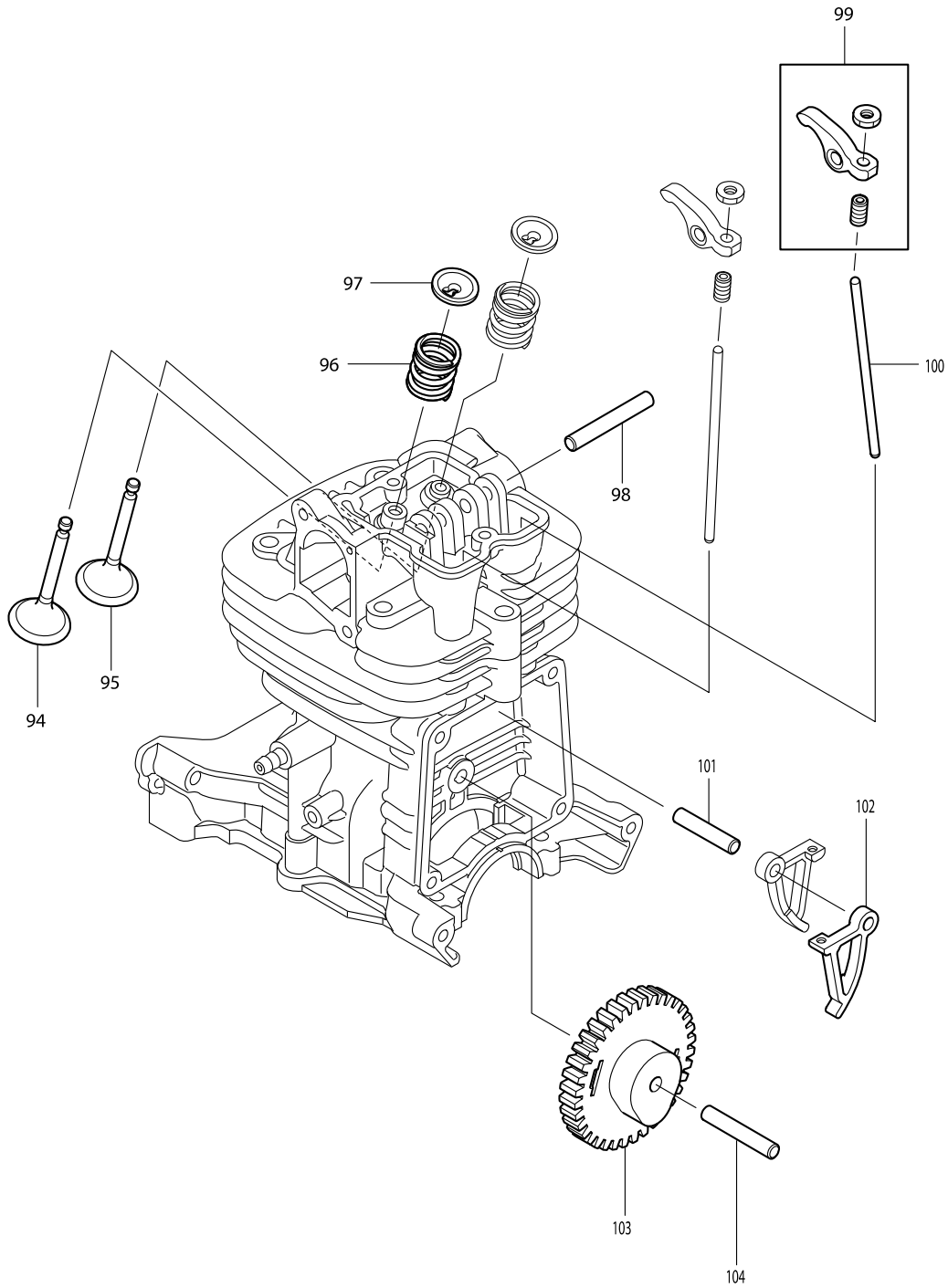
# Model No. BBX7600 ENGINE BLOWER



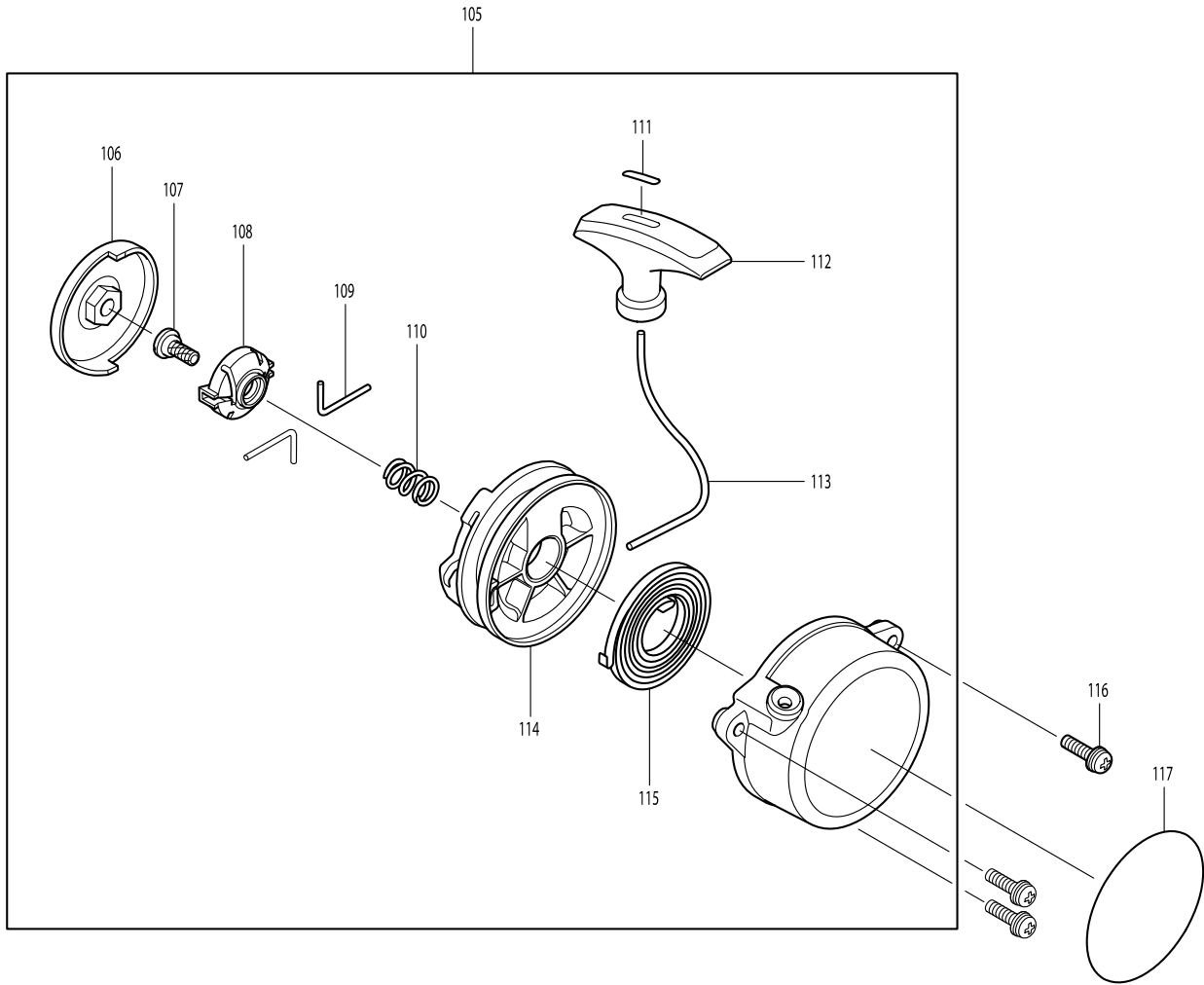
Model No. BBX7600 ENGINE BLOWER



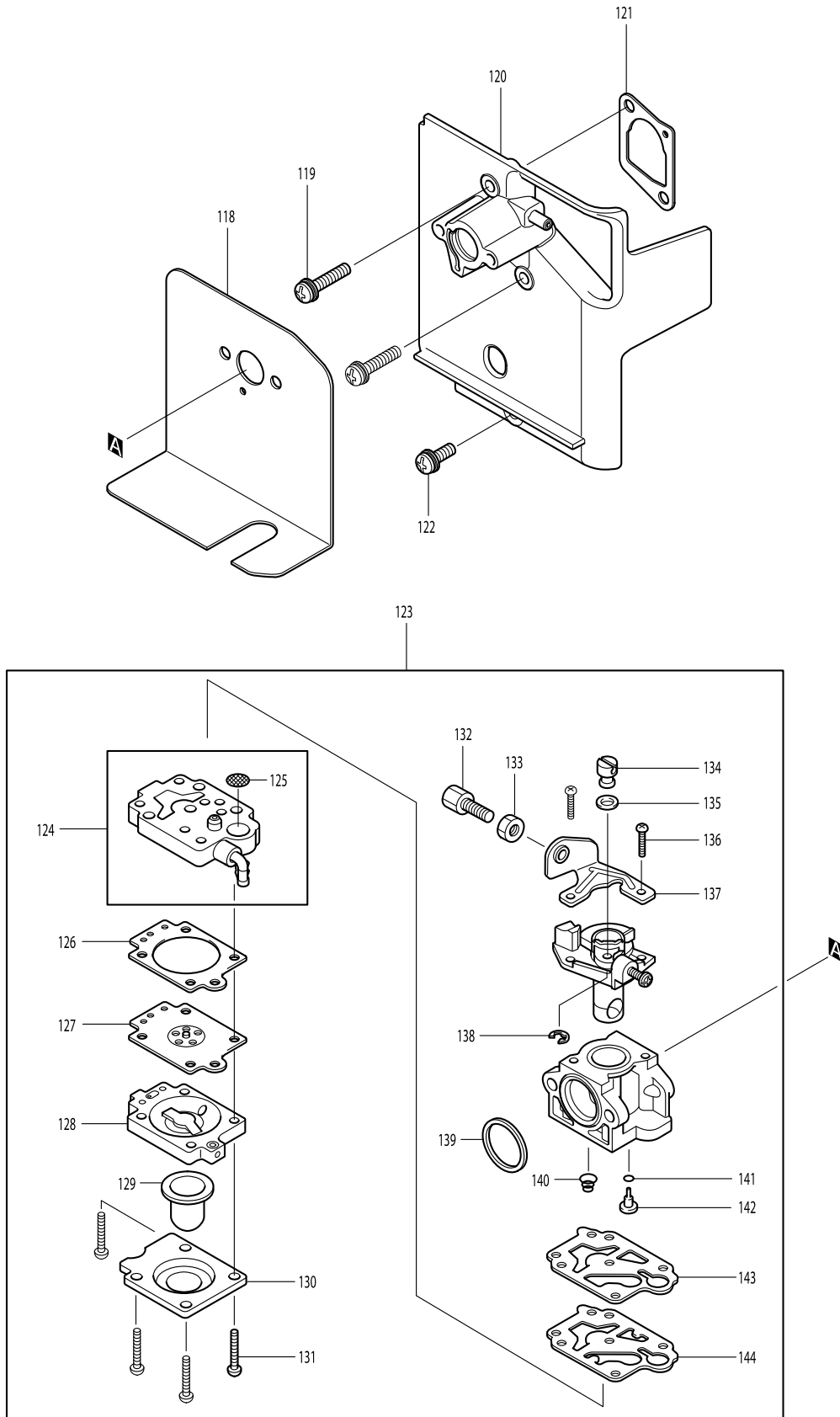
# Model No. BBX7600 ENGINE BLOWER



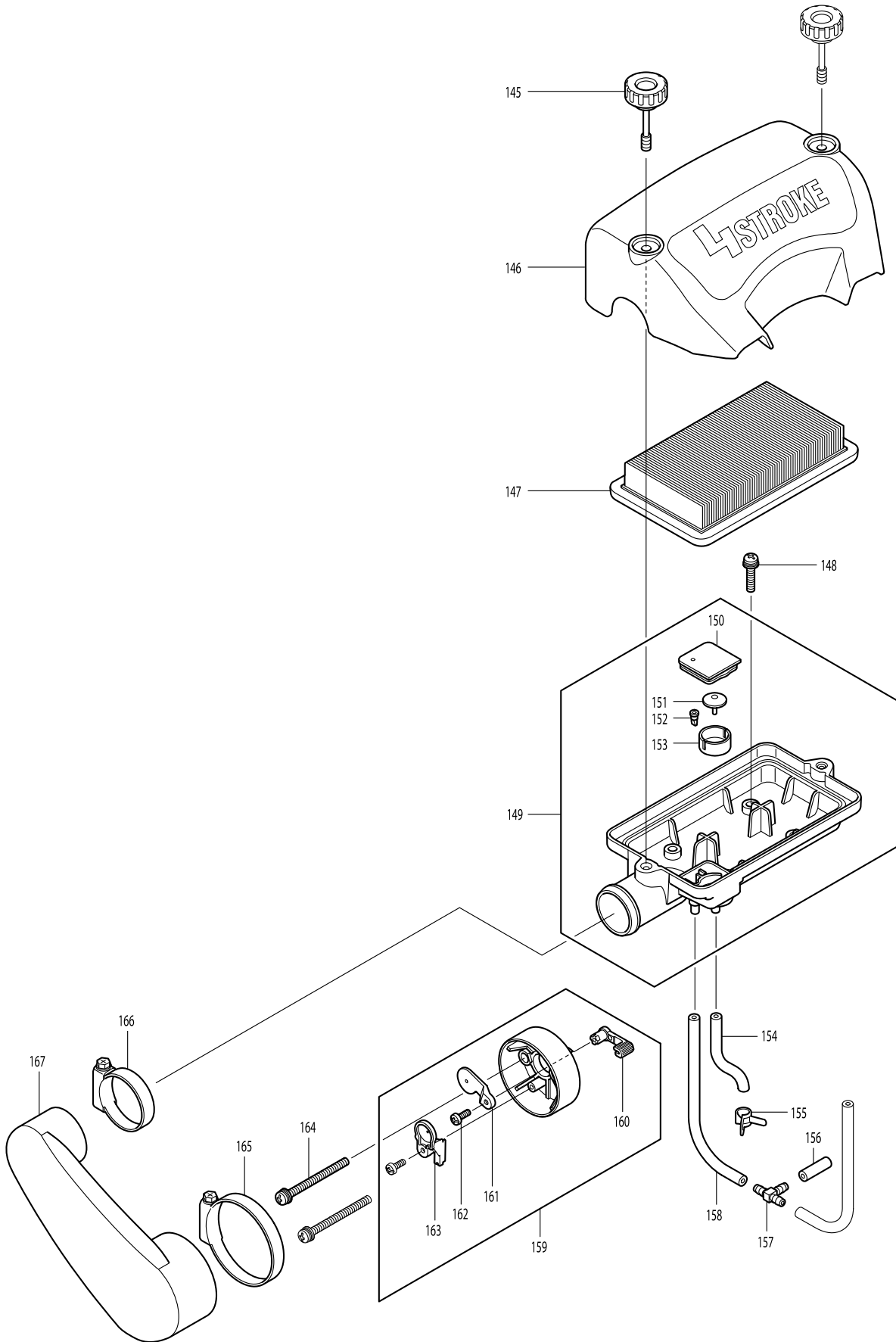
# Model No. BBX7600 ENGINE BLOWER



# Model No. BBX7600 ENGINE BLOWER

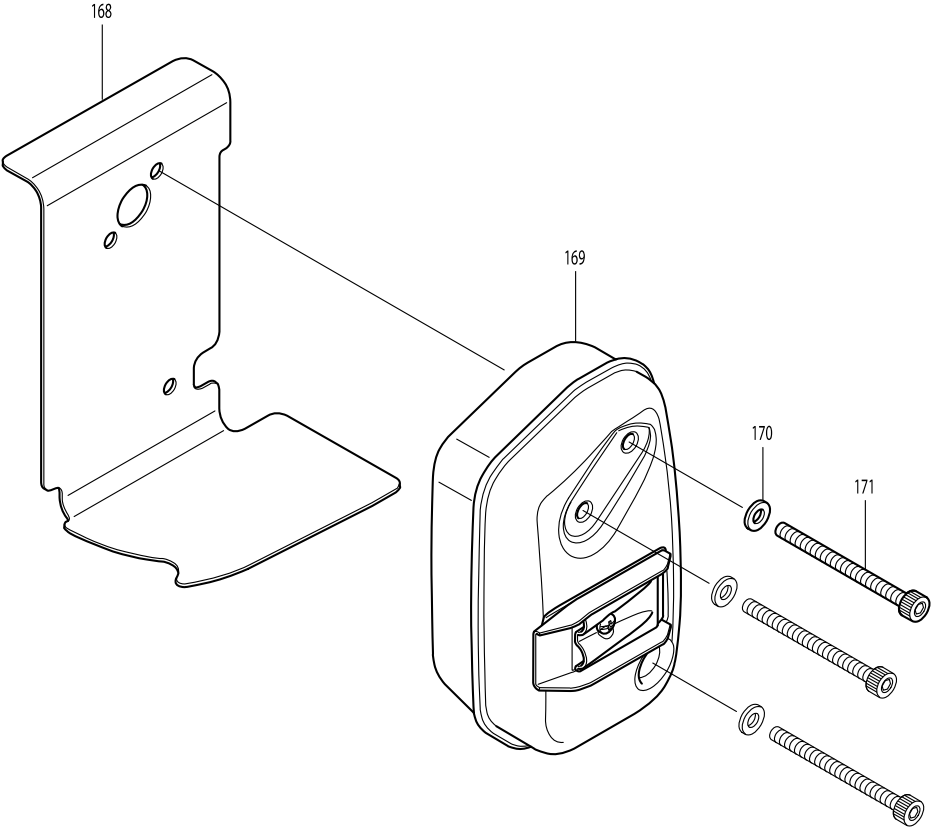


# Model No. BBX7600 ENGINE BLOWER

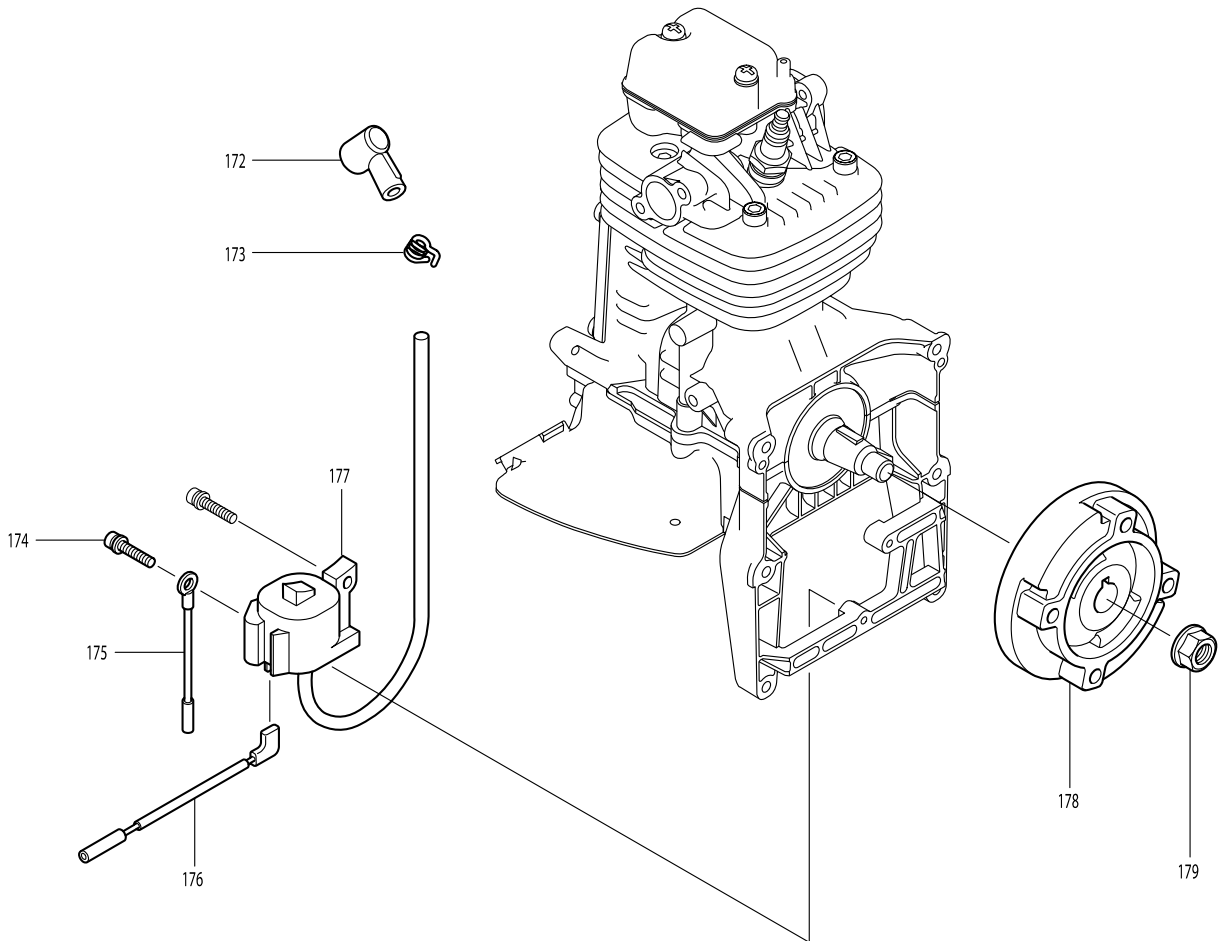




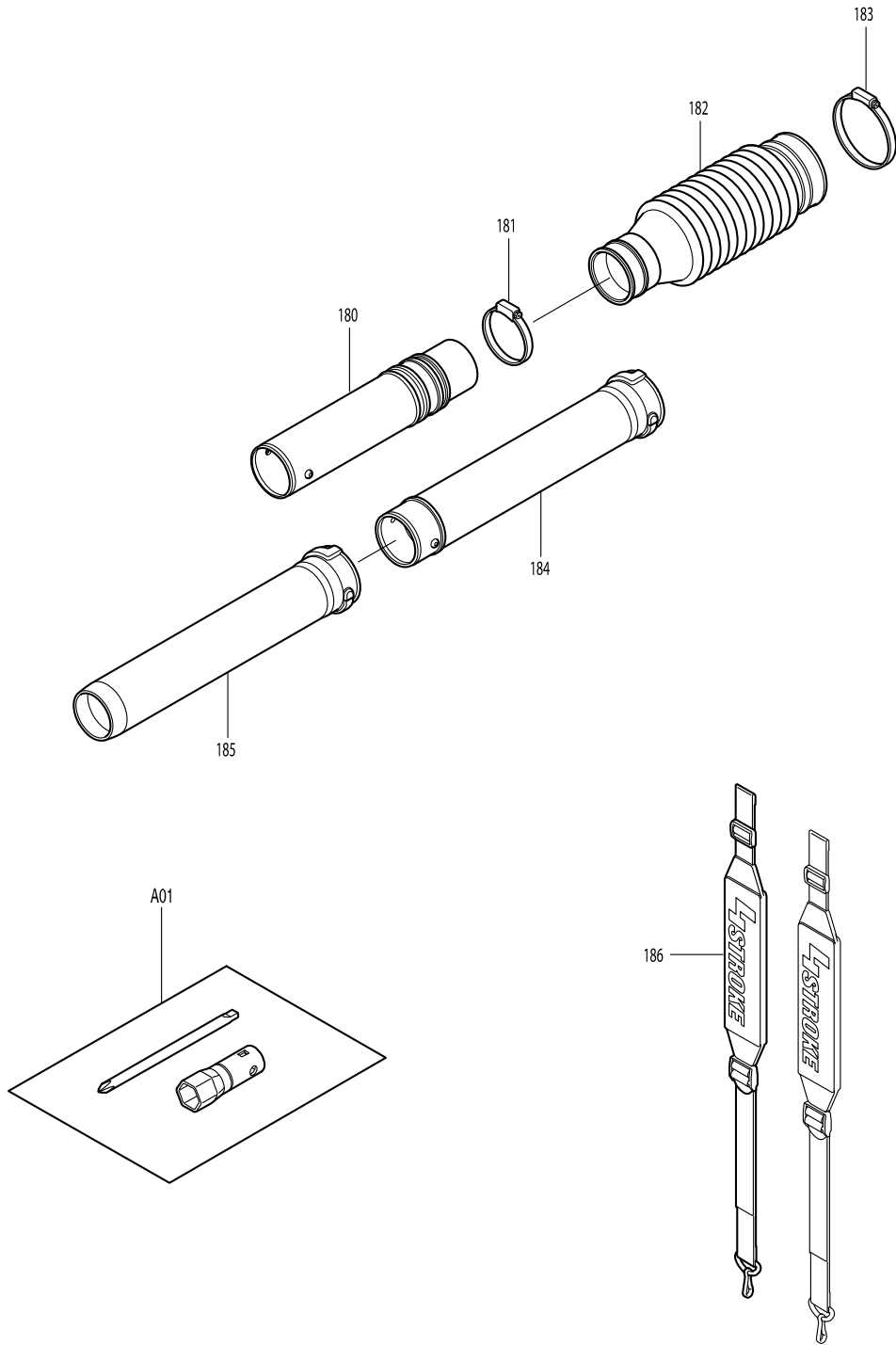
Model No. BBX7600 ENGINE BLOWER



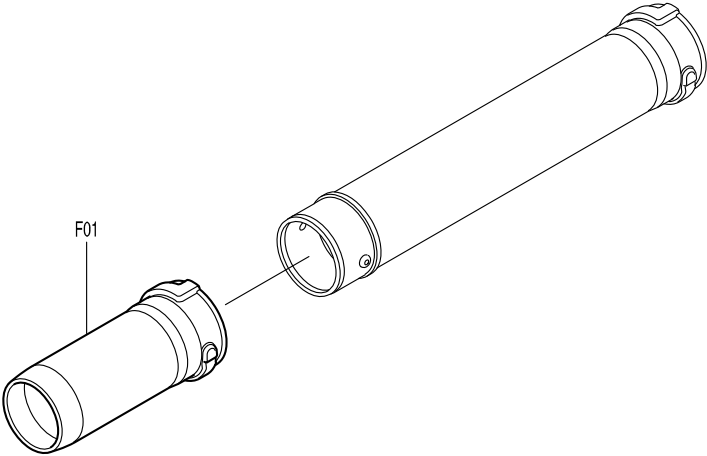
# Model No. BBX7600 ENGINE BLOWER



# Model No. BBX7600 ENGINE BLOWER



**Model No. BBX7600 ENGINE BLOWER**



# Model No. BBX7600 ENGINE BLOWER

Item	Parts No.	Description	I/C	Qty	N/O	Opt. 1	Opt. 2	Note
001-1	6671007001	VOLUTE CASE 1 ASSY		1				
D10		INC.2						
002	6671005010	SQUARE NUT		2	*			
002-1	6671005011	SQUARE NUT	O	2				
003	0140059220	SCREW ASSY M5X65 (W.SW)		2				
004	6671002000	DAMPER 1 COMPL		1				
005	0200059910	WASHER M5		1				
006	0043105400	PAN HEAD SCREW M5X40		1				
007	0150059730	TAPPING SCREW 5X25		3				
008	6671001000	INLET COVER COMPL		1				
009-1	0150059800	TAPPING SCREW M5X18		9				
010	6671003000	DAMPER 2 COMPL		2				
011	0119069690	SOCKET HEAD BOLT M6X40 (W.SW)		4	*			
011-1	0119069691	SOCKET HEAD BOLT M6X40 (W.SW)	<	4				
012-1	240138-1	IMPELLER		1				
013	0563379990	WIRE BAND		1				
014	6671500400	ELBOW		1				
015	0240989990	O RING		1	*			
015-1	213645-7	O RING 93	O	1				
016-1	266649-8	SOCKET HEAD BOLT M6X30		6				
017	6671500200	BASE 1		1	*			
017-1	318890-0	BASE L	O	1				
018	6671500300	BASE 2		1	*			
018-1	318891-8	BASE R	O	1				
019-2	6671008002	CASE 2 VOLUTE ASSY		1	*			
D10		INC.20			*			
019-3	6671008003	CASE 2 VOLUTE ASSY	O	1				
D10		INC.20						
020	6671005010	SQUARE NUT		2	*			
020-1	6671005011	SQUARE NUT	O	2				
021	0170059950	NUT M5		2	*			
021-1	931202-6	HEX. NUT M5	O	2				
022-1	892460-8	CAUTION LABEL		1				
025	0736309870	LABEL		1	*			
025-1	898343-0	CAUTION LABEL	O	1				
026-1	450964-2	PLUG COVER		1				
027-1	0150059800	TAPPING SCREW M5X18		4				
028	6676500100	OIL GUARD		1	*			
028-1	424504-2	OIL GUARD	O	1				
029-1	898454-1	CHOKE LABEL		1				
030-4	453712-8	ENGINE COVER		1	*			
030-5	141521-4	ENGINE COVER COMPLETE	<	1				
D10		INC.25,190-192			*			
D11		INC.25,190-192,206						
031-1	412119-7	TUBE GUARD 20-160		1				
032-1	168396-6	BREATHER		1				
033-1	125472-9	FUEL TANK CAP ASSEMBLY		1				
034	0851339960	TUBE		1				

# Model No. BBX7600 ENGINE BLOWER

Item	Parts No.	Description	I/C	Qty	N/O	Opt. 1	Opt. 2	Note
035-1	345920-4	HOSE CLAMP		1				
036	5806502900	FILTER		1	*			
036-1	163532-9	FILTER	O	1				
037-1	453618-0	FUEL TANK		1				
038	6672500300	ROCK RIVET		4				
039	6672002000	GUARD COMPL		1				
040	0043706120	SCREW ASSY M6X12 (W.SW)		2				
041	0023706000	FLANGE NUT M6		2	*			
041-1	264092-5	FLANGE NUT M6	O	2				
042	6672001000	FRAME COMPL		1				
043	0140059210	SCREW ASSY M5X16 (W.SW)		2				
044	6672500200	ROCK RIVET		6				
045-1	6672003000	CUSHION COMPLETE		1				
046-1	6675001002	CONTROL LEVER ASSY		1	*			
D10		INC.47-59			*			
046-2	126137-6	CONTROL LEVER ASSEMBLY	O	1	*			
D10		INC.47-59			*			
046-3	197095-3	CONTROL LEVER SET	O	1				
D10		INC.47-59						
047	6675001010	SOCKET HEAD BOLT M6X20		1	*			
047-1	922317-0	HEX. SOCKET HEAD BOLT M6X14	O	1				
048	0032206000	WAVE WASHER		1	*			
048-1	267841-9	WAVE WASHER 7	O	1				
049	0031106000	WASHER		1	*			
049-1	267459-6	FLAT WASHER 7	O	1				
050	6625500701	THROTTLE LEVER 2		1	*			
050-1	453717-8	LEVER 2 THROTTLE	O	1				
051	0170069960	NUT		1	*			
051-1	931302-2	HEX. NUT M6	O	1				
052	6625500601	THROTTLE LEVER 1		1	*			
052-1	453716-0	LEVER 1 THROTTLE	O	1				
053	6625500901	TORSION SPRING		1	*			
053-1	233602-9	TORSION SPRING 9	O	1				
054	6675001030	SCREW M5X25		1	*			
054-1	911242-0	PAN HEAD SCREW M5X25	O	1				
055	6675004000	SWITCH COMPL		1	*			
055-1	168745-7	SWITCH COMPLETE	O	1				
056	6675001020	TAPPING SCREW 4X16		5	*			
056-1	266768-0	TAPPING SCREW 4X16	O	5				
057	0170059950	NUT M5		1	*			
057-1	931202-6	HEX. NUT M5	O	1	*			
057-2	252103-8	HEX. LOCK NUT M5-8	X	1				
058	6675500001	CABLE TUBE		1	*			
058-1	453715-2	TUBE CABLE	O	1				
059	0630139820	CONTROL CABLE		1	*			
059-1	168744-9	CONTROL CABLE	O	1				
060-2	266789-2	H.S.H.BOLT M5X30 WITH WR		2	*			
060-3	922253-0	H.S.H.BOLT M5X30 WITH WR	O	2				

# Model No. BBX7600 ENGINE BLOWER

Item	Parts No.	Description	I/C	Qty	N/O	Opt. 1	Opt. 2	Note
061-2	141771-1	ROCKER COVER COMPLETE		1				
062-1	5971500900	ROCKER COVER GASKET		1				
063-1	5971003002	CYLINDER HEAD COMPL		1	*			
D10		INC. 98,99			*			
063-2	142381-7	CYLINDER HEAD COMPLETE	<	1	*			
D10		INC. 98,99			*			
063-3	142771-4	CYLINDER HEAD COMPLETE	<	1				
C10	313283-6	VALVE GUIDE		2				
C20	424424-0	VALVE STEM SEAL		1				
D10		INC. 98,99						
064-2	442167-2	CYLINDER HEAD GASKET		1				
065-1	168401-9	SPARK PLUG		1				
066	0119069670	SOCKET HEAD BOLT M6X35		5	*			
066-1	922357-8	HEX. SOCKET HEAD BOLT M6X35	O	5				
067-1	5971007001	CYLINDER BLOCK SET		1				
D10		INC.68,69						
068-1	424201-0	CHECK VALVE		2				
069	0119069930	HEX. SOCKET HEAD BOLT M6X30		6	*			
069-1	922352-8	HEX. SOCKET HEAD BOLT M6X30	O	6				
070-2	442168-0	CAM GEAR GASKET		1				
071-1	318725-5	CAM GEAR COVER		1				
072-2	266813-1	H.S.H.BOLT M5X16 WITH WR		4				
073	6676005000	OIL CAP ASSY		1				
D10		INC.74						
074	0213229980	GASKET		1				
075-1	346083-9	LEAD VALVE		1				
076	5931501300	RETAINER PLATE		1				
077	0119049980	SOCKET HEAD BOLT M4X10		1				
078	5976500100	OIL CASE GASKET		1				
079	5976500000	OIL CASE		1	*			
079-1	319008-6	OIL CASE	O	1				
080	0037008000	ALUMINUM GASKET		1	*			
080-1	346452-4	GASKET	O	1				
081	0016608120	BOLT M8X12		1	*			
081-1	266916-1	HEX. BOLT M8X12	O	1				
082-1	0119059390	SOCKET HEAD BOLT M5X25		5	*			
082-2	922243-3	HEX. SOCKET HEAD BOLT M5X25	O	5				
083	0851109960	TUBE		1				
084	5972003000	PISTON RING SET		1				
085-2	318726-3	PISTON		1				
086-1	213599-8	OIL SEAL 17		1	*			
086-2	213599-8	OIL SEAL 17	O	1				
087-1	5802500702	PISTON PIN		1	*			
087-2	257344-1	PISTON PIN	O	1				
088-1	233995-4	RING SPRING 12		2				
089	0610129940	NEEDLE ROLLER BEARING		1				
090	0323049950	WOODRUFF KEY		1				
091-1	267448-1	FLAT WASHER 41		1				

# Model No. BBX7600 ENGINE BLOWER

Item	Parts No.	Description	I/C	Qty	N/O	Opt. 1	Opt. 2	Note
092-1	213598-0	OIL SEAL(L)		1				
093-1	5972002002	CRANKSHAFT COMPL		1	*			
093-2	142205-7	CRANK SHAFT COMPLETE	O	1	*			
093-3	126576-0	CRANK SHAFT ASSEMBLY	O	1				
094-1	331964-0	INTAKE VALVE		1				
095-3	331965-8	EXHAUST VALVE		1				
096-1	234212-5	COMPRESSION SPRING 11		2				
097-1	331966-6	RETAINER		2				
098-1	5973500501	SHAFT ROCKER ARM		1	*			
098-2	268310-3	PIN 5	O	1	*			
099-2	126005-3	ROCKER ARM ASSEMBLY		2	*			
100-1	256526-2	PUSH ROD		2				
101	5973500700	SHAFT CAM LIFTER		1	*			
101-1	256186-0	PIN 5	O	1				
102-1	5973500601	CAM LIFTER		1	*			
102-2	313266-6	CAM LIFTER L	<	1				
103-1	5973002002	CAMGEAR ASSY		1				
C10	5973003002	CAMGEAR COMPL		1				
C20	5973501600	SPRING		1				
C30	5973501400	FLY WEIGHT		1				
C40	346434-6	CAM GEAR PLATE		1				
104-1	256200-2	PIN 5		1				
105	5975001000	STARTER REWIND		1				
D10		INC.106-115						
106	5975500000	PULLEY		1				
107-1	266585-8	TAPPING SCREW 5X12		1				
108-1	424516-5	COLLAR		1				
109-1	326200-7	SWING ARM		2				
110-1	234257-3	FRICTION SPRING		1				
111-1	424360-0	ROPE STOPPER		1				
112-1	424361-8	STARTER KNOB		1				
113	5975002110	STARTER ROPE		1	*			
113-1	444043-6	STARTER ROPE	O	1				
114-1	441075-4	REEL		1				
115-1	232262-4	SPIRAL SPRING		1				
116-1	266788-4	PAN HEAD SCREW M5X20 WITH WR		3				
117	6679500702	MODEL LABEL		1	*			
117-1	6679500703	MODEL LABEL	O	1				
118	5973501200	CARBURETOR GASKET		1				
119-3	266749-4	HEX. S.H.B. M5X25 WITH WR		2				
120	5973009001	INSULATOR COMPL		1	*			
120-1	453858-0	INSULATOR	O	1				
121-1	162333-2	INSULATOR GASKET		1				
122-1	0119059490	SOCKET HEAD BOLT M5X14 (W,SW)		1				
123	5976001000	CARBURETOR		1				
D10		INC.124,126-144						
124-1	5976001010	PUMP BODY ASSY		1				
D10		INC.125						



# Model No. BBX7600 ENGINE BLOWER

Item	Parts No.	Description	I/C	Qty	N/O	Opt. 1	Opt. 2	Note
125-1	352010-6	INLET SCREEN		1				
126-1	442154-1	METERING DIAPHRAGM GASKET		1				
127-1	168574-8	METERING DIAPHRAGM		1				
128-1	140438-8	AIR PURGE BODY		1				
129-1	424314-7	PRIMER PUMP		1				
130-1	346270-0	PRIMER PUMP COVER		1				
131-1	266582-4	TAPPING SCREW 3X24		4				
132-1	266795-7	ADJUST SCREW		1				
133-1	264065-8	CABLE ADJUST NUT M6		1				
134-1	325922-6	SWIVEL		1				
135-1	413140-9	WASHER		1				
136-1	266704-6	PAN HEAD SCREW M3X10		2				
137-1	346491-4	BRACKET CABLE		1				
138-1	257964-1	STOP RING E-3		1				
139-1	424444-4	PACKING RING		1				
140-1	234183-6	CONICAL COMPRESSION SPRING 5-9		1				
141-1	213538-8	O RING 2		1				
142	5976001020	JET #60		1	*			
142-1	WJ00112478	MAIN JET	O	1				
143-1	442155-9	PUMP GASKET		1				
144-1	168575-6	PUMP DIAPHRAGM		1				
145	6676501200	KNOB BOLT M5X45		2				
146-1	6676002002	AIR CLEANER COVER		1				
147-1	6676500201	AIR CLEANER ELEMENT		1				
148-1	266494-1	+ PAN HEAD SCREW M5X16		4				
149-2	6676003002	AIR CLEANER CASE ASSY		1	*			
D10		INC.150-153			*			
149-3	126377-6	AIR CLEANER CASE ASSEMBLY	<	1				
D10		INC.150-153						
150-1	6676501300	SEPARATOR PLATE		1	*			
150-2	162358-6	SEPARATOR PLATE	<	1				
151-1	424315-5	CHECK VALVE		1				
152-1	424316-3	CHECK VALVE		1				
153-1	6676500500	CHECK VALVE PLATE		1	*			
153-2	454834-7	CHECK VALVE PLATE	<	1				
154-2	412129-4	TUBE 3-105		1				
155-2	282027-4	HOSE CLAMP 6		1				
156-1	422096-5	TUBE 3-25		1				
157-1	452952-5	HOSE JOINT		1				
158-1	0851199960	TUBE 3-190		1				
159	5973006000	INTAKE CASE ASSY		1				
D10		INC.160-163						
160	5973501800	CHOKE LEVER		1				
161	5973501700	CHOKE PLATE		1				
162	5973006010	TAPPING SCREW 4X12		2				
163	5973501900	INTAKE PLATE		1				
164	0043605650	SCREW ASSY M5X65		2	*			
164-1	911288-6	PAN HEAD SCREW M5X65	O	2				

# Model No. BBX7600 ENGINE BLOWER

Item	Parts No.	Description	I/C	Qty	N/O	Opt. 1	Opt. 2	Note
165	0561679990	HOSE CLAMP		1				
166	0561439990	HOSE CLAMP		1				
167-1	6676500400	AIR CLEANER DUCT		1				
168	5973501301	MUFFLER GASKET		1	*			
168-1	5973501302	MUFFLER GASKET	O	1	*			
168-2	346682-7	MUFFLER GASKET	O	1				
169-2	5973001003	MUFFLER EXHAUST		1				
171-1	266771-1	SOCKET HEAD BOLT M6X18		3				
172-1	424105-6	PLUG CAP		1				
173-1	324891-8	PLUG CAP SPRING		1				
174	0119049970	SOCKET HEAD BOLT M4X20		2				
175-1	638784-6	WIRE		1				
176-1	638710-5	LEAD WIRE		1				
177	5977001010	IGNITION COIL		1				
178	5977001020	FLYWHEEL COMPL		1				
179-1	264054-3	FLANGE NUT M10		1				
180	6679002000	SWIVEL PIPE COMPL		1	*			
180-1	168746-5	SWIVEL PIPE COMPLETE	O	1				
181	0561769990	HOSE CLAMP		1				
182	6679500000	FLEXIBLE PIPE		1	*			
182-1	412115-5	FLEXIBLE PIPE	O	1				
183	0561009990	HOSE CLAMP		1				
184	6679501801	STRAIGHT PIPE		1	*			
184-1	455633-0	STRAIGHT PIPE 450	O	1				
185	6679501900	END PIPE		1	*			
185-1	455632-2	END PIPE 450	O	1				
186	6679001000	BAND COMPL		2				
187	5973502300	CAM LIFTER		1	*			
187-1	313267-4	CAM LIFTER R	<	1				
188	6672500400	FAN COVER		1				
189	6672500300	ROCK RIVET		2				
190-1	443174-8	INSULATION LABEL A		1				
191-1	443175-6	INSULATION LABEL B		1				
192-1	443176-4	INSULATION LABEL C		1				
198	331967-4	COTTER		4				
199	331937-3	EXHAUST PORT SPACER		1				
200-1	412130-9	TUBE 10-50		1				
201	412127-8	TUBE 10-170		1				
202	412124-4	TUBE 10-220		1				
203	412122-8	TUBE 3-240		1				
204	814K82-0	SERIAL NO. LABEL		1				
205	135600-8	CYLINDER HEAD ASS'Y 76CC		1	*			
D10		INC. 63,94-97,198			*			
205-1	135619-7	CYLINDER HEAD ASS'Y 76CC	<	1				
D10		INC. 63,94-97,198						
206	443193-4	INSULATION LABEL D		1				
A01-1	194717-6	BOX WRENCH SET		1				
A02	6679504400	END PIPE		1	*			

