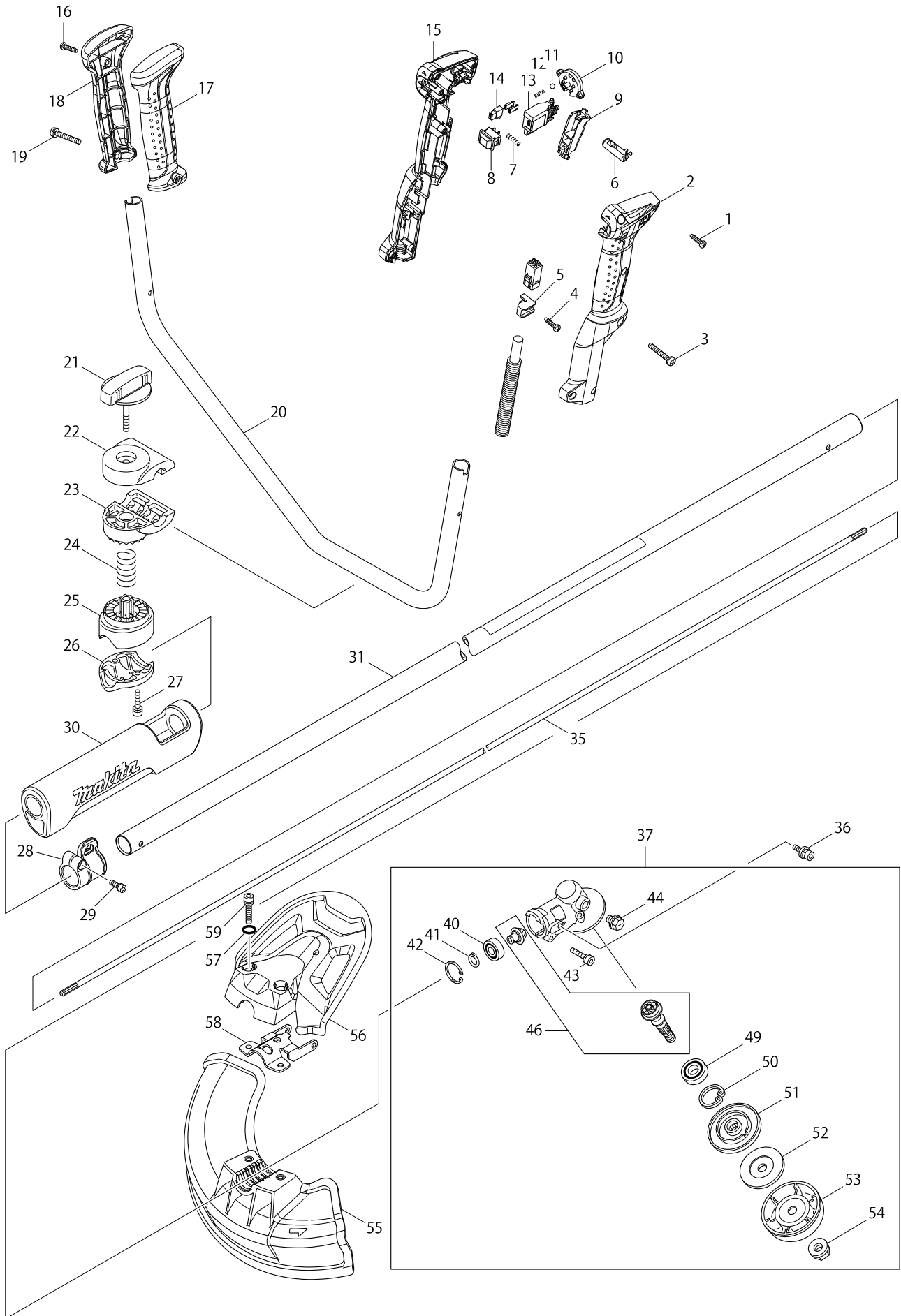
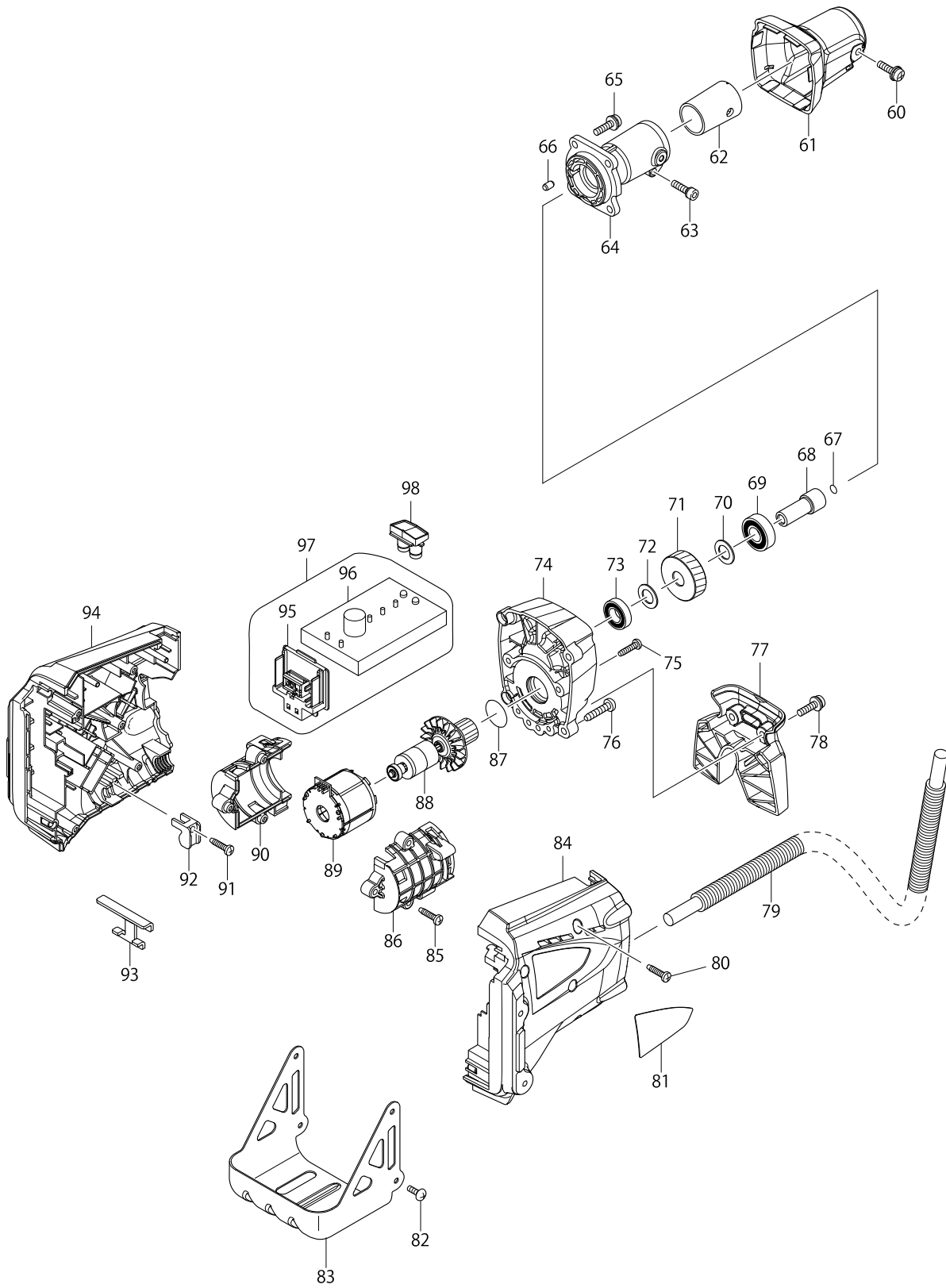


Model No. BBC231U 230MM CORDLESS BRUSHCUTTER



Model No. BBC231U 230MM CORDLESS BRUSHCUTTER



Model No. BBC231U 230MM CORDLESS BRUSHCUTTER

Item	Parts No.	Description	I/C	Qty	N/O	Opt. 1	Opt. 2	Note
001	265995-6	TAPPING SCREW 4X18		6				
002	188839-2	MAIN GRIP SET		1				
D10		INC. 15						
003	911256-9	PAN HEAD SCREW M5X35		1				
004	265995-6	TAPPING SCREW 4X18		1				
005	687261-5	STRAIN RELIEF		1				
006	451571-4	LOCK OFF BUTTON		1				
007	231473-8	COMPRESSION SPRING 4		1	*			
007-1	234079-1	COMPRESSION SPRING 4	<	1				
008	651533-4	SWITCH SLE6A2-33		1				
009	451573-0	SWITCH LEVER		1	*			
009-1	452594-5	SWITCH LEVER	<	1				
010	451574-8	INDICATOR		1				
011	216018-3	STEEL BALL 5.0		1				
012	233211-4	COMPRESSION SPRING 2		1				
013	650629-8	SWITCH TGR3-2		1	*			
013-1	650629-8	SWITCH TGR3-2	S	1				
014	686015-7	RECEPTACLE SLEEVE		1				
015	188839-2	MAIN GRIP SET		1				
D10		INC. 2						
016	265995-6	TAPPING SCREW 4X18		1				
017	188659-4	GRIP SET		1				
D10		INC. 18						
018	188659-4	GRIP SET		1				
D10		INC. 17						
019	911256-9	PAN HEAD SCREW M5X35		1				
020	331862-8	HANDLE 19		1				
021	168524-3	KNOB 57		1	*			
021-1	168796-0	KNOB 57	<	1				
022	318429-9	HANDLE CLAMP		1				
023	318428-1	HANDLE HOLDER		1				
024	233202-5	COMPRESSION SPRING 20		1				
025	318427-3	PIPE HOLDER		1				
026	318426-5	PIPE CLAMP		1				
027	922241-7	HEX. SOCKET HEAD BOLT M5X25		2				
028	168478-4	HANGER		1				
029	922228-9	H.S.H.BOLT M5X18 WITH WR		1				
030	424290-5	CUSHION		1	*			
030-1	424290-5	CUSHION	O	1	*			
030-2	424463-0	CUSHION	S	1				
031	140284-9	SHAFT PIPE COMPLETE		1	*			
C10	810558-9	CAUTION LABEL		1	*			
031-1	141091-3	SHAFT PIPE COMPLETE	<	1				
C10	810558-9	CAUTION LABEL		1				
C20	819312-8	MAKITA LOGO LABEL		1				
035	325812-3	SHAFT		1				
036	922218-2	H.S.H.BOLT M5X14 WITH WR		2				
037	125556-3	GEAR CASE ASSEMBLY		1				

Model No. BBC231U 230MM CORDLESS BRUSHCUTTER

Item	Parts No.	Description	I/C	Qty	N/O	Opt. 1	Opt. 2	Note
D10		INC. 40-44,46,49-54						
040	210049-4	BALL BEARING 609ZZ		1				
041	961005-4	RETAINING RING S-9		1				
042	962103-7	RETAINING RING R-24		1				
043	922241-7	HEX. SOCKET HEAD BOLT M5X25		1				
044	265590-2	+HEX.BOLT M8X10 WITH R		1				
046	188902-1	CUTTER SHAFT SET		1	*			
046-1	183A00-2	CUTTER SHAFT SET	O	1				
049	210115-7	BALL BEARING 6001LLU		1				
050	962106-1	RETAINING RING R-28		1				
051	331861-0	RECEIVE WASHER		1				
052	346084-7	CLAMP WASHER		1				
053	168526-9	CUP		1				
054	264025-0	HEX. NUT M10-17		1				
055	451566-7	PROTECTOR		1				
056	451565-9	PROTECTOR COVER		1				
057	213105-9	O RING 11		2				
058	346073-2	PROTECTOR CLAMP		1				
059	922353-6	HEX.SOCKET HEAD BOLT M6X30		2				
060	911233-1	PAN HEAD SCREW M5X20		1				
061	451578-0	PIPE BRACKET COVER		1				
062	424307-4	PIPE RUBBER		1				
063	922231-0	HEX. SOCKET HEAD BOLT M5X20		1				
064	318560-1	PIPE BRACKET		1				
065	911233-1	PAN HEAD SCREW M5X20		4				
066	263002-9	RUBBER PIN 4		1				
067	213045-1	O-RING 6		1				
068	325811-5	SPINDLE HUB		1				
069	211148-5	BALL BEARING 6001ZZ		1				
070	253744-3	FLAT WASHER 12		1				
071	227720-3	HELICAL GEAR 33		1				
072	253744-3	FLAT WASHER 12		1				
073	211150-8	BALL BEARING 6901ZZ		1				
074	318559-6	GEAR BOX		1				
075	265995-6	TAPPING SCREW 4X18		4				
076	266041-8	TAPPING SCREW 5X25		4				
077	451572-2	STAND		1				
078	911233-1	PAN HEAD SCREW M5X20		2				
079	699045-9	POWER SUPPLY CORD UNIT		1				
080	265995-6	TAPPING SCREW 4X18		5				
081	867943-7	BBC231U NAME PLATE		1	*			
081-1	896445-6	BBC231U NAME PLATE	<	1				
082	251314-2	+ SCREW M4X12		4				
083	346194-0	BATTERY GUARD		1				
084	188836-8	HOUSING SET		1				
D10		INC. 94						
085	265995-6	TAPPING SCREW 4X18		3				
086	188838-4	MOTOR HOUSING SET		1				

Model No. BBC231U 230MM CORDLESS BRUSHCUTTER

Item	Parts No.	Description	I/C	Qty	N/O	Opt. 1	Opt. 2	Note
D10		INC. 90						
087	213961-7	O RING 22		1				
088	619254-4	ROTOR		1				
089	629880-1	STATOR		1				
090	188838-4	MOTOR HOUSING SET		1				
D10		INC. 86						
091	265995-6	TAPPING SCREW 4X18		1				
092	687261-5	STRAIN RELIEF		1				
093	346039-2	SUPPORT PLATE		1				
094	188836-8	HOUSING SET		1				
D10		INC. 84						
095	643849-1	TERMINAL		1				
096	631942-3	CONTROLLER		1				
097	631941-5	CONTROLLER COMPLETE		1				
D10		INC. 95,96						
098	140285-7	INDICATION PLATE COMPLETE		1				
A01	122906-3	BAND ASSY		1				
C10	140400-3	HOOK COMPLETE		1				
A02	140583-9	PROTECTOR EXTENSION COMPLETE		1				
C10	891041-5	INDICATION LABEL		1				
A03	265995-6	TAPPING SCREW 4X18		1				
A04	346280-7	CUTTER		1				
A05	450573-7	TOOL COVER		2				
A06	782210-8	SOCKET WRENCH 17		1				
A07	783202-0	HEX. WRENCH 4		1				
A08	783217-7	HEX. WRENCH 5		1				
A09	831304-7	ACCESSORY BAG		1				
A10	***DC36RA	DC36RA FAST CHARGER		1				
A11	194873-2	BATTERY BL3626 SET		2	*			
A11-1	194873-2	BATTERY BL3626 SET	O	2				
A12	451153-2	BATTERY COVER		1				
A13	195150-5	CUTTER BLADE SET		1	*			
A13-1	B-14118	STAR BLADE 230X4TX25.4	<	1				