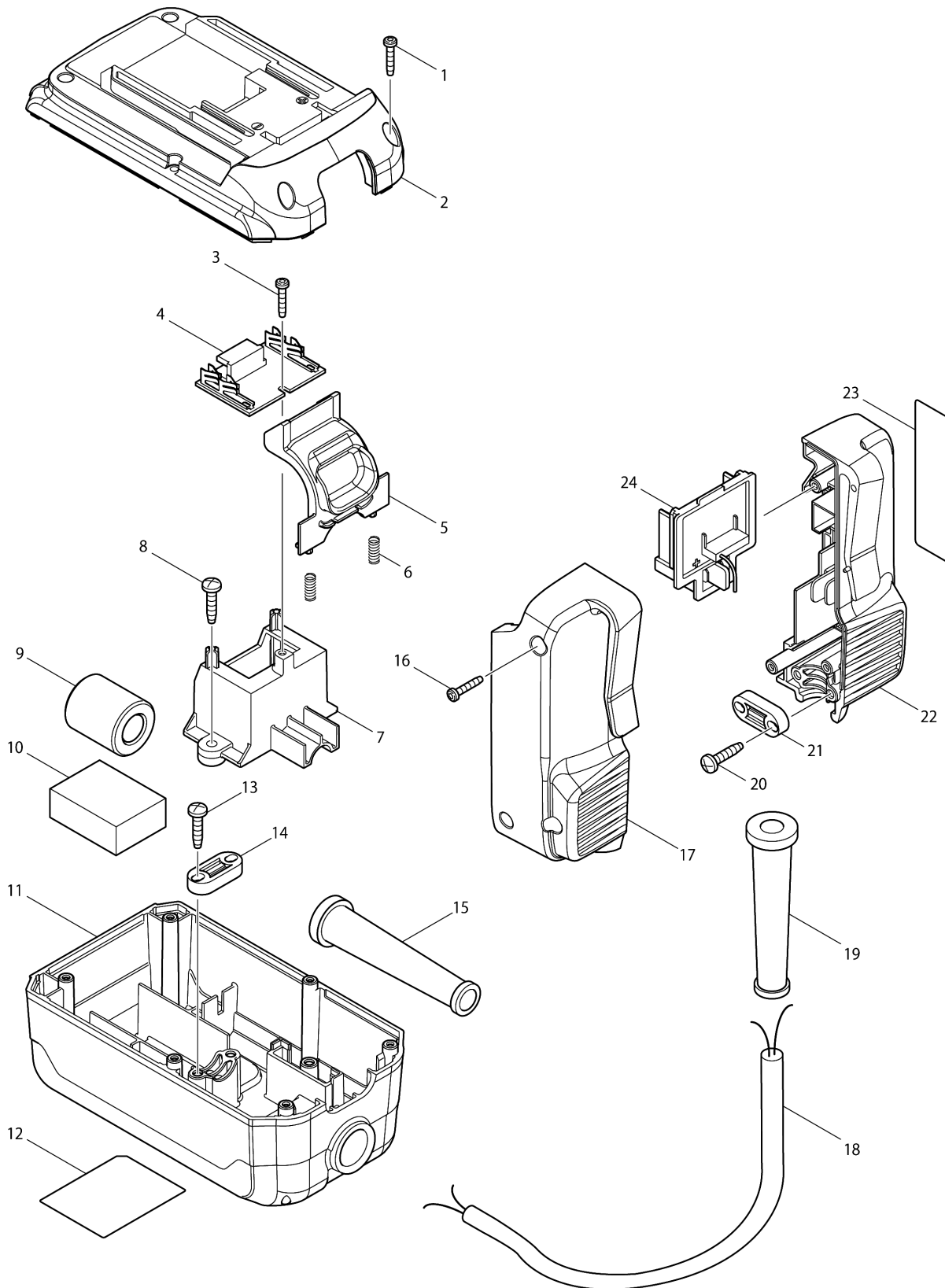


Model No.BAP36 BATTERY ADAPTER



Model No.BAP36 BATTERY ADAPTER

Item	Parts No.	Description	I/C	Qty	New/Old	Opt. 1	Opt. 2	Note
001	266277-9	TAPPING SCREW TORX 3X16		6				
002	451255-4	OUTER CASE (UPPER)		1	*			
002-1	452190-9	OUTER CASE (UPPER)	O	1				
003	266277-9	TAPPING SCREW TORX 3X16		1				
004	631879-4	TERMINAL BOARD COMPLETE		1				
005	140100-5	HOOK COMPLETE		1				
006	234120-0	COMPRESSION SPRING 4		2				
007	451260-1	INNER SUPPORT		1				
008	266326-2	TAPPING SCREW 4X18		2				
009	688140-0	LINE FILTER		1				
010	685718-0	SPONGE SHEET		1				
011	451256-2	OUTER CASE (UNDER)		1				
012	866678-7	BAP36 NAME PLATE(FOR PARTS)		1				
013	266326-2	TAPPING SCREW 4X18		2				
014	687140-7	STRAIN RELIEF		1				
015	682504-0	CORD GUARD 10-85		1				
016	266277-9	TAPPING SCREW TORX 3X16		3				
017	188744-3	CASE SET		1				
D10		INC. 22,23						
018	660280-6	POWER SUPPLY CORD		1				
019	682504-0	CORD GUARD 10-85		1				
020	266326-2	TAPPING SCREW 4X18		2				
021	687140-7	STRAIN RELIEF		1				
022	188744-3	CASE SET		1				
D10		INC. 17,23						
023	819353-4	MAKITA LOGO LABEL		1				
024	638667-0	TERMINAL UNIT		1				
024A_	638978-3	TERMINAL UNIT		1				

Please order the parts with part number.

Print Date 3/6/2019

