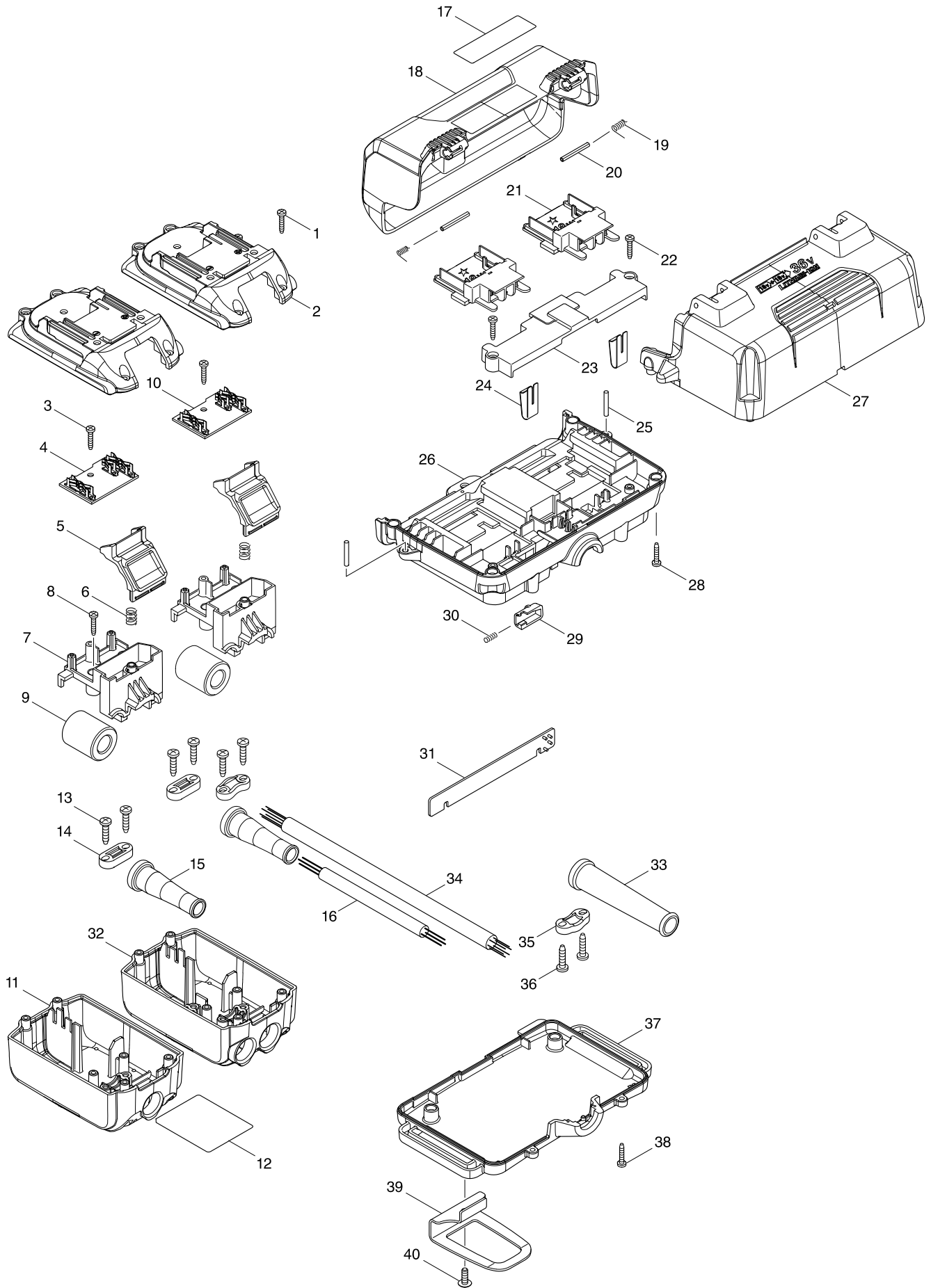


Model No. BAP182 BATTERY ADAPTER



Model No. BAP182 BATTERY ADAPTER

Item	Parts No.	Description	I/C	Qty	N/O	Opt. 1	Opt. 2	Note
001	266130-9	TAPPING SCREW BIND PT 3X16		8				
002	456389-8	OUTER CASE A(UPPER)		2				
003	266130-9	TAPPING SCREW BIND PT 3X16		2				
004	620491-5	TERMINAL BOARD COMPLETE-B		1				
005	455245-9	HOOK		2				
006	233441-7	COMPRESSION SPRING 8		2				
007	456392-9	INNER SUPPORT		2				
008	266130-9	TAPPING SCREW BIND PT 3X16		4				
009	688140-0	LINE FILTER		2				
010	620490-7	TERMINAL BOARD COMPLETE-A		1				
011	456387-2	OUTER CASE A (UNDER)		1				
012	851L10-0	BAP182 NAME PLATE		1				
013	266326-2	TAPPING SCREW 4X18		4				
014	687140-7	STRAIN RELIEF		2				
015	682095-1	CORD GUARD		2				
016	660331-5	POWER SUPPLY CORD		1				
017	819285-5	MAKITA LOGO LABEL		1				
018	187081-2	BATTERY COVER SET		1				
C10	892537-9	CAUTION LABEL		1				
D10		INC. 17						
019	233584-5	TORSION SPRING 4		2				
020	951075-1	SPRING PIN 3-28		2				
021	643899-6	TERMINAL		2				
022	266130-9	TAPPING SCREW BIND PT 3X16		2				
023	452636-5	TERMINAL HOLDER		1				
024	232267-4	LEAF SPRING		2				
025	256158-5	PIN 3		2				
026	143541-4	CENTER CASE COMPLETE		1				
027	452635-7	UNDER COVER		1				
028	266130-9	TAPPING SCREW BIND PT 3X16		4				
029	452637-3	SLIDE LATCH		1				
030	231293-0	COMPRESSION SPRING 3		1				
031	620489-2	LED CIRCUIT		1				
032	456390-3	OUTER CASE B (UNDER)		1				
033	682575-7	CORD GUARD 12-90		2				
034	660332-3	POWER SUPPLY CORD		1				
035	687149-9	STRAIN RELIEF		2				
036	266326-2	TAPPING SCREW 4X18		4				
037	456386-4	TOP COVER		1				
038	266130-9	TAPPING SCREW BIND PT 3X16		4				
039	346401-1	HOOK		1				
040	266622-8	+ TRUSS HEAD SCREW M4X12		1				