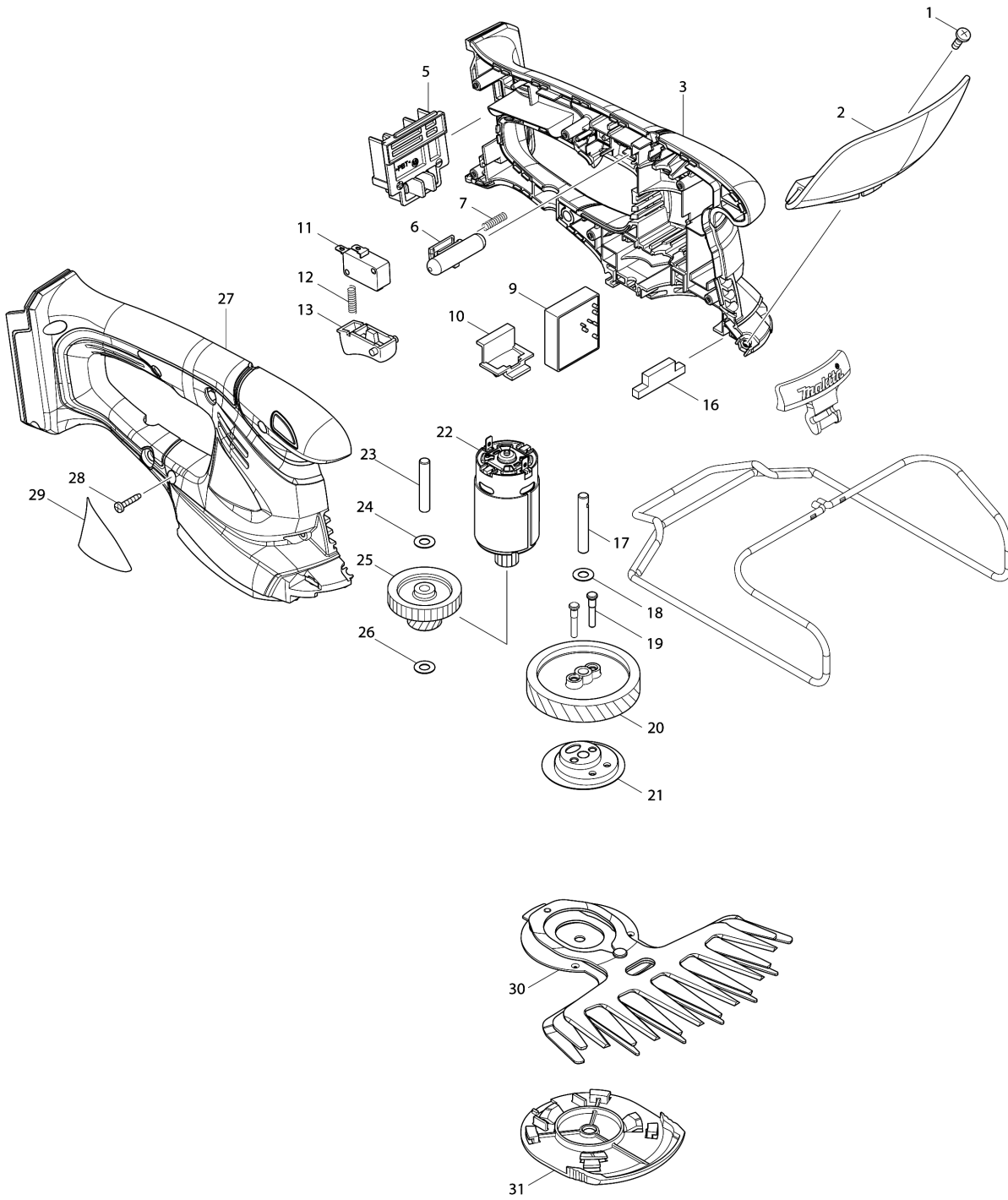


Model No.AX1820 160MM CORDLESS GRASS SHEAR



Model No.AX1820 160MM CORDLESS GRASS SHEAR

Item	Parts No.	Description	I/C	Qty	New/Old	Opt. 1	Opt. 2	Note
001	915116-7	BINDING HEAD SCREW M4X12		1				
002	140599-4	PROTECTOR COMPLETE		1				
C10	819948-3	CAUTION LABEL		1				
003	187298-7	HOUSING SET		1				
C10	931102-0	HEX. NUT M4		1				
C20	346275-0	PLATE		2				
D10		INC. 27						
005	643862-9	TERMINAL		1				
006	452438-9	LOCK OFF BUTTON		1				
007	231473-8	COMPRESSION SPRING 4		1				
009	620118-7	CONTROLLER		1				
010	451812-8	LOCK LEVER		1				
011	651891-8	SWITCH V-15-3A6		1				
012	231473-8	COMPRESSION SPRING 4		1				
013	417564-1	SWITCH LEVER		1				
016	451814-4	DUST GUARD		1				
017	268254-7	PIN 6		1				
018	261122-3	WASHER 6		1				
019	268256-3	PIN 4		2				
020	227728-7	HELICAL GEAR 47		1				
021	165609-6	CRANK COMPLETE		1				
022	629945-9	DC MOTOR		1				
023	268076-5	PIN 6		1				
024	261122-3	WASHER 6		1				
025	226831-1	GEAR 12-31		1				
026	261122-3	WASHER 6		1				
027	187298-7	HOUSING SET		1				
C10	931102-0	HEX. NUT M4		1				
C20	346275-0	PLATE		2				
D10		INC. 3						
028	266429-2	TAPPING SCREW 3X16		6				
029	896928-6	AX-1820 NAME PLATE		1				
030	195242-0	SHEAR BLADE ASSEMBLY SET		1	*			
C10	188369-3	OIL VESSEL SET		1	*			
030-1	195242-0	SHEAR BLADE ASSEMBLY SET	O	1				
C10	188369-3	OIL VESSEL SET		1				
031	140451-6	UNDER COVER COMPLETE		1				
A01	326146-7	BASE FRAME		1				
A02	452076-7	CHANGE LEVER		1				
A03	452055-5	BLADE COVER		1				
A04B	***LG18	LG-18 BATTERY CHARGER		1	*			

Model No.AX1820 160MM CORDLESS GRASS SHEAR

Item	Parts No.	Description	I/C	Qty	New/Old	Opt. 1	Opt. 2	Note
A04C	***LG18	LG-18 BATTERY CHARGER		1	*			
A04D	***LG18	LG-18 BATTERY CHARGER		1	*			
A04-1B	***DC18WA	DC18WA BATTERY CHARGER	O	1				
A04-1C	***DC18WA	DC18WA BATTERY CHARGER	O	1				
A04-1D	***DC18WA	DC18WA BATTERY CHARGER	O	1				
A05B	195766-6	BATTERY AP-18 SET		1	*			
A05C	195766-6	BATTERY AP-18 SET		2	*			
A05-1B	196372-0	BATTERY AP-1813 SET	O	1	*			
A05-1C	196372-0	BATTERY AP-1813 SET	O	2	*			
A05-1D	196372-0	BATTERY AP-1813 SET		1	*			
A05-2B	196372-0	BATTERY AP-1813 SET	O	1	*			
A05-2C	196372-0	BATTERY AP-1813 SET	O	2	*			
A05-2D	196372-0	BATTERY AP-1813 SET	O	1	*			
A05-3B	196366-5	BATTERY BL1813G SET	<	1	*			
A05-3C	196366-5	BATTERY BL1813G SET	<	2	*			
A05-3D	196366-5	BATTERY BL1813G SET	<	1	*			
A05-4B	198186-3	BATTERY BL1815G SET	<	1				
A05-4C	198186-3	BATTERY BL1815G SET	<	2				
A05-4D	198186-3	BATTERY BL1815G SET	<	1				
A06C	195243-8	SHEAR BLADE ASSEMBLY SET		1				
A06D	195243-8	SHEAR BLADE ASSEMBLY SET		1				
A07C	195280-2	CHIP RECEIVER SET		1				
C10	252656-7	THUMB NUT M4		2				
A07D	195280-2	CHIP RECEIVER SET		1				
C10	252656-7	THUMB NUT M4		2				
A08C	195276-3	BLADE COVER SET		1	*			
C10	452198-3	STORAGE CASE		1	*			
A08D	195276-3	BLADE COVER SET		1	*			
C10	452198-3	STORAGE CASE		1	*			
A08-1C	195276-3	BLADE COVER SET	O	1				
C10	452198-3	STORAGE CASE		1				
A08-1D	195276-3	BLADE COVER SET	O	1				
C10	452198-3	STORAGE CASE		1				
A09C	452652-7	BATTERY COVER		1				
A09D	452652-7	BATTERY COVER		1				

Please order the parts with part number.

Print Date 26/9/2021