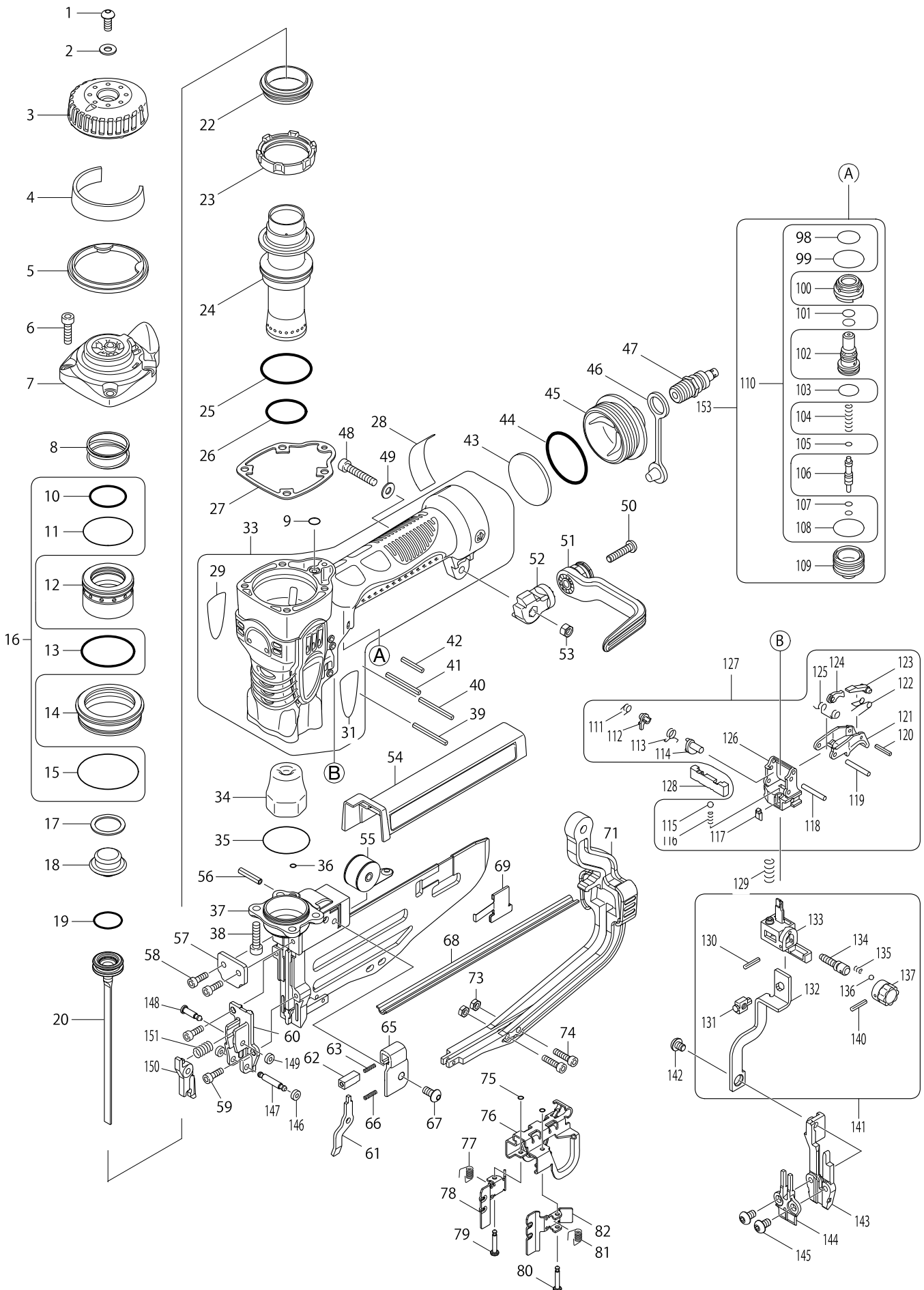


Model No. AT450H FLOOR STAPLER



Model No. AT450H FLOOR STAPLER

Item	Parts No.	Description	I/C	Qty	N/O	Opt. 1	Opt. 2	Note
001	266233-9	HEX. SOCKET HEAD BOLT M5X12		1	*			
001-1	265903-7	HEX. SOCKET HEAD BOLT M5X12	O	1				
002	267343-5	FLAT WASHER 5		1				
003	419764-9	EXHAUT COVER		1				
004	413106-9	FILTER		1				
005	419763-1	COVER SEAL		1				
006	266369-4	HEX SOCKET HEAD BOLT M5X20		4				
007	318252-2	TOP CAP		1				
008	234055-5	COMPRESSION SPRING 27		1				
009	213021-5	O RING 5		1				
010	213393-8	O RING 23		1				
011	213458-6	O RING 34		1				
012	419770-4	HEAD VALVE		1				
013	213510-0	O RING 36		1				
014	331744-4	HEAD VALVE GUIDE		1				
015	213561-3	O RING 42		1				
016	194736-2	AIR LEAK REPAIR SET		1				
D10		INC. 10,11,13,15,110						
017	267344-3	FLAT WASHER 18		1				
018	424146-2	REAR CUSHION		1				
019	213282-7	O-RING 17		1				
020	158772-2	DRIVER COMPLETE		1				
022	421994-0	VALVE SEAT		1				
023	331743-6	CYLINDER STAY		1				
024	331742-8	CYLINDER		1	*			
024-1	331946-2	CYLINDER	<	1	*			
024-2	326759-4	CYLINDER	<	1				
025	213462-5	O RING 33		1				
026	213405-7	O RING 26		1	*			
026-1	213643-1	O RING 26	O	1				
027	162249-1	TOP CAP GASKET		1				
028	865250-2	AT450H NAME PLATE		1				
029	819333-0	MAKITA LOGO LABEL R		1				
031	819334-8	MAKITA LOGO LABEL L		1				
033	188650-2	HOUSING SET		1				
C10	816919-1	INDICATION LABEL		1				
D10		INC. 29,31						
034	421992-4	FRONT CUSHION		1				
035	213491-8	O RING 31		1	*			
035-1	213990-0	O-RING 31.5	O	1				
036	213034-6	O RING 3		1				
037	165512-1	DRIVER GUIDE COMPLETE		1				
038	266369-4	HEX SOCKET HEAD BOLT M5X20		4				
039	951078-5	SPRING PIN 3-32		1				
040	951078-5	SPRING PIN 3-32		1				
041	951078-5	SPRING PIN 3-32		1				
042	951069-6	SPRING PIN 3-20		1	*			
042-1	258033-1	SPRING PIN 3-22	O	1				

Model No. AT450H FLOOR STAPLER

Item	Parts No.	Description	I/C	Qty	N/O	Opt. 1	Opt. 2	Note
043	413105-1	INLET FILTER		1				
044	213521-5	O RING 36		1	*			
044-1	213506-1	O RING 36	O	1				
045	318108-9	INLET CAP		1				
046	286280-4	CAP 9		1				
047	243105-5	ONE-TOUCH JOINT H22PM		1				
048	265570-8	HEX.SOCKET HEAD BOLT M5X28		1				
049	267343-5	FLAT WASHER 5		1				
050	265176-2	PAN.HD.SCREW M5X22		1				
051	419843-3	HOOK		1				
052	162255-6	HOOK BASE		1				
053	931202-6	HEX. NUT M5		1				
054	158748-9	MAGAZINE COVER COMPLETE		1				
C10	807342-1	AT450H MAGAZINE LABEL		1				
C20	810418-5	CAUTION LABEL		1				
055	163492-5	SPIRAL SPRING		1				
056	951116-3	SPRING PIN 4-20		1				
057	345971-7	FRONT UPPER GUIDE		1				
058	922117-8	HEX. SOCKET HEAD BOLT M4X12		2				
059	922117-8	HEX. SOCKET HEAD BOLT M4X12		2				
060	310287-9	FRONT GUIDE		1				
061	345968-6	STOP LEVER		1				
062	310278-0	STOPPER PIN		1				
063	234076-7	COMPRESSION SPRING 2		1	*			
063-1	234256-5	COMPRESSION SPRING 2	<	1				
065	310272-2	STOPPER HOLDER		1				
066	234075-9	COMPRESSION SPRING 2		1				
067	266076-9	HEX. SOCKET HEAD BOLT M5X10		1				
068	345969-4	PUSHER GUIDE PLATE		1				
069	345967-8	MAGAZINE STOPPER		1				
071	168523-5	MAGAZINE STAY COMPLETE		1	*			
071-1	168743-1	MAGAZINE STAY COMPLETE	S	1				
073	931102-0	HEX. NUT M4		2				
074	265490-6	HEX. SOCKET HEAD BOLT M4X16		2	*			
074-1	266761-4	HEX. SOCKET HEAD BOLT M4X18	S	2				
075	213999-2	O-RING 2		2				
076	345970-9	PUSHER BASE		1				
077	233529-3	TORSION SPRING 4		1				
078	345980-6	PUSHER R		1				
079	324928-1	PIN 3		1				
080	324928-1	PIN 3		1				
081	233529-3	TORSION SPRING 4		1				
082	345979-1	PUSHER L		1				
098	213233-0	O-RING 15		1				
099	213275-4	O RING 18		1				
100	419732-2	TRIGGER VALVE GUIDE		1				
101	213968-3	O-RING 7		2				
102	419733-0	PILOT VALVE		1	*			

Model No. AT450H FLOOR STAPLER

Item	Parts No.	Description	I/C	Qty	N/O	Opt. 1	Opt. 2	Note
102-1	456262-2	PILOT VALVE	<	1				
103	213185-5	O-RING 12.5		1				
104	233485-7	COMPRESSION SPRING 4		1				
105	213034-6	O RING 3		1	*			
105-1	213044-3	O RING 3	S	1				
106	324743-3	TRIGGER VALVE STEM		1	*			
106-1	326189-9	TRIGGER VALVE STEM	S	1				
107	213979-8	O-RING 3		2	*			
107-1	213640-7	O-RING 3	S	2				
108	213275-4	O RING 18		1				
109	331741-0	TRIGGER VALVE CASE		1				
110	194736-2	AIR LEAK REPAIR SET		1				
D10		INC. 16,98,99,101,103,105,107						
D20		INC. 108						
111	233501-5	TORSION SPRING 5		1				
112	310199-6	STOPPER PLATE		1				
113	233502-3	TORSION SPRING 6		1	*			
113-1	233576-4	TORSION SPRING 6	<	1				
114	310310-0	LEVER		1				
115	216024-8	STEEL BALL 4		1	*			
115-1	326144-1	LOCK PIN	<	1				
116	233490-4	COMPRESSION SPRING 2		1				
117	419743-7	SPRING COVER		1				
118	268168-0	PIN 3		1				
119	268168-0	PIN 3		1				
120	951007-8	SPRING PIN 2-12		1				
121	310294-2	TRIGGER		1				
122	231699-2	TORSION SPRING 4		1				
123	310196-2	TRIP LEVER		1				
124	310198-8	LEVER		1				
125	233503-1	TORSION SPRING 4		1				
126	419844-1	TRIGGER BASE		1				
127	135231-3	TRIGGER ASSY		1	*			
D10		INC. 111-126			*			
127-1	135494-1	TRIGGER ASSY	O	1				
D10		INC. 111-126						
128	310293-4	CHANGE ROD		1				
129	233489-9	COMPRESSION SPRING 6		1				
130	951010-9	SPRING PIN 2-14		1				
131	310201-5	ADJUSTER PIECE		1				
132	345972-5	CONTACT ARM		1				
133	310277-2	UPPER YOKE		1				
134	324745-9	ADJUSTER SHAFT		1				
135	233491-2	COMPRESSION SPRING 2		1				
136	216031-1	STEEL BALL 2.3		1				
137	158747-1	ADJUSTER COMPLETE		1				
140	951010-9	SPRING PIN 2-14		1				
141	135210-1	ADJUSTER ASSY		1				

