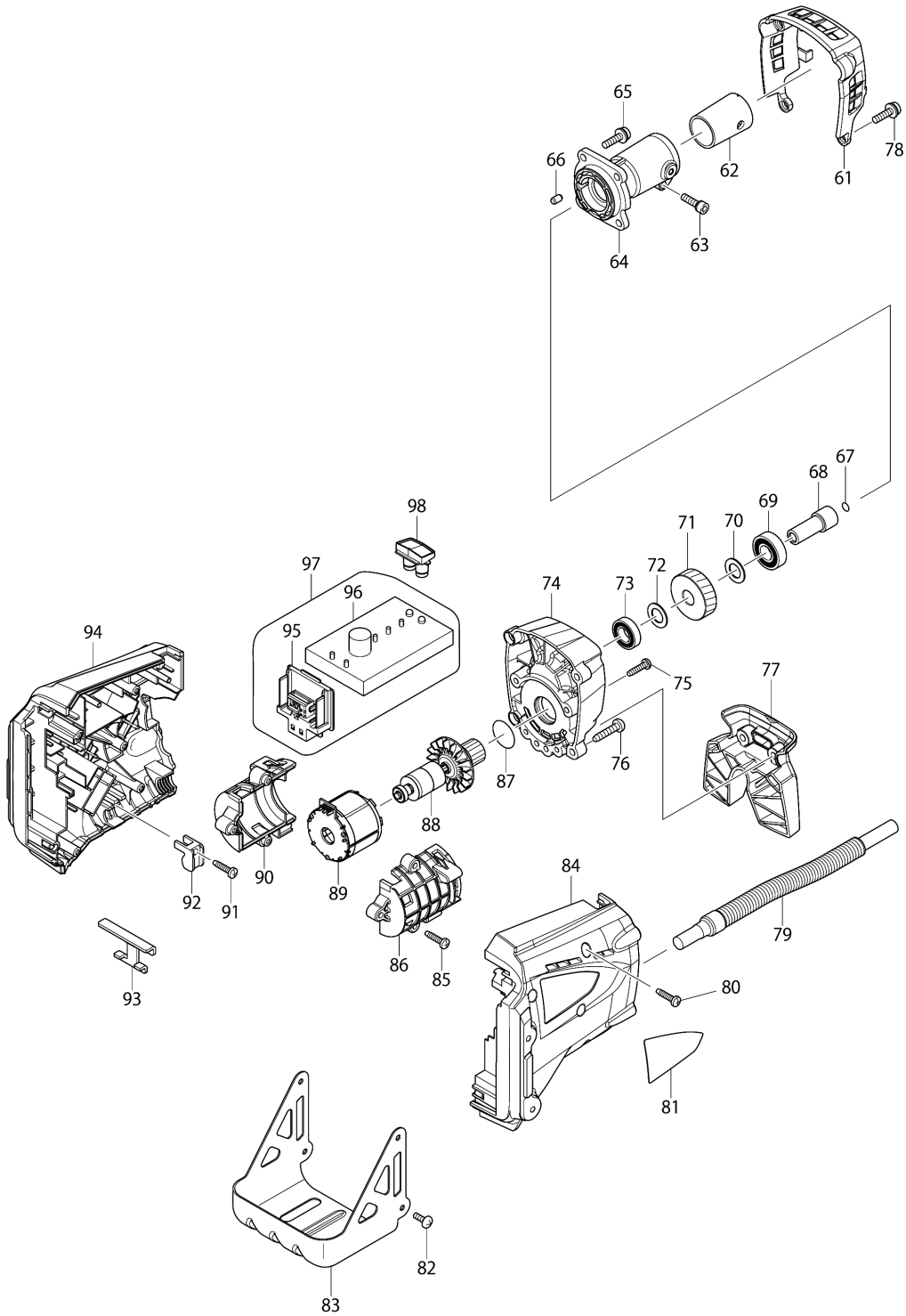




Model No.AT3631 300MM CORDLESS STRING TRIMMER



Model No.AT3631 300MM CORDLESS STRING TRIMMER

| Item   | Parts No. | Description              | I/C | Qty | New/Old | Opt. 1 | Opt. 2 | Note |
|--------|-----------|--------------------------|-----|-----|---------|--------|--------|------|
| 001    | 265995-6  | TAPPING SCREW 4X18       |     | 8   |         |        |        |      |
| 002    | 188840-7  | GRIP SET                 |     | 1   |         |        |        |      |
| D10    |           | INC. 15                  |     |     |         |        |        |      |
| 003    | 922228-9  | H.S.H.BOLT M5X18 WITH WR |     | 1   |         |        |        |      |
| 004    | 265995-6  | TAPPING SCREW 4X18       |     | 1   |         |        |        |      |
| 005    | 687261-5  | STRAIN RELIEF            |     | 1   |         |        |        |      |
| 006    | 451983-1  | LOCK OFF BUTTON          |     | 1   |         |        |        |      |
| 007    | 233054-4  | COMPRESSION SPRING 4     |     | 2   |         |        |        |      |
| 008    | 651533-4  | SWITCH SLE6A2-33         |     | 1   |         |        |        |      |
| 009    | 451984-9  | SWITCH LEVER             |     | 1   |         |        |        |      |
| 010    | 451986-5  | INDICATOR                |     | 1   |         |        |        |      |
| 011    | 216018-3  | STEEL BALL 5.0           |     | 1   |         |        |        |      |
| 012    | 233211-4  | COMPRESSION SPRING 2     |     | 1   |         |        |        |      |
| 013    | 650630-3  | SWITCH TGR3-3            |     | 1   |         |        |        |      |
| 014    | 686015-7  | RECEPTACLE SLEEVE        |     | 1   |         |        |        |      |
| 015    | 188840-7  | GRIP SET                 |     | 1   |         |        |        |      |
| D10    |           | INC. 2                   |     |     |         |        |        |      |
| 016    | 451982-3  | LINK PLATE               |     | 1   |         |        |        |      |
| 017    | 451985-7  | LEAD COVER               |     | 1   |         |        |        |      |
| 024    | 195215-3  | LOOP HANDLE SET          |     | 1   |         |        |        |      |
| C10    | 783014-1  | + SCREW DRIVER 2         |     | 1   |         |        |        |      |
| D10    |           | INC. 25-27               |     |     |         |        |        |      |
| 025    | 451598-4  | LOOP HANDLE 24           |     | 1   |         |        |        |      |
| 026    | 451599-2  | HANDLE CLAMP 24          |     | 1   |         |        |        |      |
| 027    | 911253-5  | PAN HEAD SCREW M5X30     |     | 4   |         |        |        |      |
| 028    | 168478-4  | HANGER                   |     | 1   |         |        |        |      |
| 029    | 922228-9  | H.S.H.BOLT M5X18 WITH WR |     | 1   |         |        |        |      |
| 031G   | 141097-1  | SHAFT PIPE COMPLETE      |     | 1   | *       |        |        |      |
| C10    | 810558-9  | CAUTION LABEL            |     | 1   | *       |        |        |      |
| C20    | 893388-3  | DOLMAR LOGO LABEL        |     | 1   | *       |        |        |      |
| 031H   | 141097-1  | SHAFT PIPE COMPLETE      |     | 1   | *       |        |        |      |
| C10    | 810558-9  | CAUTION LABEL            |     | 1   | *       |        |        |      |
| C20    | 893388-3  | DOLMAR LOGO LABEL        |     | 1   | *       |        |        |      |
| 031-1G | 141890-3  | SHAFT PIPE COMPLETE      | <   | 1   |         |        |        |      |
| C10    | 810558-9  | CAUTION LABEL            |     | 1   |         |        |        |      |
| C20    | 893388-3  | DOLMAR LOGO LABEL        |     | 1   |         |        |        |      |
| C30    | 808723-2  | CAUTION LABEL            |     | 1   |         |        |        |      |
| 031-1H | 141890-3  | SHAFT PIPE COMPLETE      | <   | 1   |         |        |        |      |
| C10    | 810558-9  | CAUTION LABEL            |     | 1   |         |        |        |      |
| C20    | 893388-3  | DOLMAR LOGO LABEL        |     | 1   |         |        |        |      |
| C30    | 808723-2  | CAUTION LABEL            |     | 1   |         |        |        |      |
| 031-1J | 141890-3  | SHAFT PIPE COMPLETE      |     | 1   |         |        |        |      |

Please order the parts with part number.

Print Date 26/9/2021

Model No.AT3631 300MM CORDLESS STRING TRIMMER

| Item   | Parts No. | Description                 | I/C | Qty | New/Old | Opt. 1 | Opt. 2 | Note |
|--------|-----------|-----------------------------|-----|-----|---------|--------|--------|------|
| C10    | 810558-9  | CAUTION LABEL               |     | 1   |         |        |        |      |
| C20    | 893388-3  | DOLMAR LOGO LABEL           |     | 1   |         |        |        |      |
| C30    | 808723-2  | CAUTION LABEL               |     | 1   |         |        |        |      |
| 035    | 325812-3  | SHAFT                       |     | 1   |         |        |        |      |
| 036    | 922218-2  | H.S.H.BOLT M5X14 WITH WR    |     | 2   |         |        |        |      |
| 037G   | 125791-3  | GEAR CASE ASSY              |     | 1   | *       |        |        |      |
| D10    |           | INC. 40-44,46,49,50         |     |     | *       |        |        |      |
| 037H   | 125791-3  | GEAR CASE ASSY              |     | 1   | *       |        |        |      |
| D10    |           | INC. 40-44,46,49,50         |     |     | *       |        |        |      |
| 037-1G | 125556-3  | GEAR CASE ASSEMBLY          | S   | 1   | *       |        |        |      |
| C10    | 346084-7  | CLAMP WASHER                |     | 1   | *       |        |        |      |
| C20    | 168526-9  | CUP                         |     | 1   | *       |        |        |      |
| C30    | 264025-0  | HEX. NUT M10-17             |     | 1   | *       |        |        |      |
| D10    |           | INC. 40-44,46,49-51         |     |     | *       |        |        |      |
| 037-1H | 125556-3  | GEAR CASE ASSEMBLY          | S   | 1   | *       |        |        |      |
| C10    | 346084-7  | CLAMP WASHER                |     | 1   | *       |        |        |      |
| C20    | 168526-9  | CUP                         |     | 1   | *       |        |        |      |
| C30    | 264025-0  | HEX. NUT M10-17             |     | 1   | *       |        |        |      |
| D10    |           | INC. 40-44,46,49-51         |     |     | *       |        |        |      |
| 037-1J | 125556-3  | GEAR CASE ASSEMBLY          |     | 1   | *       |        |        |      |
| C10    | 346084-7  | CLAMP WASHER                |     | 1   | *       |        |        |      |
| C20    | 168526-9  | CUP                         |     | 1   | *       |        |        |      |
| C30    | 264025-0  | HEX. NUT M10-17             |     | 1   | *       |        |        |      |
| D10    |           | INC. 40-44,46,49-51         |     |     | *       |        |        |      |
| 037-2  | 123833-7  | GEAR CASE ASSEMBLY          | S   | 1   |         |        |        |      |
| C10    | 346084-7  | CLAMP WASHER                |     | 1   |         |        |        |      |
| C20    | 168526-9  | CUP                         |     | 1   |         |        |        |      |
| C30    | 264025-0  | HEX. NUT M10-17             |     | 1   |         |        |        |      |
| D10    |           | INC. 40-42,44,46,49-51      |     |     |         |        |        |      |
| 040    | 210049-4  | BALL BEARING 609ZZ          |     | 1   | *       |        |        |      |
| 040-1  | 210157-1  | BALL BEARING 609ZZ          | O   | 1   |         |        |        |      |
| 041    | 961005-4  | RETAINING RING S-9          |     | 1   | *       |        |        |      |
| 041-1  | 257986-1  | RETAINING RING (EXT) S-9    | O   | 1   |         |        |        |      |
| 042    | 962103-7  | RETAINING RING R-24         |     | 1   | *       |        |        |      |
| 042-1  | 257987-9  | RETAINING RING (INT)R-24    | O   | 1   |         |        |        |      |
| 043    | 922241-7  | HEX. SOCKET HEAD BOLT M5X25 |     | 1   |         |        |        |      |
| 044    | 265590-2  | +HEX.BOLT M8X10 WITH R      |     | 1   |         |        |        |      |
| 046    | 188902-1  | CUTTER SHAFT SET            |     | 1   | *       |        |        |      |
| 046-1  | 183A00-2  | CUTTER SHAFT SET            | O   | 1   | *       |        |        |      |
| 046-2  | 183K10-9  | CUTTER SHAFT SET            | O   | 1   |         |        |        |      |
| 049    | 210115-7  | BALL BEARING 6001LLU        |     | 1   |         |        |        |      |
| 050    | 962106-1  | RETAINING RING R-28         |     | 1   | *       |        |        |      |

Please order the parts with part number.

Print Date 26/9/2021

Model No.AT3631 300MM CORDLESS STRING TRIMMER

| Item   | Parts No. | Description                    | I/C | Qty | New/Old | Opt. 1 | Opt. 2 | Note |
|--------|-----------|--------------------------------|-----|-----|---------|--------|--------|------|
| 050-1  | 257407-3  | RETAINING RING (INT)R-28       | O   | 1   |         |        |        |      |
| 051G   | 331861-0  | RECEIVE WASHER                 |     | 1   | *       |        |        |      |
| 051H   | 331861-0  | RECEIVE WASHER                 |     | 1   | *       |        |        |      |
| 051-1G | 331861-0  | RECEIVE WASHER                 | O   | 1   | *       |        |        |      |
| 051-1H | 331861-0  | RECEIVE WASHER                 | O   | 1   | *       |        |        |      |
| 051-1J | 331861-0  | RECEIVE WASHER                 |     | 1   | *       |        |        |      |
| 051-2  | 326821-5  | RECEIVE WASHER                 | O   | 1   |         |        |        |      |
| 055    | 451566-7  | PROTECTOR                      |     | 1   |         |        |        |      |
| 056    | 451565-9  | PROTECTOR COVER                |     | 1   |         |        |        |      |
| 057    | 213105-9  | O RING 11                      |     | 2   |         |        |        |      |
| 058    | 346073-2  | PROTECTOR CLAMP                |     | 1   |         |        |        |      |
| 059    | 922353-6  | HEX.SOCKET HEAD BOLT<br>M6X30  |     | 2   |         |        |        |      |
| 060    | 911233-1  | PAN HEAD SCREW M5X20           |     | 1   |         |        |        |      |
| 061    | 451981-5  | GEAR BOX COVER                 |     | 1   |         |        |        |      |
| 062    | 424307-4  | PIPE RUBBER                    |     | 1   |         |        |        |      |
| 063    | 922231-0  | HEX. SOCKET HEAD BOLT<br>M5X20 |     | 1   |         |        |        |      |
| 064    | 318560-1  | PIPE BRACKET                   |     | 1   |         |        |        |      |
| 065    | 911233-1  | PAN HEAD SCREW M5X20           |     | 4   |         |        |        |      |
| 066    | 263002-9  | RUBBER PIN 4                   |     | 1   |         |        |        |      |
| 067    | 213045-1  | O-RING 6                       |     | 1   |         |        |        |      |
| 068    | 325811-5  | SPINDLE HUB                    |     | 1   |         |        |        |      |
| 069    | 211148-5  | BALL BEARING 6001ZZ            |     | 1   |         |        |        |      |
| 070    | 253744-3  | FLAT WASHER 12                 |     | 1   |         |        |        |      |
| 071    | 227720-3  | HELICAL GEAR 33                |     | 1   |         |        |        |      |
| 072    | 253744-3  | FLAT WASHER 12                 |     | 1   |         |        |        |      |
| 073    | 211150-8  | BALL BEARING 6901ZZ            |     | 1   |         |        |        |      |
| 074    | 318559-6  | GEAR BOX                       |     | 1   |         |        |        |      |
| 075    | 265995-6  | TAPPING SCREW 4X18             |     | 4   |         |        |        |      |
| 076    | 266041-8  | TAPPING SCREW 5X25             |     | 4   |         |        |        |      |
| 077    | 451572-2  | STAND                          |     | 1   |         |        |        |      |
| 078    | 911233-1  | PAN HEAD SCREW M5X20           |     | 2   |         |        |        |      |
| 079    | 699047-5  | POWER SUPPLY CORD UNIT         |     | 1   |         |        |        |      |
| 080    | 265995-6  | TAPPING SCREW 4X18             |     | 5   |         |        |        |      |
| 081    | 869630-4  | AT-3631 NAME PLATE             |     | 1   |         |        |        |      |
| 082    | 251314-2  | + SCREW M4X12                  |     | 4   |         |        |        |      |
| 083    | 346194-0  | BATTERY GUARD                  |     | 1   |         |        |        |      |
| 084    | 188837-6  | HOUSING SET                    |     | 1   | *       |        |        |      |
| D10    |           | INC. 94                        |     |     | *       |        |        |      |
| 084-1  | 183B12-1  | HOUSING SET                    | <   | 1   | *       |        |        |      |
| D10    |           | INC. 94                        |     |     | *       |        |        |      |
| 084-2  | 183C18-5  | HOUSING SET                    | S   | 1   |         |        |        |      |

Model No.AT3631 300MM CORDLESS STRING TRIMMER

| Item  | Parts No. | Description                  | I/C | Qty | New/Old | Opt. 1 | Opt. 2 | Note |
|-------|-----------|------------------------------|-----|-----|---------|--------|--------|------|
| D10   |           | INC. 94                      |     |     |         |        |        |      |
| 085   | 265995-6  | TAPPING SCREW 4X18           |     | 3   |         |        |        |      |
| 086   | 188838-4  | MOTOR HOUSING SET            |     | 1   |         |        |        |      |
| D10   |           | INC. 90                      |     |     |         |        |        |      |
| 087   | 213961-7  | O RING 22                    |     | 1   |         |        |        |      |
| 088   | 619254-4  | ROTOR                        |     | 1   |         |        |        |      |
| 089   | 629880-1  | STATOR                       |     | 1   |         |        |        |      |
| 090   | 188838-4  | MOTOR HOUSING SET            |     | 1   |         |        |        |      |
| D10   |           | INC. 86                      |     |     |         |        |        |      |
| 091   | 265995-6  | TAPPING SCREW 4X18           |     | 1   |         |        |        |      |
| 092   | 687261-5  | STRAIN RELIEF                |     | 1   |         |        |        |      |
| 093   | 346039-2  | SUPPORT PLATE                |     | 1   |         |        |        |      |
| 094   | 188837-6  | HOUSING SET                  |     | 1   | *       |        |        |      |
| D10   |           | INC. 84                      |     |     | *       |        |        |      |
| 094-1 | 183B12-1  | HOUSING SET                  | <   | 1   | *       |        |        |      |
| D10   |           | INC. 84                      |     |     | *       |        |        |      |
| 094-2 | 183C18-5  | HOUSING SET                  | S   | 1   |         |        |        |      |
| D10   |           | INC. 84                      |     |     |         |        |        |      |
| 095   | 643849-1  | TERMINAL                     |     | 1   |         |        |        |      |
| 096   | 631942-3  | CONTROLLER                   |     | 1   | *       |        |        |      |
| 096-1 | 620496-5  | CONTROLLER                   | S   | 1   |         |        |        |      |
| 097   | 631941-5  | CONTROLLER COMPLETE          |     | 1   | *       |        |        |      |
| D10   |           | INC. 95,96                   |     |     | *       |        |        |      |
| 097-1 | 620497-3  | CONTROLLER COMPLETE          | S   | 1   |         |        |        |      |
| D10   |           | INC. 95,96                   |     |     |         |        |        |      |
| 098   | 140285-7  | INDICATION PLATE COMPLETE    |     | 1   |         |        |        |      |
| 100   | 265995-6  | TAPPING SCREW 4X18           |     | 1   |         |        |        |      |
| 101   | 346280-7  | CUTTER                       |     | 1   |         |        |        |      |
| 102   | 140583-9  | PROTECTOR EXTENSION COMPLETE |     | 1   |         |        |        |      |
| C10   | 891041-5  | INDICATION LABEL             |     | 1   |         |        |        |      |
| 103   | 451601-1  | SPACER 24                    |     | 1   |         |        |        |      |
| A01   | 195152-1  | TRIMMER HEAD 94-M10L SET D   |     | 1   |         |        |        |      |
| C10   | 141181-2  | HOUSING COMPLETE             |     | 1   |         |        |        |      |
| C20   | 318815-4  | NUT M10                      |     | 1   |         |        |        |      |
| C30   | 453227-5  | COVER                        |     | 1   |         |        |        |      |
| C40   | 234229-8  | COMPRESSION SPRING 13        |     | 1   |         |        |        |      |
| C50   | 453228-3  | BOBBIN                       |     | 1   |         |        |        |      |
| C60   | 318816-2  | EYE LET                      |     | 2   |         |        |        |      |
| C10   | 141181-2  | HOUSING COMPLETE             |     | 1   |         |        |        |      |
| C20   | 318815-4  | NUT M10                      |     | 1   |         |        |        |      |
| C30   | 453227-5  | COVER                        |     | 1   |         |        |        |      |

Please order the parts with part number.

Print Date 26/9/2021

Model No.AT3631 300MM CORDLESS STRING TRIMMER

| Item   | Parts No.  | Description             | I/C | Qty | New/Old | Opt. 1 | Opt. 2 | Note |
|--------|------------|-------------------------|-----|-----|---------|--------|--------|------|
| C40    | 234229-8   | COMPRESSION SPRING 13   |     | 1   |         |        |        |      |
| C50    | 453228-3   | BOBBIN                  |     | 1   |         |        |        |      |
| C60    | 318816-2   | EYE LET                 |     | 2   |         |        |        |      |
| C10    | 141181-2   | HOUSING COMPLETE        |     | 1   |         |        |        |      |
| C20    | 318815-4   | NUT M10                 |     | 1   |         |        |        |      |
| C30    | 453227-5   | COVER                   |     | 1   |         |        |        |      |
| C40    | 234229-8   | COMPRESSION SPRING 13   |     | 1   |         |        |        |      |
| C50    | 453228-3   | BOBBIN                  |     | 1   |         |        |        |      |
| C60    | 318816-2   | EYE LET                 |     | 2   |         |        |        |      |
| A02    | 125516-5   | BAND ASSEMBLY           |     | 1   |         |        |        |      |
| A03G   | 168526-9   | CUP                     |     | 1   | *       |        |        |      |
| A03H   | 168526-9   | CUP                     |     | 1   | *       |        |        |      |
| A04G   | 264025-0   | HEX. NUT M10-17         |     | 1   | *       |        |        |      |
| A04H   | 264025-0   | HEX. NUT M10-17         |     | 1   | *       |        |        |      |
| A05G   | 346084-7   | CLAMP WASHER            |     | 1   | *       |        |        |      |
| A05H   | 346084-7   | CLAMP WASHER            |     | 1   | *       |        |        |      |
| A06    | 782210-8   | SOCKET WRENCH 17        |     | 1   |         |        |        |      |
| A07    | 783202-0   | HEX. WRENCH 4           |     | 1   |         |        |        |      |
| A08    | 783217-7   | HEX. WRENCH 5           |     | 1   |         |        |        |      |
| A09    | 831315-2   | ACCESSORY BAG           |     | 1   |         |        |        |      |
| A10H   | ***LG-3622 | LG-3622 BATTERY CHARGER |     | 1   |         |        |        |      |
| A10J   | ***LG-3622 | LG-3622 BATTERY CHARGER |     | 1   |         |        |        |      |
| A11H   | 195412-1   | BATTERY AP-3622 SET     |     | 2   | *       |        |        |      |
| A11J   | 195412-1   | BATTERY AP-3622 SET     |     | 1   | *       |        |        |      |
| A11-1H | 195412-1   | BATTERY AP-3622 SET     | O   | 2   |         |        |        |      |
| A11-1J | 195412-1   | BATTERY AP-3622 SET     | O   | 1   |         |        |        |      |
| A12H   | 451153-2   | BATTERY COVER           |     | 1   |         |        |        |      |

Please order the parts with part number.

Print Date 26/9/2021